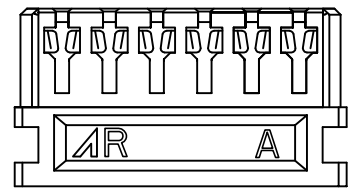
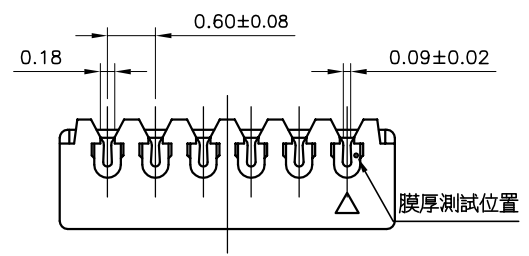
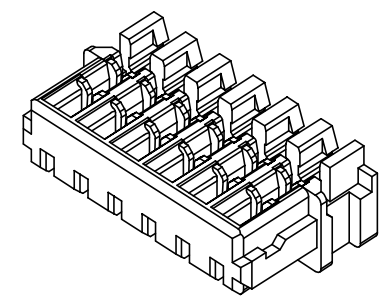
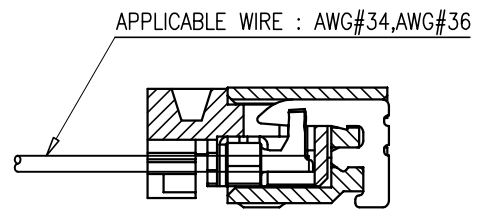
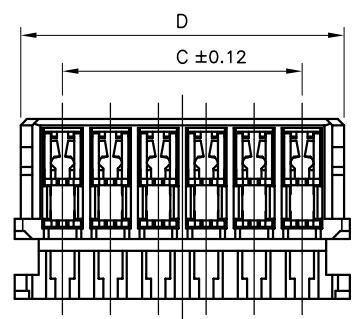
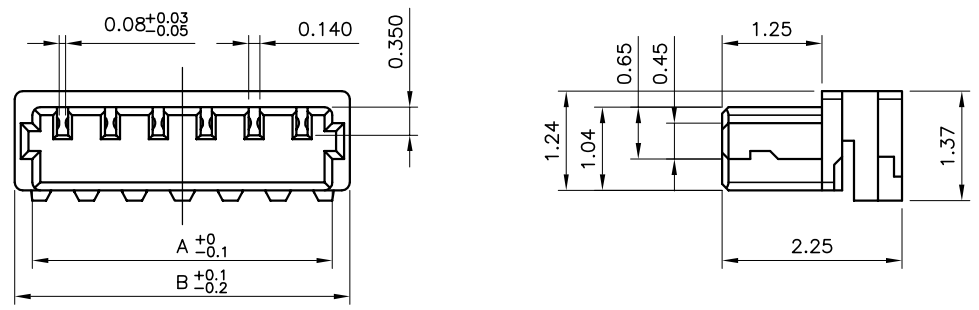


环保物料

TEL: 0769-82001899

NOTE:
 1.MATERIAL:
 Housing: ThermalPlastic (UL94V-0)
 Terminal: Copper Alloy
 Color: Natural
 2.SPECIFICATION:
 Current Rating: 0.2A AC,DC (AWG#36)
 0.3A AC,DC (AWG#34)
 Voltage Rating: 30V (AC,DC)
 Contact Resistance: Initial: 40mΩ max
 After environmental: 50mΩmax
 Insulator Resistance:Initial: 100MΩ min
 After environmental:100MΩ min
 Withstanding Voltage:200v AC for 1 minute
 Temperature Range: -25°C~85°C
 Applicable Wire: AWG #36; AWG#34
 Insulation O.D.: $\phi 0.29 \pm 0.02$ mm(AWG#36)
 $\phi 0.32 \pm 0.02$ mm(AWG#34)



3.Ordering Information:

M0611HI - XX X X X
 PIN NO. PACKING:
 0:TAPE&REEL
 1:TUBE
 WITHOUT "H" : WITH HALOGEN
 WITH "H" : HALOGEN FREE

B:BLACK
 N:NATURAL
 PLATING SPEC
 S:MATT Sn
 G:GOLD FLASH
 T:GOLD 3U"

CIRCUITS	DIMENSION			
	A	B	C	D
2	1.36	1.80	0.60	1.65
4	2.56	3.00	1.80	2.85
5	3.16	3.60	2.40	3.45
6	3.76	4.20	3.00	4.05
8	4.96	5.40	4.20	5.25
10	6.16	6.60	5.40	6.45
12	7.36	7.80	6.60	7.65
16	9.76	10.20	9.00	10.05

				TOLERANCE UNLESS OTHERWISE		DRAWN	CK tan	XFCN兴飞连接器有限公司 CONNECTORS XFCN CONNECTORS CO., LTD.		SHEET	1/1
				X.	±0.30	X°	±5°			CHKD	DATE
				.X	±0.20	.X°	±2°	APPD	PRODUCT NAME	0.60mm IDC Style Connectors	
				.XX	±0.08	.XX°	±1°	VIEW	PART. NO.	M0611HI-XX-GB	
				.XXX	±0.03	.XXX°	±0.5°			DWG NO.	009
AO	MODIFICATION	DRAW	DATE								

X-ON Electronics

Largest Supplier of Electrical and Electronic Components

Click to view similar products for [Headers & Wire Housings](#) category:

Click to view products by [XFCN](#) manufacturer:

Other Similar products are found below :

[95000-104TRLF](#) [10135584-644402LF](#) [DF62W-EP2022PCA](#) [95000-106TRLF](#) [DF62W-2022SCA](#) [DF62W-EP2022PC](#) [2203348](#) [DF62W-2022SC](#) [1084018](#) [1029039](#) [1084017](#) [802-10-012-10-002000](#) [1112640](#) [1112639](#) [891-007-9SS-BST1T](#) [000-34000](#) [0008550134](#) [0009482033](#) [0009507031](#) [57102-F02-18ULF](#) [57102-S06-03LF](#) [57202-S52-04LF](#) [PCN6-15S-2.5E](#) [0039019024](#) [58102-G61-06LF](#) [582553-1](#) [0009485154](#) [0009508121](#) [0022285053](#) [0050291907](#) [018731A](#) [LY20-4P-DT1-P1E-BR](#) [02.125.8002.8](#) [60101931](#) [60598-1 \(Cut Strip\)](#) [M1625-3R/100](#) [61062-3](#) [61082-181009](#) [CSU011177004](#) [636-1427](#) [638009-1](#) [641938-9](#) [641991-4](#) [644168-1](#) [644827-2](#) [647662-1](#) [65039-019ELF](#) [65692-001LF](#) [65781-018](#) [65781-047](#)