

环保物料

TEL: 0769-82001899

SPECIFICATIONS

- 1.Voltage rating: 30V AC, DC
- 2.Current rating: 0.5A, AC, DC
- 3.Withstanding Voltage: 200V AC/minute
- 4.Insulation resistance:100MΩ min
- 5.Temperature range: -25° C-+85° C
- 6.Contact resistance: 20mΩ max

WAFER

Housing Material: LCP UL94V-0

Pin Material: Phosphor Bronze or Brass

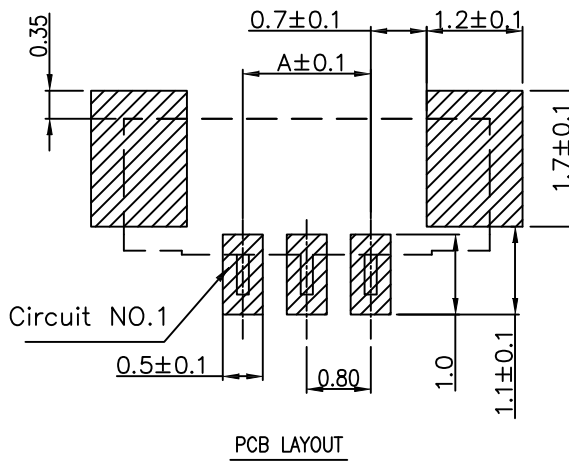
Contact Area Plating: Plated Tin or Plated Gold

Mates with :M0800HI series Housing

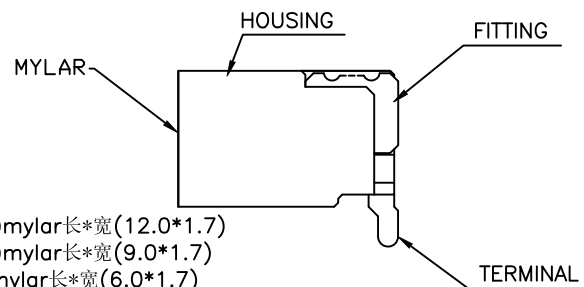
Poles:02-20P

Part No.: M0800VS-xx-GN

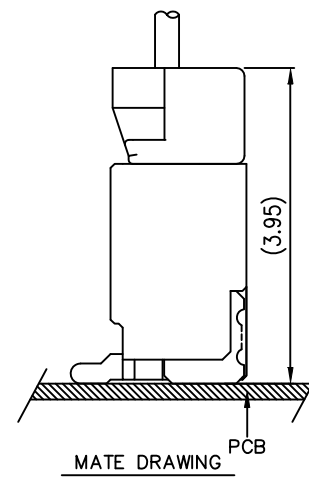
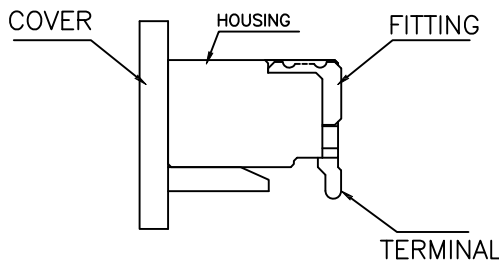
Pin位数



PCB LAYOUT



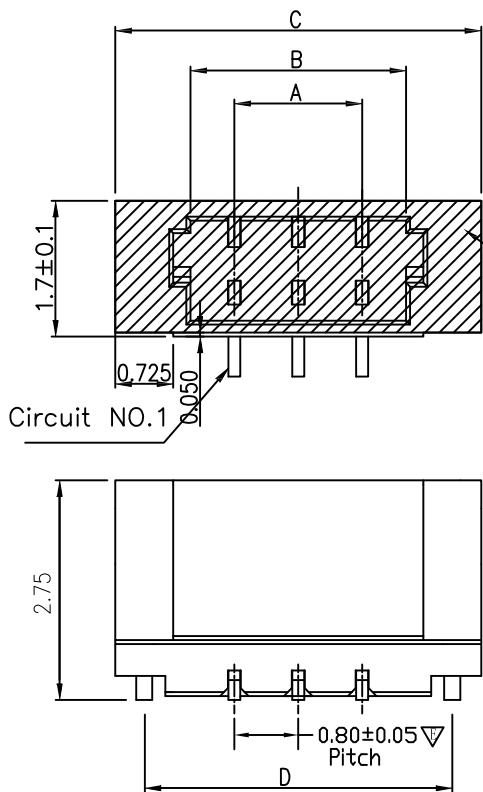
- (15~20pin)mylar长*宽(12.0*1.7)
- (11~15pin)mylar长*宽(9.0*1.7)
- (6~10pin)mylar长*宽(6.0*1.7)
- (2~5pin)mylar长*宽(3.0*1.7)



MATE DRAWING

CKT	Dim A	Dim B	Dim C	Dim D
2	0.8	1.9	3.78	3.04
3	1.6	2.7	4.58	3.84
4	2.4	3.5	5.38	4.64
5	3.2	4.3	6.18	5.44
6	4	5.1	6.98	6.24
7	4.8	5.9	7.78	7.04
8	5.6	6.7	8.58	7.84
9	6.4	7.5	9.38	8.64
10	7.2	8.3	10.18	9.44
11	8	9.1	10.98	10.24
12	8.8	9.9	11.78	11.04
13	9.6	10.7	12.58	11.84
14	10.4	11.5	13.38	12.64
15	11.2	12.3	14.18	13.44
16	12	13.1	14.98	14.24
17	12.8	13.9	15.78	15.04
18	13.6	14.7	16.58	15.84
19	14.4	15.5	17.38	16.64
20	15.2	16.3	18.18	17.44

注：产品5Pin以下使用MYLAR，5Pin及以上Pin数产品使用盖子或MYLAR依料号编码决定。



Circuit NO.1

0.80±0.05 Pitch

				TOLERANCE UNLESS OTHERWISE		DRAWN		CK tan		SHEET		1/1	
				X. ±0.30 X° ±5°		CHKD				DATE		2020.04.12	
				.X ±0.20 .X° ±2°		APPD		PRODUCT NAME		UNITS		mm	
				.XX ±0.08 .XX° ±1°		VIEW		PART. NO.		SCALE		1:1	
AO				.XXX ±0.03 .XXX° ±0.5°		⊕		M0800VS-xx-GN		DWG. NO.		009	
VER		MODIFICATION		DRAW		DATE							

XFCN 兴飞连接器有限公司
XFCN CONNECTORS CO.,LTD.

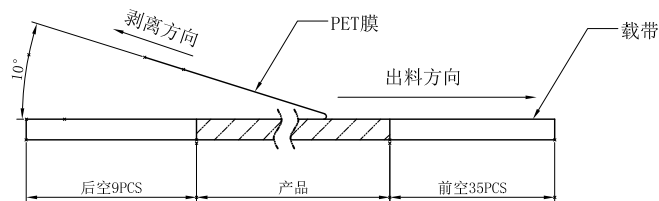
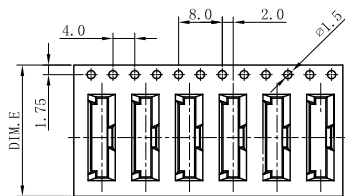
0.80mm IDC Style Connectors

M0800VS-xx-GN

环保物料

TEL:0769-82001899

产品引出方向

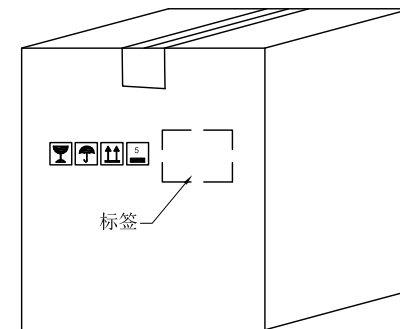
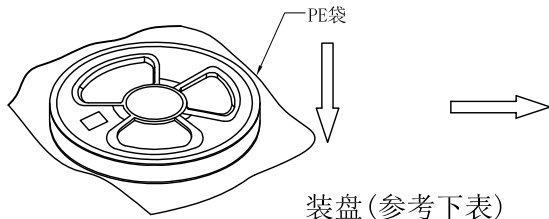
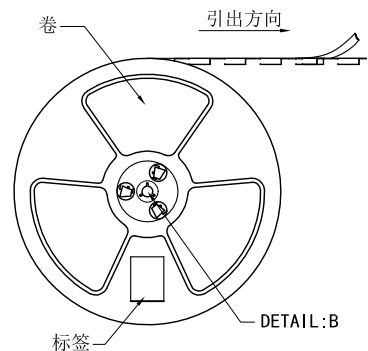


(PET膜剥离示意图)

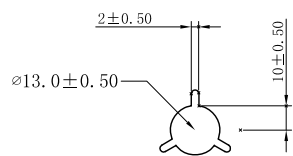
包装说明:

1. 把成品包入卷盘中, 每盘装2000PCS; 卷盘上贴上标签, 将装好产品的卷盘放入PE袋中真空封装后放进外箱中, 外箱上贴上标签;
2. 所有材料有害物控制需符合RoHS标准.

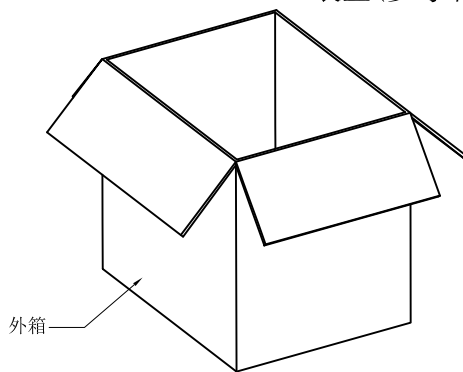
02-17 CONTACTS



纸箱规格:355*355*340



DETAIL:B



CKT.	DimD	DimE	Q'ty/Reel	Packing (Reel/Caton)
02~07	-	16	2000PCS	14/Reel
08~17	-	24	2000PCS	10/Reel

TOLERANCE UNLESS OTHERWISE

X.	±0.30	X°	±5°
.X	±0.20	.X°	±2°
.XX	±0.08	.XX°	±1°
.XXX	±0.03	.XXX°	±0.5°

DRAWN CK tan

CHKD	
APPD	
VIEW	

XFCN 兴飞连接器有限公司
XFCN CONNECTORS CO.,LTD.

PRODUCT NAME 0.80mm IDC Style Connectors

PART. NO. M0800VS-xx-P

SHEET 1/1

DATE 2020.04.12

UNITS mm

SCALE 1:1

DWG NO. 009

AO

VER

MODIFICATION

DRAW

DATE

X-ON Electronics

Largest Supplier of Electrical and Electronic Components

Click to view similar products for [Headers & Wire Housings](#) category:

Click to view products by [XFCN](#) manufacturer:

Other Similar products are found below :

[57102-F02-18ULF](#) [58102-G61-06LF](#) [582553-1](#) [009176003701906](#) [01.001.5753.1](#) [0050291907](#) [02.125.8002.8](#) [609-3404](#) [61062-3](#)
[CSU011177004](#) [622-0430](#) [622-3653LF](#) [63453-116](#) [636-1030](#) [636-1427](#) [636-3427](#) [636-4007](#) [641938-9](#) [644827-2](#) [65495-038](#) [65692-001LF](#)
[65781-018](#) [65781-047](#) [65817-010LF](#) [65817-015LF](#) [66207-023LF](#) [67095-007LF](#) [67601157](#) [68631-112](#) [68645-018](#) [699319-000](#)
[M90C108951C](#) [70.362.1628.0](#) [70-4210](#) [70-4226B](#) [70-4853B](#) [707-5028](#) [71.350.2428.0](#) [71961-016LF](#) [733-134](#) [733-162](#) [754199-000](#) [760-](#)
[3052](#) [80.063.4001.1](#) [800-90-001-10-001000](#) [800-90-010-10-002000](#) [801-43-002-10-013000](#) [801-43-006-10-002000](#) [803-41-018-10-001000](#)
[803-43-024-10-001000](#)