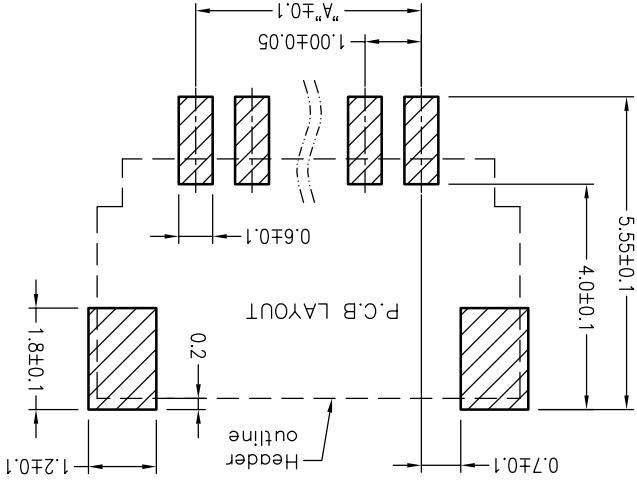
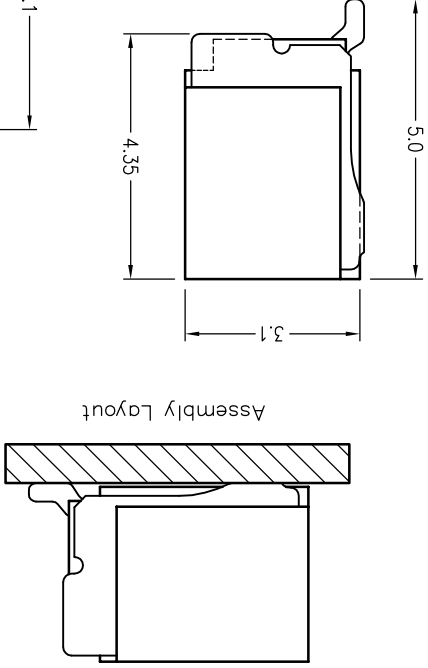
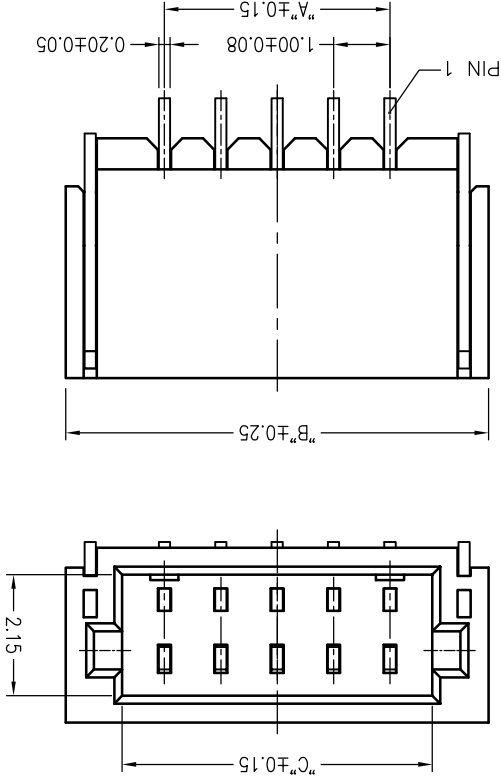


Pole	DIM. A	DIM. B	DIM. C
2P	1.0	4.5	2.6
3P	2.0	5.5	3.6
4P	3.0	6.5	4.6
5P	4.0	7.5	5.6
6P	5.0	8.5	6.6
7P	6.0	9.5	7.6
8P	7.0	10.5	8.6
9P	8.0	11.5	9.6
10P	9.0	12.5	10.6
11P	10.0	13.5	11.6
12P	11.0	14.5	12.6
13P	12.0	15.5	13.6
14P	13.0	16.5	14.6
15P	14.0	17.5	15.6
16P	15.0	18.5	16.6
17P	16.0	19.5	17.6
18P	17.0	20.5	18.6
19P	18.0	21.5	19.6
20P	19.0	22.5	20.6



■ 技术参数 SPECIFICATIONS

- ◆ 适用线规: AWC#28~#32
 - ◆ 额定电压: 50V DC/AC(rms)
 - ◆ 额定电流: 1A (AWG #28)
 - ◆ 额定电压: 50V DC/AC(rms)
 - ◆ 额定电流: 1A (AWG #28)
 - ◆ 耐压值: 500V AC/minute
 - ◆ withstand voltage: 500V AC/min.
 - ◆ 工作温度: -25°C ~ +85°C
 - ◆ Working Temp : -25°C ~ +85°C
 - ◆ 绝缘电阻: ≥100 MΩ
 - ◆ Insulation resistance: ≥100 MΩ
 - ◆ 接触电阻: ≤20mΩ
 - ◆ Contact resistance: ≤20mΩ
- 材料 MATERIAL
- ◆ 绝缘体: 尼龙9T, UL94-V0
 - ◆ 绝缘体: PA9T, UL94-V0
 - ◆ 接触针: 磷铜
 - ◆ 接触PIN: 磷铜
 - ◆ 焊片: 磷铜
 - ◆ Solder tab: Phosphor bronze

XFCN 兴飞连接器有限公司
CONNECTORS XFCN CONNECTORS CO., LTD.

PRODUCT NAME 1.00mm Crimp Style Connectors

PART. NO. M1010RS-XX-XXX

DWG NO. 009

SCALE 1:1

UNITS mm

DATE 2010.4.12

SHEET 1/1

TOLERANCE UNLESS OTHERWISE

CK tan

CHKD

APPD

VIEW

DATE

.XXX ±0.03

.XX ±0.08

.X ±0.20

X ±0.30

±0.5°

±1°

±2°

±5°

±0.5°

±0.5°

±0.5°

±0.5°

±0.5°

±0.5°

±0.5°

±0.5°

±0.5°

±0.5°

±0.5°

±0.5°

±0.5°

±0.5°

±0.5°

±0.5°

±0.5°

±0.5°

±0.5°

±0.5°

±0.5°

±0.5°

±0.5°

±0.5°

±0.5°

±0.5°

±0.5°

±0.5°

±0.5°

±0.5°

±0.5°

±0.5°

±0.5°

±0.5°

±0.5°

±0.5°

±0.5°

±0.5°

±0.5°

±0.5°

±0.5°

±0.5°

±0.5°

±0.5°

X-ON Electronics

Largest Supplier of Electrical and Electronic Components

Click to view similar products for [Headers & Wire Housings](#) category:

Click to view products by [XFCN](#) manufacturer:

Other Similar products are found below :

[95000-104TRLF](#) [10135584-644402LF](#) [DF62W-EP2022PCA](#) [95000-106TRLF](#) [DF62W-2022SCA](#) [DF62W-EP2022PC](#) [2203348](#) [DF62W-2022SC](#) [1084018](#) [1029039](#) [1084017](#) [802-10-012-10-002000](#) [1112640](#) [1112639](#) [891-007-9SS-BST1T](#) [000-34000](#) [0008550134](#) [0009482033](#) [0009507031](#) [57102-F02-18ULF](#) [57102-S06-03LF](#) [57202-S52-04LF](#) [PCN6-15S-2.5E](#) [0039019024](#) [58102-G61-06LF](#) [582553-1](#) [0009485154](#) [0009508121](#) [0022285053](#) [0050291907](#) [018731A](#) [LY20-4P-DT1-P1E-BR](#) [02.125.8002.8](#) [60101931](#) [60598-1 \(Cut Strip\)](#) [M1625-3R/100](#) [61062-3](#) [61082-181009](#) [CSU011177004](#) [636-1427](#) [638009-1](#) [641938-9](#) [641991-4](#) [644168-1](#) [644827-2](#) [647662-1](#) [65039-019ELF](#) [65692-001LF](#) [65781-018](#) [65781-047](#)