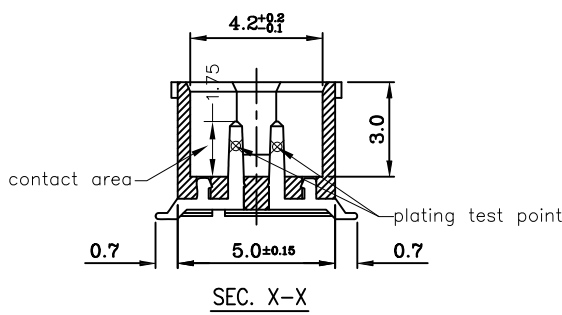
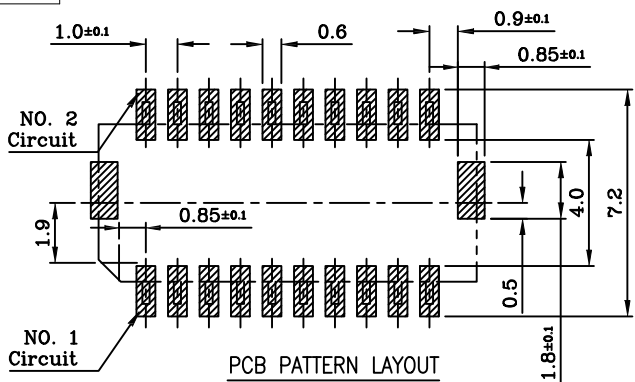


环保物料

TEL: 0769-82001899

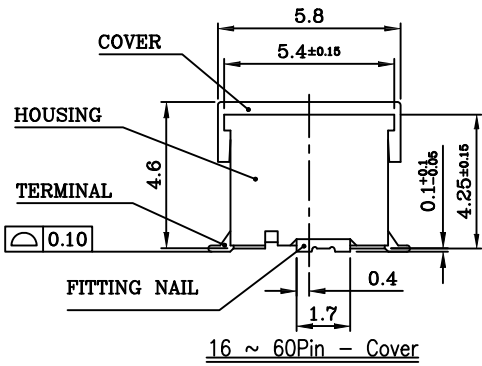
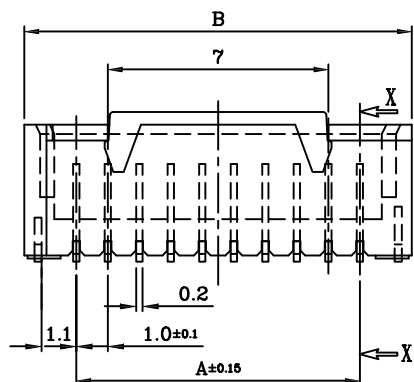
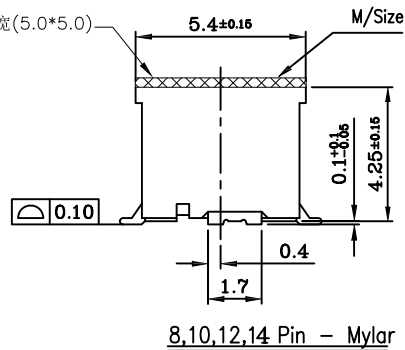
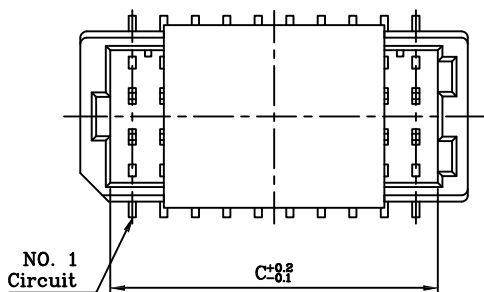


SPECIFICATIONS

- 1. Voltage rating: 50V AC, DC
- 2. Current rating: 1A, AC, DC
- 3. Withstanding Voltage: 500V AC/minute
- 4. Insulation resistance: 100M min
- 5. Temperature range: -25 °C +85 °C
- 6. Contact resistance: 20m max

WAFER
 Housing Material: PA9T/6T UL 94V0
 Pin Material: Phosphor Bronze or Brass
 Contact Area Plating: Plated Tin or Plated Gold
 Mates with :P1010 series Housing
 Poles: 08-60P
 Part No.: M1010VS-2xXXX

Pin位数



| CKT | Dim A | Dim B | Dim C |
|-----|-------|-------|-------|
| 8 | 3.0 | 6.3 | 4.4 |
| 10 | 4.0 | 7.3 | 5.4 |
| 12 | 5.0 | 8.3 | 6.4 |
| 14 | 6.0 | 9.3 | 7.4 |
| 16 | 7.0 | 10.3 | 8.4 |
| 18 | 8.0 | 11.3 | 9.4 |
| 20 | 9.0 | 12.3 | 10.4 |
| 24 | 11.0 | 14.3 | 12.4 |
| 28 | 13.0 | 16.3 | 14.4 |
| 30 | 14.0 | 17.3 | 15.4 |
| 34 | 16.0 | 19.3 | 17.4 |
| 40 | 19.0 | 22.3 | 20.4 |
| 50 | 24.0 | 27.3 | 25.4 |
| 60 | 29.0 | 32.3 | 30.4 |

Without Date Code

TOLERANCE UNLESS OTHERWISE

| | | | |
|------|-------|-------|-------|
| X. | ±0.30 | X° | ±5° |
| .X | ±0.20 | .X° | ±2° |
| .XX | ±0.08 | .XX° | ±1° |
| .XXX | ±0.03 | .XXX° | ±0.5° |

DRAWN CK tan

CHKD

APPD

VIEW

XFCN 兴飞连接器有限公司
 XFCN CONNECTORS CO.,LTD.

PRODUCT NAME 1.00mm Crimp Style Connectors

PART. NO. M1010VS-2xXXX

SHEET 1/1

DATE 2020. 04. 12

UNITS mm

SCALE 1:1

DWG NO. 009

AO

VER

MODIFICATION

DRAW

DATE

1 2 3 4 5 6 7 8 9 10

X-ON Electronics

Largest Supplier of Electrical and Electronic Components

Click to view similar products for [Headers & Wire Housings](#) category:

Click to view products by [XFCN](#) manufacturer:

Other Similar products are found below :

[0015917161](#) [0022155065](#) [57102-F02-18ULF](#) [58102-G61-06LF](#) [582553-1](#) [01.001.5753.1](#) [0050291907](#) [02.125.8002.8](#) [609-3404](#) [61062-3](#)
[CSU011177004](#) [622-0430](#) [622-3653LF](#) [63453-116](#) [636-1030](#) [636-1427](#) [636-3427](#) [636-4007](#) [641938-9](#) [65495-038](#) [65692-001LF](#) [65781-018](#)
[65781-047](#) [65817-010LF](#) [65817-015LF](#) [67095-007LF](#) [67601157](#) [68631-112](#) [68645-018](#) [699319-000](#) [70.362.1628.0](#) [70-4210](#) [70-4226B](#) [70-](#)
[4853B](#) [71.350.2428.0](#) [733-134](#) [733-162](#) [760-3052](#) [MHR-64-VUAL](#) [80.063.4001.1](#) [800-90-001-10-001000](#) [801-43-002-10-013000](#)
[801-43-006-10-002000](#) [803-43-024-10-001000](#) [803-93-012-10-001000](#) [8-1437020-4](#) [819-22-004-30-001101](#) [820-22-006-30-001101](#)
[820-22-008-30-001101](#) [821-22-002-10-001101](#)