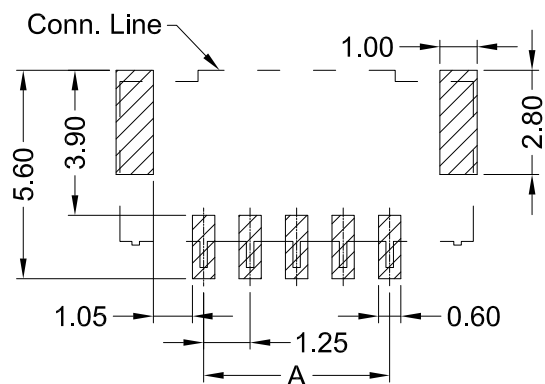
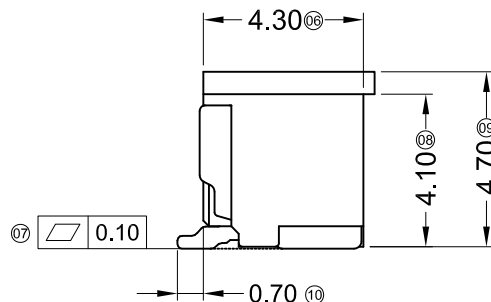
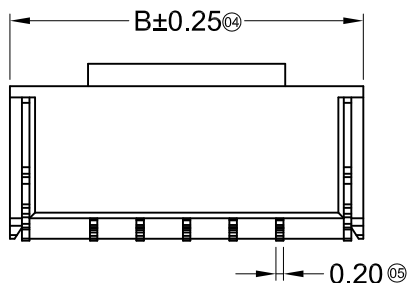


■ Specifications :

- Voltage rating: 50V AC / DC
- Current rating: 1A AC / DC
- Withstanding voltage: 500V AC/minute
- Temperature range: -25°C~+85°C
- Insulation resistance: ≥100MΩ
- Contact resistance: ≤30mΩ
- After environmental testing: ≤50mΩ



Recommended P.C.B Layout  
General Tolerance±0.05

| Poles | Dimensions(mm) |       |       | Poles | Dimensions(mm) |       |       |
|-------|----------------|-------|-------|-------|----------------|-------|-------|
|       | A              | B     | C     |       | A              | B     | C     |
| 02    | 1.25           | 5.75  | 3.75  | 09    | 10.00          | 14.50 | 12.50 |
| 03    | 2.50           | 7.00  | 5.00  | 10    | 11.25          | 15.75 | 13.75 |
| 04    | 3.75           | 8.25  | 6.25  | 11    | 12.50          | 17.00 | 15.00 |
| 05    | 5.00           | 9.50  | 7.50  | 12    | 13.75          | 18.25 | 16.25 |
| 06    | 6.25           | 10.75 | 8.75  | 13    | 15.00          | 19.50 | 17.50 |
| 07    | 7.50           | 12.00 | 10.00 | 14    | 16.25          | 20.75 | 18.75 |
| 08    | 8.75           | 13.25 | 11.25 | 15    | 17.50          | 22.00 | 20.00 |

|    |              |  |      |                            |       |       |        |   |              |                               |      |
|----|--------------|--|------|----------------------------|-------|-------|--------|---|--------------|-------------------------------|------|
|    |              |  |      | TOLERANCE UNLESS OTHERWISE |       | DRAWN | CK tan | XFCN兴飞连接器有限公司<br>CONNECTORS XFCN CONNECTORS CO., LTD. |              | SHEET                         | 1/1  |
|    |              |  |      | X.                         | ±0.30 | X°    | ±5°    |   |              | CHKD                          | DATE |
|    |              |  |      | .X                         | ±0.20 | .X°   | ±2°    | APPD  | PRODUCT NAME | 1.25mm Crimp Style Connectors |      |
|    |              |  |      | .XX                        | ±0.08 | .XX°  | ±1°    | VIEW  | PART. NO.    | M1257VS-XX-XXX                |      |
|    |              |  |      | .XXX                       | ±0.03 | .XXX° | ±0.5°  |   |              | UNITS                         | mm   |
|    |              |  |      |                            |       |       |        |   |              | SCALE                         | 1:1  |
|    |              |  |      |                            |       |       |        |   |              | DWG. NO.                      | 009  |
| A0 | MODIFICATION |  | DATE |                            |       |       |        |   |              |                               |      |

## X-ON Electronics

Largest Supplier of Electrical and Electronic Components

*Click to view similar products for [Headers & Wire Housings](#) category:*

*Click to view products by [XFCN](#) manufacturer:*

Other Similar products are found below :

[95000-104TRLF](#) [10135584-644402LF](#) [DF62W-EP2022PCA](#) [95000-106TRLF](#) [DF62W-2022SCA](#) [DF62W-EP2022PC](#) [2203348](#) [DF62W-2022SC](#) [1084018](#) [1029039](#) [1084017](#) [802-10-012-10-002000](#) [1112640](#) [1112639](#) [891-007-9SS-BST1T](#) [000-34000](#) [0008550134](#) [0009482033](#) [0009507031](#) [57102-F02-18ULF](#) [57102-S06-03LF](#) [57202-S52-04LF](#) [PCN6-15S-2.5E](#) [0039019024](#) [58102-G61-06LF](#) [582553-1](#) [0009485154](#) [0009508121](#) [0022285053](#) [0050291907](#) [018731A](#) [LY20-4P-DT1-P1E-BR](#) [02.125.8002.8](#) [60101931](#) [60598-1 \(Cut Strip\)](#) [M1625-3R/100](#) [61062-3](#) [61082-181009](#) [CSU011177004](#) [636-1427](#) [638009-1](#) [641938-9](#) [641991-4](#) [644168-1](#) [644827-2](#) [647662-1](#) [65039-019ELF](#) [65692-001LF](#) [65781-018](#) [65781-047](#)