

环保物料

TEL: 0769-82001899

SPECIFICATIONS

- 1.Voltage rating: 250V AC, DC
- 2.Current rating: 3A, AC, DC
- 3.Withstanding Voltage: 1000V AC/minute
- 4.Insulation resistance:1000M min
- 5.Temperature range: -25 °C~+85 °C
- 6.Contact resistance: 20m max

WAFER

Housing Material: Nylon66 UL94V-0

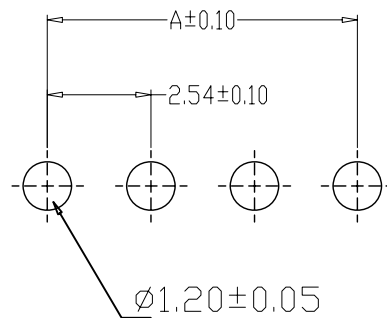
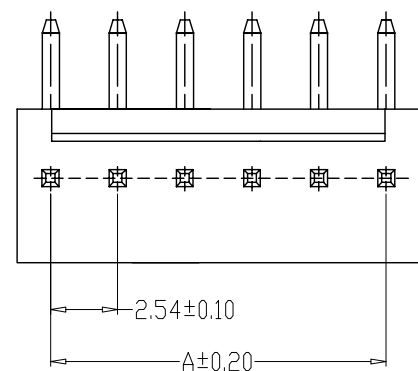
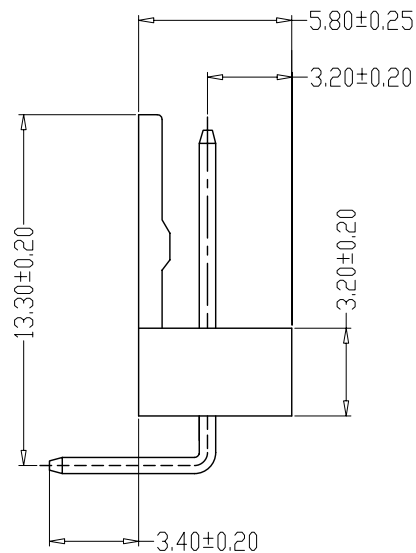
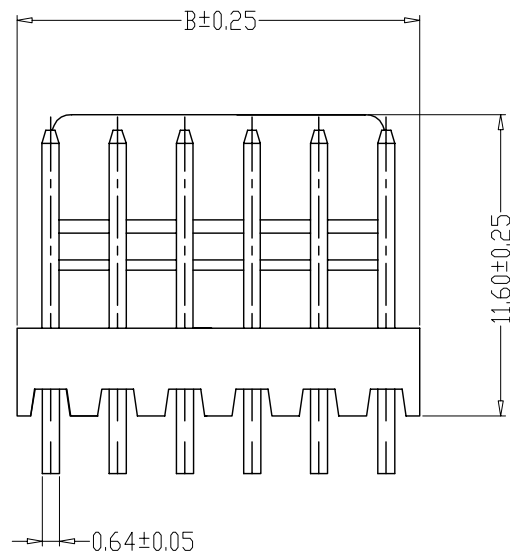
Pin Material: Phosphor Bronze or Brass

Contact Area Plating: Plated Tin or Plated Gold
Mates with :P2501 series Housing

Poles:02-15P

Part No.: M2510R-G-xxP

Pin位数



PCB LAYOUT

| 编 号 | 尺寸 (mm) | |
|-----|---------|-------|
| | A | B |
| 02 | 2.54 | 5.08 |
| 03 | 5.08 | 7.62 |
| 04 | 7.62 | 10.16 |
| 05 | 10.16 | 12.70 |
| 06 | 12.70 | 15.24 |
| 07 | 15.24 | 17.78 |
| 08 | 17.78 | 20.32 |
| 09 | 20.32 | 22.86 |
| 10 | 22.86 | 25.40 |
| 11 | 25.40 | 27.94 |
| 12 | 27.94 | 30.48 |
| 20 | 48.26 | 50.80 |

| | | | | | | | | | | |
|-----|--------------|--|--|----------------------------|------|--------------|--------|---|-------|------------|
| | | | | TOLERANCE UNLESS OTHERWISE | | DRAWN | CK tan | XFCN 兴飞连接器有限公司 XFCN CONNECTORS CO.,LTD. | SHEET | 1/1 |
| | | | | X. ±0.30 X° ±5° | CHKD | | | | DATE | 2020.04.12 |
| | | | | .X ±0.20 .X° ±2° | APPD | PRODUCT NAME | | | UNITS | mm |
| | | | | .XX ±0.08 .XX° ±1° | VIEW | PART. NO. | | | SCALE | 1:1 |
| AO | MODIFICATION | | | DRAW | DATE | | | DWG NO. | 009 | |
| VER | | | | | | | | | | |

X-ON Electronics

Largest Supplier of Electrical and Electronic Components

Click to view similar products for [Headers & Wire Housings](#) category:

Click to view products by [XFCN](#) manufacturer:

Other Similar products are found below :

[57102-F02-18ULF](#) [58102-G61-06LF](#) [582553-1](#) [009176003701906](#) [01.001.5753.1](#) [0050291907](#) [02.125.8002.8](#) [609-3404](#) [61062-3](#)
[CSU011177004](#) [622-0430](#) [622-3653LF](#) [63453-116](#) [636-1030](#) [636-1427](#) [636-3427](#) [636-4007](#) [641938-9](#) [644827-2](#) [65495-038](#) [65692-001LF](#)
[65781-018](#) [65781-047](#) [65817-010LF](#) [65817-015LF](#) [66207-023LF](#) [67095-007LF](#) [67601157](#) [68631-112](#) [68645-018](#) [699319-000](#)
[M90C108951C](#) [70.362.1628.0](#) [70-4210](#) [70-4226B](#) [70-4853B](#) [707-5028](#) [71.350.2428.0](#) [71961-016LF](#) [733-134](#) [733-162](#) [754199-000](#) [760-](#)
[3052](#) [80.063.4001.1](#) [800-90-001-10-001000](#) [800-90-010-10-002000](#) [801-43-002-10-013000](#) [801-43-006-10-002000](#) [803-41-018-10-001000](#)
[803-43-024-10-001000](#)