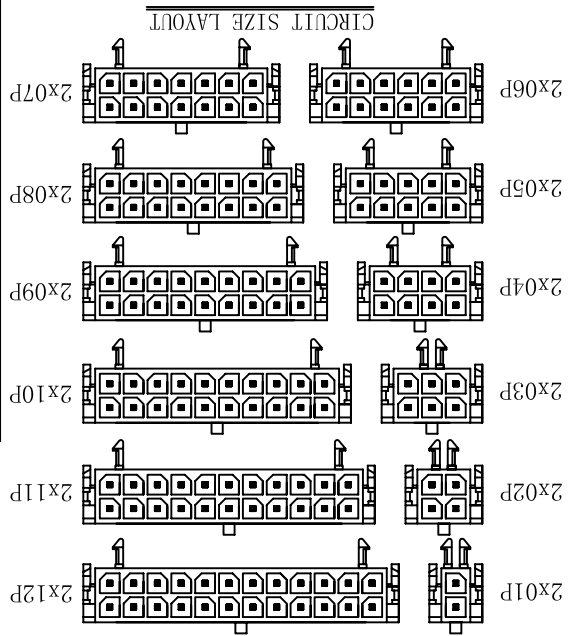
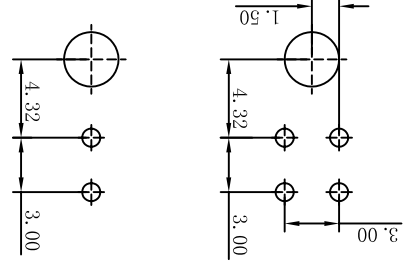
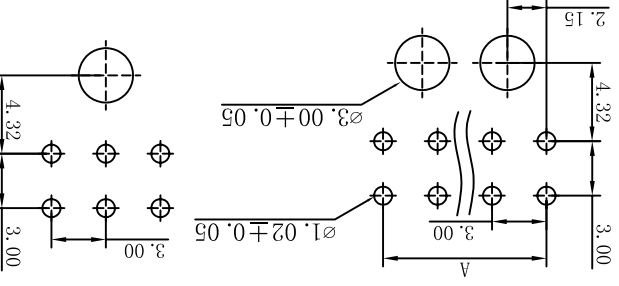
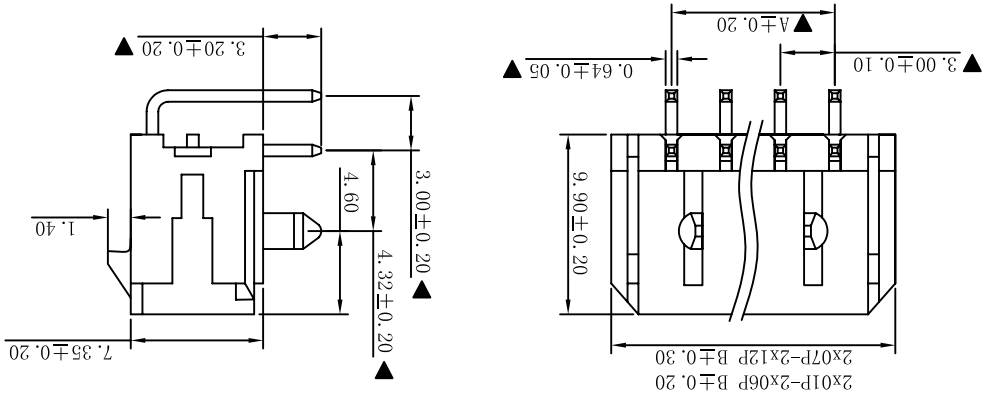
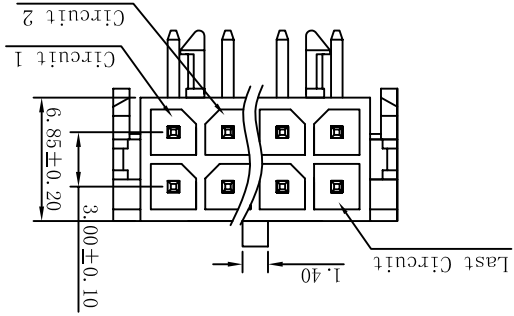
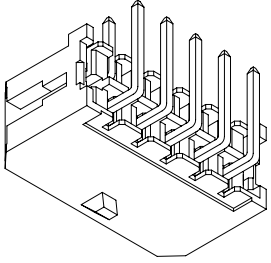


■ SPECIFICATIONS

- Voltage rating: 250V AC, DC
- Current rating: 5A, AC, DC
- Withstanding Voltage: 1500V AC/minute
- Insulation resistance: 1000M $\Omega$  min
- Temperature range: -25 $^{\circ}$ C~+85 $^{\circ}$ C
- Contact resistance: 20m $\Omega$  max
- WAFER
  - Poles : 02-24P
  - Housing Material: Nylon66 15%GF UL94V-0 Black
  - Pin Material: Brass
  - Contact Area Plating: Tin-Plated
  - The Dimension Marked "▲" Must Be Recorded



PART NO.	A	B	Dimensions (mm)
02	—	—	6.65
04	3.00	9.65	9.65
06	6.00	12.65	12.65
08	9.00	15.65	15.65
10	12.00	18.65	18.65
12	15.00	21.65	21.65
14	18.00	24.65	24.65
16	21.00	27.65	27.65
18	24.00	30.65	30.65
20	27.00	33.65	33.65
22	30.00	36.65	36.65
24	33.00	39.65	39.65

CIRCUIT SIZE LAYOUT

VER	MODIFICATION		DATE	DRAW	TOLERANCE UNLESS OTHERWISE	DRAWN	CK tan	DRAWN	VIEW	VIEW	PART. NO.	PRODUCT NAME	CONNECTIONS XFCN CONNECTORS CO., LTD.	SHEET	1/1
	A0														
					X. ±0.30	X. ±5 $^{\circ}$	CHKD		APPD			3.00mm Crimp Style Connectors		DATE	2010.4.12
					.X ±0.20	.X ±2 $^{\circ}$			SCALE	1:1		M3025R-2*XX-BK		DWG NO.	009
					.XX ±0.08	.XX ±1 $^{\circ}$			UNITS	mm					
					.XXX ±0.03	.XXX ±0.5 $^{\circ}$									

G

F

E

D

C

B

A

G

F

E

D

C

B

A

10

9

8

7

6

5

4

3

2

1

10

9

8

7

6

5

4

3

2

1

## X-ON Electronics

Largest Supplier of Electrical and Electronic Components

*Click to view similar products for [Headers & Wire Housings](#) category:*

*Click to view products by [XFCN](#) manufacturer:*

Other Similar products are found below :

[95000-104TRLF](#) [10135584-644402LF](#) [DF62W-EP2022PCA](#) [95000-106TRLF](#) [DF62W-2022SCA](#) [DF62W-EP2022PC](#) [2203348](#) [DF62W-2022SC](#) [1084018](#) [1029039](#) [1084017](#) [802-10-012-10-002000](#) [1112640](#) [1112639](#) [891-007-9SS-BST1T](#) [000-34000](#) [0008550134](#) [0009482033](#) [0009507031](#) [57102-F02-18ULF](#) [57102-S06-03LF](#) [57202-S52-04LF](#) [PCN6-15S-2.5E](#) [0039019024](#) [58102-G61-06LF](#) [582553-1](#) [0009485154](#) [0009508121](#) [0022285053](#) [0050291907](#) [018731A](#) [LY20-4P-DT1-P1E-BR](#) [02.125.8002.8](#) [60101931](#) [60598-1 \(Cut Strip\)](#) [M1625-3R/100](#) [61062-3](#) [61082-181009](#) [CSU011177004](#) [636-1427](#) [638009-1](#) [641938-9](#) [641991-4](#) [644168-1](#) [644827-2](#) [647662-1](#) [65039-019ELF](#) [65692-001LF](#) [65781-018](#) [65781-047](#)