

SPECIFICATIONS

1. Voltage rating: 250V AC, DC
2. Current rating: 7A, AC, DC
3. Withstanding Voltage: 1500V AC/minute
4. Insulation resistance: 1000M min
5. Temperature range: -25 °C ~ +85 °C
6. Contact resistance: 10m max

WAFER

Housing Material: Nylon UL 94V-0 (2)

Pin Material: Phosphor Bronze or Brass

Contact Area Plating: Plated Tin or Plated Gold

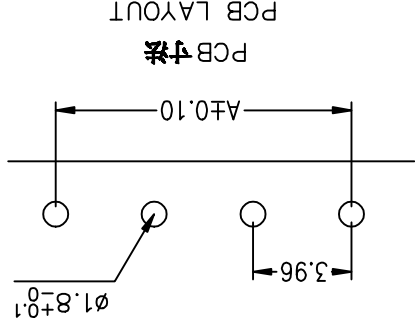
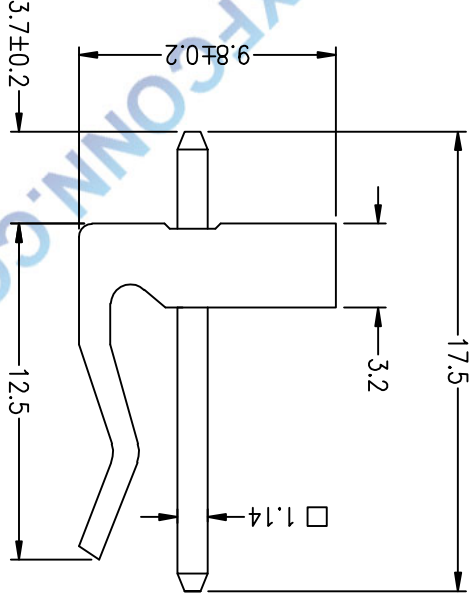
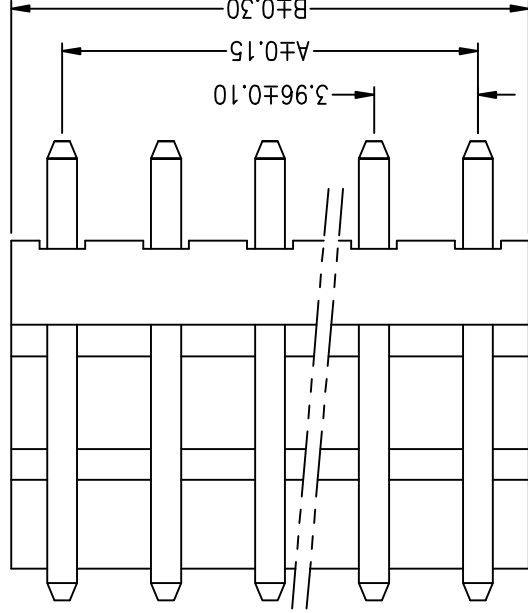
Mates with: P3961 series Housing or M3963 series headers

Poles: 02-16P

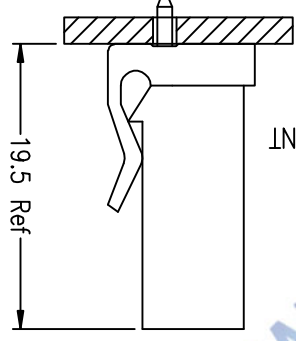
Part No.: M3961V-XX-N2

Pin位数

Poles	A	B
2	3.96	7.92
3	7.92	11.88
4	11.88	15.84
5	15.84	19.80
6	19.80	23.76
7	23.76	27.72
8	27.72	31.68
9	31.68	35.64
10	35.64	39.60
11	39.60	43.56
12	43.56	47.52
13	47.52	51.48
14	51.48	55.44
15	55.44	59.40
16	59.40	63.36



安装尺寸
MOUNTING MEASUREMENT



VER	MODIFICATION	DATE	XXX	±0.03	.XXX°	±0.5°	VIEW	VIEW	CK tan	DRAWN	TOLERANCE UNLESS OTHERWISE
A0			.XX	±0.08	.XX°	±1°	APPD				
			.X	±0.20	.X°	±2°	CHKD				
			X	±0.30	X°	±5°					

SHEET	DATE	UNITS	SCALE	DWG NO.
1/1	2010.4.12	mm	1:1	009

1	2	3	4	5	6	7	8	9	10
PRODUCT NAME	3.96mm Crimp Style Connectors	PART. NO.	M3961V-XX-N2	DWG NO.	009				
CONNECTIONS	XFCN兴飞连接器有限公司								
COMPANY	CONNECTORS XFCN CONNECTORS CO., LTD.								

X-ON Electronics

Largest Supplier of Electrical and Electronic Components

Click to view similar products for [Headers & Wire Housings](#) category:

Click to view products by [XFCN](#) manufacturer:

Other Similar products are found below :

[95000-104TRLF](#) [10135584-644402LF](#) [DF62W-EP2022PCA](#) [95000-106TRLF](#) [DF62W-2022SCA](#) [DF62W-EP2022PC](#) [2203348](#) [DF62W-2022SC](#) [1084018](#) [1029039](#) [1084017](#) [802-10-012-10-002000](#) [1112640](#) [1112639](#) [891-007-9SS-BST1T](#) [000-34000](#) [0008550134](#) [0009482033](#) [0009507031](#) [57102-F02-18ULF](#) [57102-S06-03LF](#) [57202-S52-04LF](#) [PCN6-15S-2.5E](#) [0039019024](#) [58102-G61-06LF](#) [582553-1](#) [0009485154](#) [0009508121](#) [0022285053](#) [0050291907](#) [018731A](#) [LY20-4P-DT1-P1E-BR](#) [02.125.8002.8](#) [60101931](#) [60598-1 \(Cut Strip\)](#) [M1625-3R/100](#) [61062-3](#) [61082-181009](#) [CSU011177004](#) [636-1427](#) [638009-1](#) [641938-9](#) [641991-4](#) [644168-1](#) [644827-2](#) [647662-1](#) [65039-019ELF](#) [65692-001LF](#) [65781-018](#) [65781-047](#)