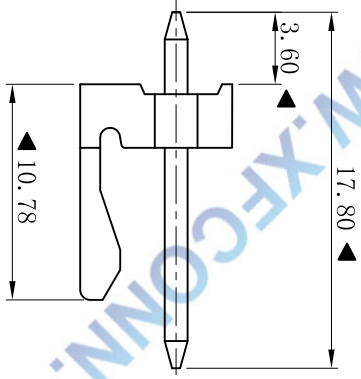
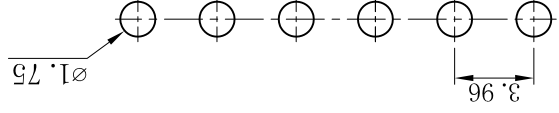
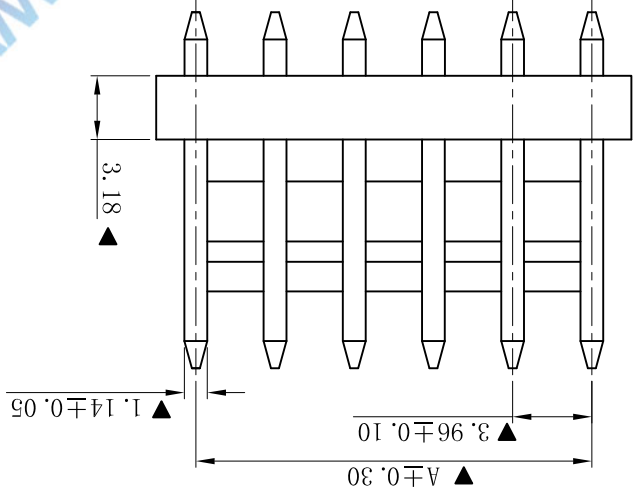
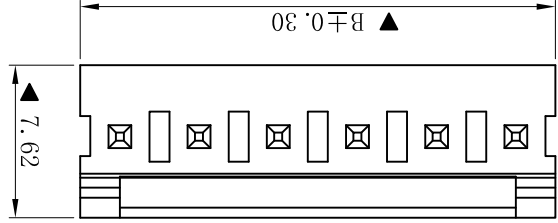


- SPECIFICATIONS
- Voltage rating: 250V AC, DC
 - Current rating: 5A, AC, DC
 - Withstanding Voltage: 1500V AC/minute
 - Insulation resistance: 1000M Ω min
 - Temperature range: -25 $^{\circ}$ C~+85 $^{\circ}$ C
 - Contact resistance: 20m Ω max



| Poles | | Dimensions(mm) | |
|-------|-------|----------------|-------|
| A | B | A | B |
| 02 | 3.96 | 7.92 | 7.92 |
| 03 | 7.92 | 11.88 | 11.88 |
| 04 | 11.88 | 15.84 | 15.84 |
| 05 | 15.84 | 19.80 | 19.80 |
| 06 | 19.80 | 23.76 | 23.76 |
| 07 | 23.76 | 27.72 | 27.72 |
| 08 | 27.72 | 31.68 | 31.68 |
| 09 | 31.68 | 35.64 | 35.64 |
| 10 | 35.64 | 39.60 | 39.60 |
| 11 | 39.60 | 43.56 | 43.56 |
| 12 | 43.56 | 47.52 | 47.52 |
| 13 | 47.52 | 51.48 | 51.48 |
| 14 | 51.48 | 55.44 | 55.44 |
| 15 | 55.44 | 59.40 | 59.40 |
| 16 | 59.40 | 63.36 | 63.36 |
| 17 | 63.36 | 67.32 | 67.32 |
| 18 | 67.32 | 71.28 | 71.28 |
| 19 | 71.28 | 75.24 | 75.24 |
| 20 | 75.24 | 79.20 | 79.20 |

| | | | | | | | | | | | | | | |
|--------------------------------------|--------------|--|--|------|-------|----------------------------|-----------------|------|------|------|-----------|---|----------------|-----------|
| VER A0 | MODIFICATION | | | DATE | DRAWN | TOLERANCE UNLESS OTHERWISE | DRAWN CK tan | CHKD | APPD | VIEW | PART. NO. | PRODUCT NAME 3.96mm Crimp Style Connectors | Dwg NO. 009 | VER A0 |
| | M3965V-XX-N0 | | | | | | | | | | | | | |
| XFCN 兴飞连接器有限公司 | | | | | | | | | | | | | | |
| CONNECTORS XFCN CONNECTORS CO., LTD. | | | | | | | | | | | | | | |
| UNITS mm | | | | | | | | | | | | | | |
| SCALE 1:1 | | | | | | | | | | | | | | |
| SHEET 1/1 | | | | | | | | | | | | | | |
| DATE 2010.4.12 | | | | | | | | | | | | | | |

X-ON Electronics

Largest Supplier of Electrical and Electronic Components

Click to view similar products for [Headers & Wire Housings](#) category:

Click to view products by [XFCN](#) manufacturer:

Other Similar products are found below :

[95000-104TRLF](#) [10135584-644402LF](#) [DF62W-EP2022PCA](#) [95000-106TRLF](#) [DF62W-2022SCA](#) [DF62W-EP2022PC](#) [2203348](#) [DF62W-2022SC](#) [1084018](#) [1029039](#) [1084017](#) [802-10-012-10-002000](#) [1112640](#) [1112639](#) [891-007-9SS-BST1T](#) [000-34000](#) [0008550134](#) [0009482033](#) [0009507031](#) [57102-F02-18ULF](#) [57102-S06-03LF](#) [57202-S52-04LF](#) [PCN6-15S-2.5E](#) [0039019024](#) [58102-G61-06LF](#) [582553-1](#) [0009485154](#) [0009508121](#) [0022285053](#) [0050291907](#) [018731A](#) [LY20-4P-DT1-P1E-BR](#) [02.125.8002.8](#) [60101931](#) [60598-1 \(Cut Strip\)](#) [M1625-3R/100](#) [61062-3](#) [61082-181009](#) [CSU011177004](#) [636-1427](#) [638009-1](#) [641938-9](#) [641991-4](#) [644168-1](#) [644827-2](#) [647662-1](#) [65039-019ELF](#) [65692-001LF](#) [65781-018](#) [65781-047](#)