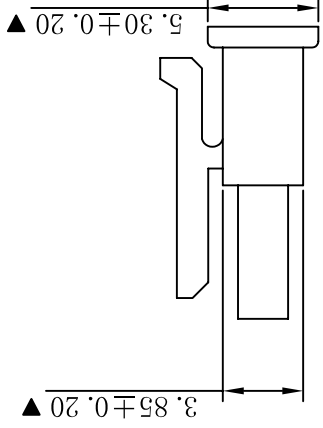
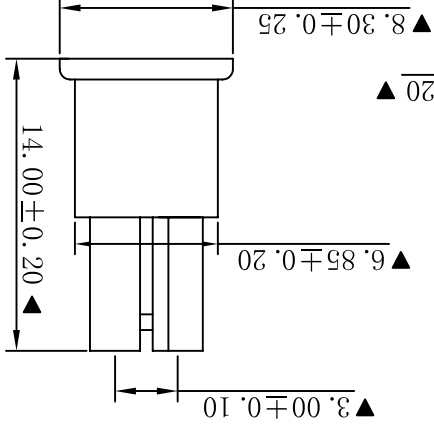
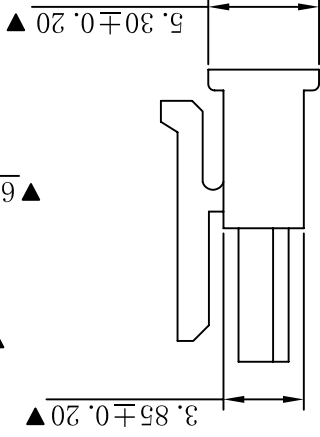
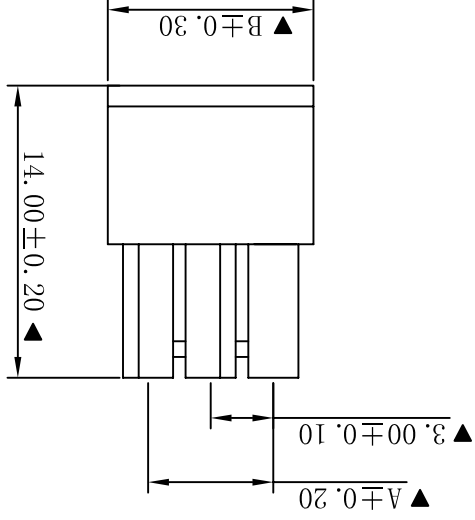
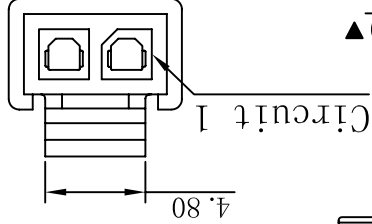
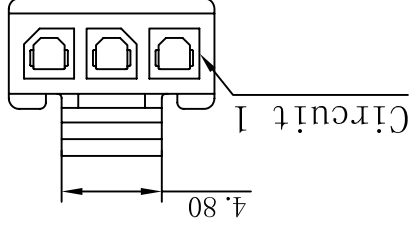
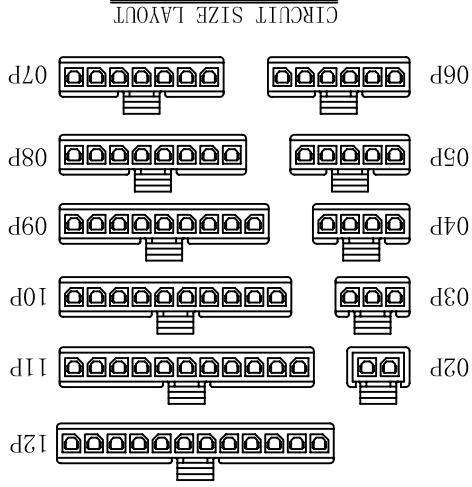
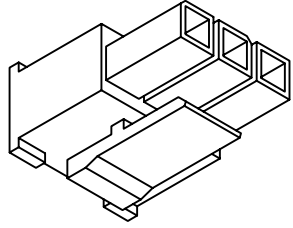


- SPECIFICATIONS
- Voltage rating: 250V AC, DC
 - Current rating: 5A, AC, DC
 - Withstanding Voltage: 1500V AC/minute
 - Insulation resistance: 1000M Ω min
 - Temperature range: -25 $^{\circ}$ C~+85 $^{\circ}$ C
 - Contact resistance: 20m Ω max
- HOUSING
- Poles : 02-12P
 - Housing Material: Nylon66 UL94V-2 Black
 - The Dimension Marked "▲" Must Be Recorded



| Part No | Dimensions (mm) |
|---------|-----------------|
| 02 | A |
| 03 | B |
| 04 | 3.00 |
| 05 | 6.00 |
| 06 | 9.00 |
| 07 | 12.00 |
| 08 | 15.00 |
| 09 | 18.00 |
| 10 | 21.00 |
| 11 | 24.00 |
| 12 | 27.00 |
| 13 | 30.00 |
| 14 | 33.00 |
| 15 | 36.00 |

| | | |
|----------------------------|-------|--------|
| TOLERANCE UNLESS OTHERWISE | DRAWN | CK tan |
| X. ±0.30 | CHKD | |
| .X. ±2. | APPD | |
| .XX ±1. | VIEW | |
| .XXX ±0.03 | VIEW | |

| | | |
|---------------------------------------|-------------------------------|---------------|
| CONNECTIONS XFCN CONNECTORS CO., LTD. | PRODUCT NAME | PART. NO. |
| XFCN 兴飞连接器有限公司 | 3.00mm Crimp Style Connectors | P3025-1XXX-BK |
| SHEET | DATE | DWG NO. |
| 1/1 | 2010.4.12 | 009 |

| | | |
|-----|--------------|------|
| VER | MODIFICATION | DATE |
| A0 | | |
| | | |
| | | |

X-ON Electronics

Largest Supplier of Electrical and Electronic Components

Click to view similar products for [Headers & Wire Housings](#) category:

Click to view products by [XFCN](#) manufacturer:

Other Similar products are found below :

[95000-104TRLF](#) [10135584-644402LF](#) [DF62W-EP2022PCA](#) [95000-106TRLF](#) [DF62W-2022SCA](#) [DF62W-EP2022PC](#) [2203348](#) [DF62W-2022SC](#) [1084018](#) [1029039](#) [1084017](#) [802-10-012-10-002000](#) [1112640](#) [1112639](#) [891-007-9SS-BST1T](#) [000-34000](#) [0008550134](#) [0009482033](#) [0009507031](#) [57102-F02-18ULF](#) [57102-S06-03LF](#) [57202-S52-04LF](#) [PCN6-15S-2.5E](#) [0039019024](#) [58102-G61-06LF](#) [582553-1](#) [0009485154](#) [0009508121](#) [0022285053](#) [0050291907](#) [018731A](#) [LY20-4P-DT1-P1E-BR](#) [02.125.8002.8](#) [60101931](#) [60598-1 \(Cut Strip\)](#) [M1625-3R/100](#) [61062-3](#) [61082-181009](#) [CSU011177004](#) [636-1427](#) [638009-1](#) [641938-9](#) [641991-4](#) [644168-1](#) [644827-2](#) [647662-1](#) [65039-019ELF](#) [65692-001LF](#) [65781-018](#) [65781-047](#)