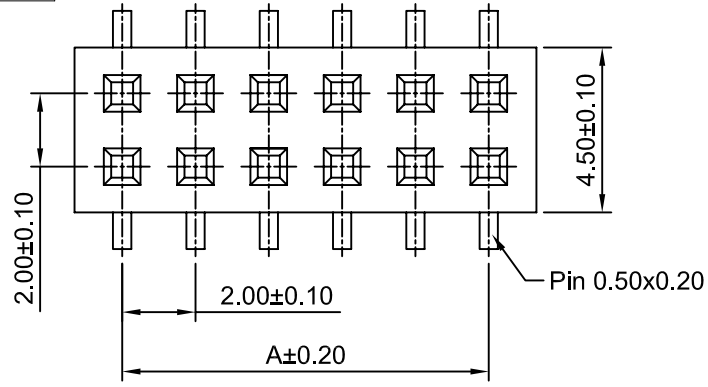


环保物料

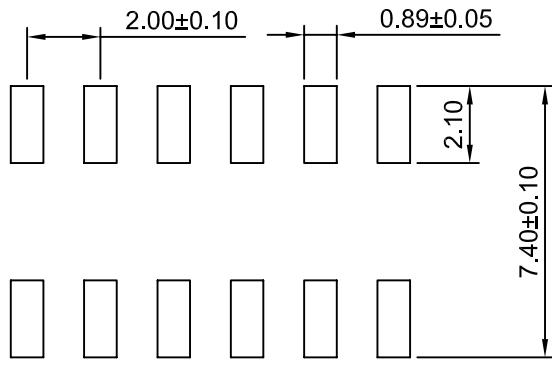
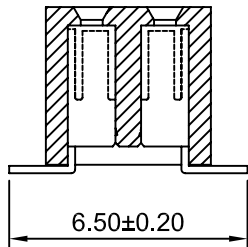
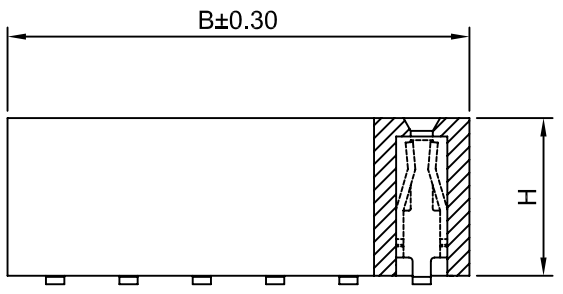
TEL: 0769-82001899



Ordering Information:
PM200VS-12-xx - XXX - XX
 1 2 3

1.Part No.
 2.Size(H):
 (blank):4.30mm
 H40: 4.00mm
 H46: 4.60mm
 3.Material:
 (blank):Nylon 6T,UL94V-0
 LCP: LCP,UL94V-0

SPECIFICATIONS:
 Current Rating: 2A AC,DC
 Voltage Rating: 250V AC,DC
 Temperature Range: -40°C ~ +105°C
 Contact Resistance: 20mΩ Max
 Insulation Resistance: 1000MΩ Min
 Withstanding Voltage: 500V AC/minute
 Pin Material: Phophor Bronze/Gold over Nickel
 Material: Nylon 6T,UL94V-0(Black)



PCB LAYOUT

Ordering Information & Dimensions

Circuits	Dim(mm)		Circuits	Dim(mm)		Circuits	Dim(mm)	
	A	B		A	B		A	B
2x2P	2.00	4.60	2x15P	28.00	30.60	2x28P	54.00	56.60
2x3P	4.00	6.60	2x16P	30.00	32.60	2x29P	56.00	58.60
2x4P	6.00	8.60	2x17P	32.00	34.60	2x30P	58.00	60.60
2x5P	8.00	10.60	2x18P	34.00	36.60	2x31P	60.00	62.60
2x6P	10.00	12.60	2x19P	36.00	38.60	2x32P	62.00	64.60
2x7P	12.00	14.60	2x20P	38.00	40.60	2x33P	64.00	66.60
2x8P	14.00	16.60	2x21P	40.00	42.60	2x34P	66.00	68.60
2x9P	16.00	18.60	2x22P	42.00	44.60	2x35P	68.00	70.60
2x10P	18.00	20.60	2x23P	44.00	46.60	2x36P	70.00	72.60
2x11P	20.00	22.60	2x24P	46.00	48.60	2x37P	72.00	74.60
2x12P	22.00	24.60	2x25P	48.00	50.60	2x38P	74.00	76.60
2x13P	24.00	26.60	2x26P	50.00	52.60	2x39P	76.00	78.60
2x14P	26.00	28.60	2x27P	52.00	54.60	2x40P	78.00	80.60

TOLERANCE UNLESS OTHERWISE

X.	±0.30	X°	±5°
.X	±0.20	.X°	±2°
.XX	±0.08	.XX°	±1°
.XXX	±0.03	.XXX°	±0.5°

DRAWN	CK tan
CHKD	
APPD	
VIEW	

XFCN 兴飞连接器有限公司
 XFCN CONNECTORS CO.,LTD.

PRODUCT NAME	2.00mm Female Header Connectors
PART. NO.	PM200VS-12-xx-H43

SHEET	1/1
DATE	2020. 04. 12
UNITS	mm
SCALE	1:1
DWG NO.	009

AO

VER	MODIFICATION	DRAW	DATE
-----	--------------	------	------

X-ON Electronics

Largest Supplier of Electrical and Electronic Components

Click to view similar products for [Headers & Wire Housings](#) category:

Click to view products by [XFCN](#) manufacturer:

Other Similar products are found below :

[57102-F02-18ULF](#) [58102-G61-06LF](#) [0009485154](#) [009176003701906](#) [0050291907](#) [02.125.8002.8](#) [609-3404](#) [61062-3](#) [622-0430](#) [622-3653LF](#)
[63453-116](#) [636-1030](#) [636-1427](#) [636-3427](#) [636-4007](#) [641938-9](#) [644827-2](#) [65495-038](#) [65692-001LF](#) [65781-018](#) [65781-047](#) [65817-010LF](#)
[65817-015LF](#) [66207-023LF](#) [67016-026LF](#) [67095-007LF](#) [68631-112](#) [68645-018](#) [68648-049](#) [699319-000](#) [70.362.1628.0](#) [70-4210](#) [70-4226B](#)
[70-4853B](#) [707-5020](#) [707-5028](#) [71.350.2428.0](#) [71961-016LF](#) [733-134](#) [754199-000](#) [760-3052](#) [787-8014-00](#) [FCN-367T-T012/H](#) [80.063.4001.1](#)
[800-90-001-10-001000](#) [800-90-010-10-002000](#) [801-43-002-10-013000](#) [801-43-006-10-002000](#) [803-41-018-10-001000](#) [803-43-014-20-](#)
[001000](#)