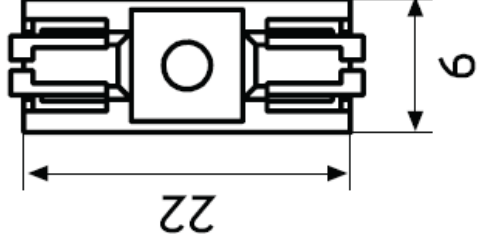
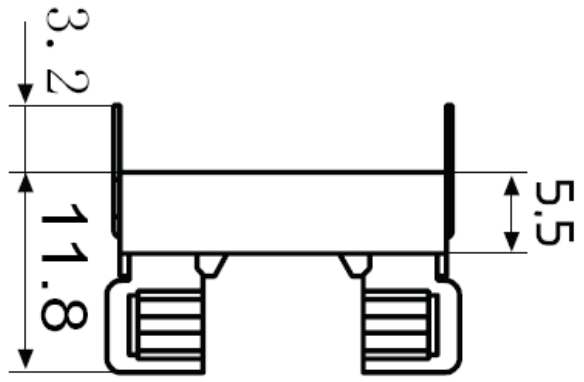
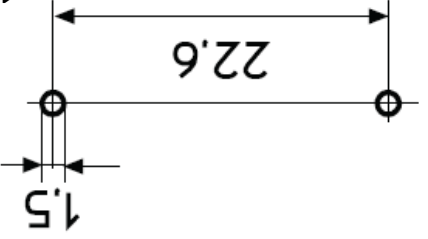
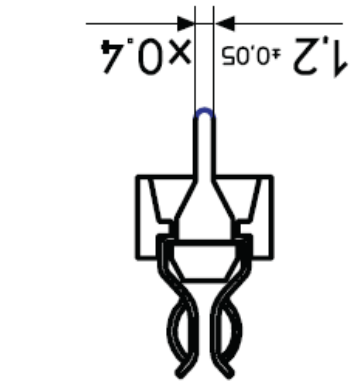


Tel: 0769-82001899

环保物料



- 1、座子原材料(Seat materials): Black Thermoplastic, UL 阻燃度 94 V0。
- 2、端子原材料(Terminal raw materials): H62 镀镍 (H62 nickel plating)。
- 3、可焊性 Solderability: max. 260 °C, 10 s (Wave)
- 4、适用于装配电路板 (Suitable for circuit board assembly)。
- 5、装配方式 (Assembly way): 插入、焊接 (insert, welding)。
- 6、通过认证 Agency Approvals: 。

For Fuse	Rated Amperage	Rated Voltage	Operating Power	Contact Resistance	Insulation Resistance	Dielectric Strength
适配保险丝	额定电流	额定电压	额定功率	接触电阻	绝缘电阻	耐压
5x20mm	10A	250V	1.6W	>5MΩ	>100MΩ	>300Vac/60"

VER	MODIFICATION			DATE	DRAWN	CHKD	APPD	VIEW	TOLERANCE UNLESS OTHERWISE SPECIFIED	DRAWN	CK tan	XFCN 兴飞连接器有限公司	CONNECTORS XFCN CONNECTORS CO., LTD.	DATE	UNITS	SCALE	DWG NO.
	A0																
									X. ±0.30	X. ±0.20	.XX ±1.0	PT-F-15	5X20mm 保险丝座	2010.4.12	mm	1:1	009

## **X-ON Electronics**

Largest Supplier of Electrical and Electronic Components

*Click to view similar products for [Fuse Holders](#) category:*

*Click to view products by [XFCN](#) manufacturer:*

Other Similar products are found below :

[ANS-H](#) [PTF-15](#) [PTF-77](#) [XF-003](#) [XF-007](#) [XF-008](#) [XF-101](#) [XF-505P](#)