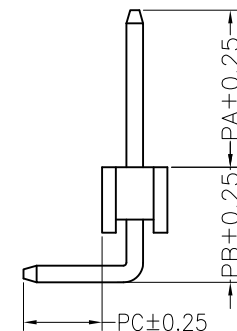
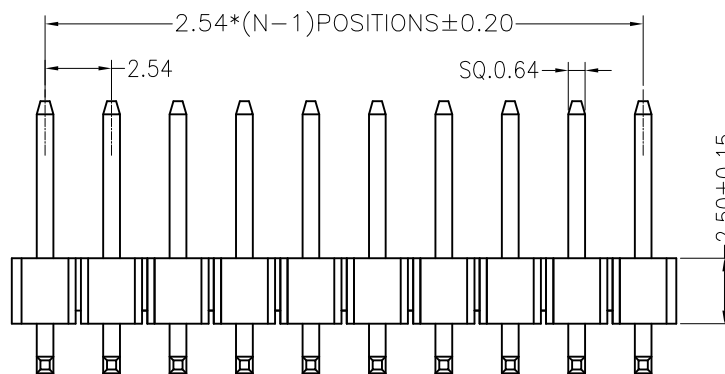
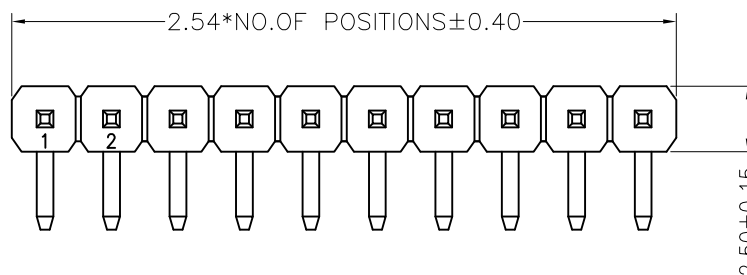
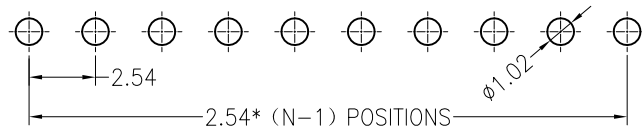


NOTES:

Voltage Rating:250V AC/DC  
 Current Rating:3.0A AC/DC  
 Dielectric Withstand Voltage:500V AC/minute  
 Contact Voltage:20M Max.  
 Insulation Voltage:1000M Min  
 Operation temperature:-40 °C to +105 °C  
 Insulator Material:Polyester .UL94V-0  
 Contact Material:Brass  
 Contact Plating:AuorSn Plated on Nickel Overall

Recommended P.C.B Layout  
 P.C.B Board Tolerance±0.05



|                    |    |
|--------------------|----|
| 塑胶高度可选 (mm)        | 常用 |
| H 1.0 1.5 2.0 2.54 |    |

| Dimension antitheses list |      |      |      |       |
|---------------------------|------|------|------|-------|
| item                      | PA   | PB   | PC   | L     |
| Standard                  | 6.00 | 4.40 | 3.00 | 13.80 |
| Alternate                 | ---  | ---  | ---  | ---   |

|    |              |  |      |                            |       |       |        |   |              |                              |         |             |
|----|--------------|--|------|----------------------------|-------|-------|--------|---|--------------|------------------------------|---------|-------------|
|    |              |  |      | TOLERANCE UNLESS OTHERWISE |       | DRAWN | CK tan | XFCN兴飞连接器有限公司<br>CONNECTORS XFCN CONNECTORS CO., LTD. |              | SHEET                        | 1/1     |             |
|    |              |  |      | X.                         | ±0.30 | X°    | ±5°    |   |              | CHKD                         | DATE    | 2010. 4. 12 |
|    |              |  |      | .X                         | ±0.20 | .X°   | ±2°    | APPD  | PRODUCT NAME | 2.54mm Pin Header Connectors |         |             |
|    |              |  |      | .XX                        | ±0.08 | .XX°  | ±1°    | VIEW  | PART. NO.    | PZ254R-11-XX                 | SCALE   | 1:1         |
|    |              |  |      | .XXX                       | ±0.03 | .XXX° | ±0.5°  |   |              |                              | DWG NO. | 009         |
| AO | MODIFICATION |  | DRAW | DATE                       |       |       |        |   |              |                              |         |             |

## X-ON Electronics

Largest Supplier of Electrical and Electronic Components

*Click to view similar products for [Headers & Wire Housings](#) category:*

*Click to view products by [XFCN](#) manufacturer:*

Other Similar products are found below :

[95000-104TRLF](#) [10135584-644402LF](#) [DF62W-EP2022PCA](#) [95000-106TRLF](#) [DF62W-2022SCA](#) [DF62W-EP2022PC](#) [2203348](#) [DF62W-2022SC](#) [1084018](#) [1029039](#) [1084017](#) [802-10-012-10-002000](#) [1112640](#) [1112639](#) [891-007-9SS-BST1T](#) [000-34000](#) [0008550134](#) [0009482033](#) [0009507031](#) [57102-F02-18ULF](#) [57102-S06-03LF](#) [57202-S52-04LF](#) [PCN6-15S-2.5E](#) [0039019024](#) [58102-G61-06LF](#) [582553-1](#) [0009485154](#) [0009508121](#) [0022285053](#) [0050291907](#) [018731A](#) [LY20-4P-DT1-P1E-BR](#) [02.125.8002.8](#) [60101931](#) [60598-1 \(Cut Strip\)](#) [M1625-3R/100](#) [61062-3](#) [61082-181009](#) [CSU011177004](#) [636-1427](#) [638009-1](#) [641938-9](#) [641991-4](#) [644168-1](#) [644827-2](#) [647662-1](#) [65039-019ELF](#) [65692-001LF](#) [65781-018](#) [65781-047](#)