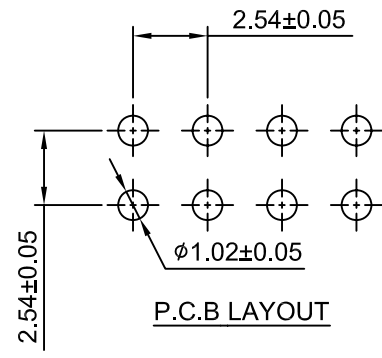
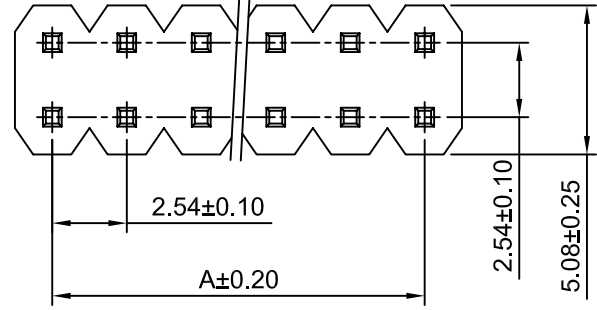
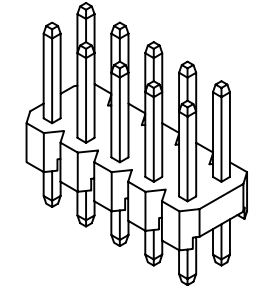


环保物料

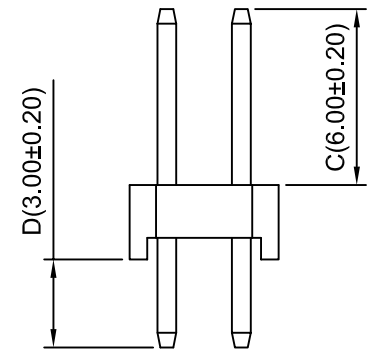
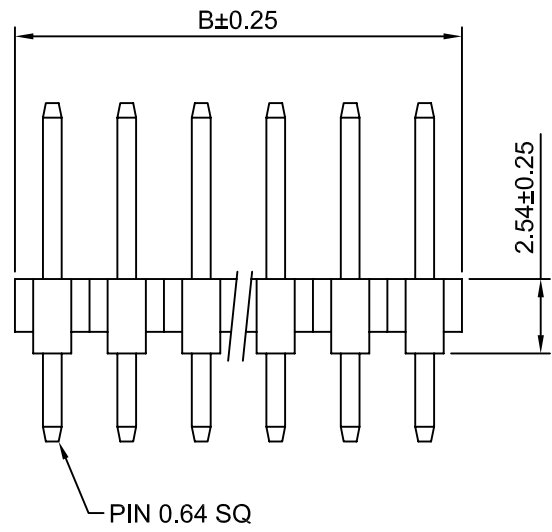
TEL: 0769-82001899



**SPECIFICATIONS:**  
 Current Rating: 3A AC,DC  
 Voltage Rating: 250V AC,DC  
 Temperature Range: -40°C ~ +105°C  
 Contact Resistance: 20mΩ Max  
 Insulation Resistance: 1000MΩ Min  
 Withstanding Voltage: 1500V AC/minute  
 Pin Material: Brass/Gold over Nickel  
 Material: PBT 30%GF, UL94V-0 (Black)

Ordering Information & Dimensions

Circuits	Dim(mm)		Circuits	Dim(mm)		Circuits	Dim(mm)	
	A	B		A	B		A	B
2x1P	----	2.54	2x15P	35.56	38.10	2x29P	71.12	73.66
2x2P	2.54	5.08	2x16P	38.10	40.64	2x30P	73.66	76.20
2x3P	5.08	7.62	2x17P	40.64	43.18	2x31P	76.20	78.74
2x4P	7.62	10.16	2x18P	43.18	45.72	2x32P	78.74	81.28
2x5P	10.16	12.70	2x19P	45.72	48.26	2x33P	81.28	83.82
2x6P	12.70	15.24	2x20P	48.26	50.80	2x34P	83.82	86.36
2x7P	15.24	17.78	2x21P	50.80	53.34	2x35P	86.36	88.90
2x8P	17.78	20.32	2x22P	53.34	55.88	2x36P	88.90	91.44
2x9P	20.32	22.86	2x23P	55.88	58.42	2x37P	91.44	93.98
2x10P	22.86	25.40	2x24P	58.42	60.96	2x38P	93.98	96.52
2x11P	25.40	27.94	2x25P	60.96	63.50	2x39P	96.52	99.06
2x12P	27.94	30.48	2x26P	63.50	66.04	2x40P	99.06	101.60
2x13P	30.48	33.02	2x27P	66.04	68.58			
2x14P	33.02	35.56	2x28P	68.58	71.12			



TOLERANCE UNLESS OTHERWISE		DRAWN	CK tan
X.	±0.30 X° ±5°	CHKD	
.X	±0.20 .X° ±2°	APPD	
.XX	±0.08 .XX° ±1°	VIEW	⊕ □
.XXX	±0.03 .XXX° ±0.5°		

**XFCN** 兴飞连接器有限公司  
 XFCN CONNECTORS CO.,LTD.

PRODUCT NAME: 2.54mm Pin Header Connectors  
 PART. NO.: PZ254V-12-xxP

SHEET	1/1
DATE	2020. 04. 12
UNITS	mm
SCALE	1:1
DWG. NO.	009

AO	MODIFICATION	DRAW	DATE
VER			

## X-ON Electronics

Largest Supplier of Electrical and Electronic Components

*Click to view similar products for [Headers & Wire Housings](#) category:*

*Click to view products by [XFCN](#) manufacturer:*

Other Similar products are found below :

[57102-F02-18ULF](#) [58102-G61-06LF](#) [0009485154](#) [009176003701906](#) [0050291907](#) [02.125.8002.8](#) [609-3404](#) [61062-3](#) [622-0430](#) [622-3653LF](#)  
[63453-116](#) [636-1030](#) [636-1427](#) [636-3427](#) [636-4007](#) [641938-9](#) [644827-2](#) [65495-038](#) [65692-001LF](#) [65781-018](#) [65781-047](#) [65817-010LF](#)  
[65817-015LF](#) [66207-023LF](#) [67016-026LF](#) [67095-007LF](#) [68631-112](#) [68645-018](#) [68648-049](#) [699319-000](#) [70.362.1628.0](#) [70-4210](#) [70-4226B](#)  
[70-4853B](#) [707-5020](#) [707-5028](#) [71.350.2428.0](#) [71961-016LF](#) [733-134](#) [754199-000](#) [760-3052](#) [787-8014-00](#) [FCN-367T-T012/H](#) [80.063.4001.1](#)  
[800-90-001-10-001000](#) [800-90-010-10-002000](#) [801-43-002-10-013000](#) [801-43-006-10-002000](#) [803-41-018-10-001000](#) [803-43-014-20-](#)  
[001000](#)