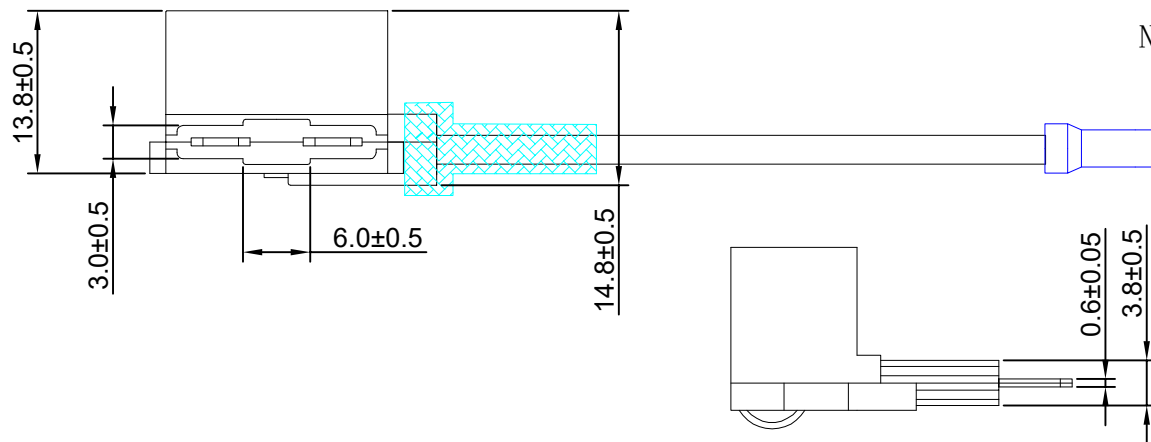
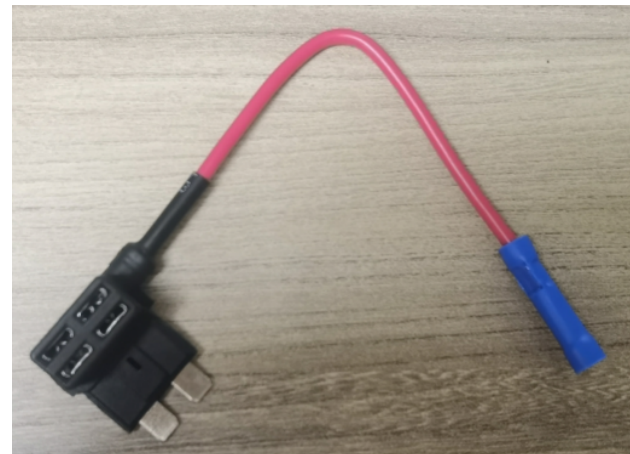
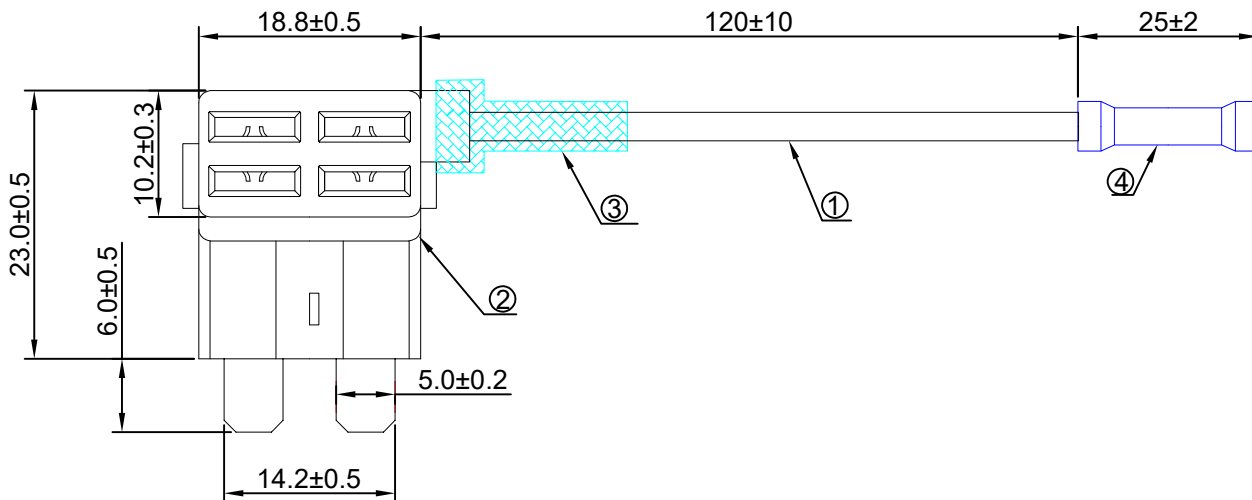


RoHS

REV	ECN NO.	DESCRIPTION	DESIGN	APPROVAL	DATE
A1	NEW	更换图框			2024.05.24



NOTES: UNLESS OTHERWISE SPECIFIED.

1. Applicable: For ATO/ATQ/QTC-N Fuse
2. Electrical: Rated for current up to 15A
3. Insulating body: PA
4. Contact: Brass with Tin plated
5. with other wiet sizes or leangths available on special order
6. this inline fuseholder designed for turn one slot into two
7. Butt splice connector pull-out force min 15kg

				X.±0.50	X.°±	PART NO:		XFCN 兴飞连接器			
				.X±0.25	.X°±	XF-ACU-120-16		0769-82001899			
				.XX±0.15	.XX°±	TITLE:		www.xfconn.com			
				.XXX±0.10	.XXX°±	FOR ATO/ATQ/QTC UL1015 16#红色 L=120MM		DWG NO: /			
				UNITS:	mm	APPD	Chen ZhiQiang				
				THESE DRAWINGS AND SPECIFICATIONS ARE THE PROPERTY OF XFCN AND SHALL NOT BE REPRODUCED, COPIED OR CUED IN ANY MANNER WITHOUT THE PRIOR WRITTEN CONSENT OF XFCN		CHKD	Liu Wei		VIEW	⊕ □	
						DRAW	Chen HongJiang		SCALE	SHEET	REV
						DATE	2024.06.04		NONE	1:1	A1
④	端子	Butt Splice connectors	1PCS								
③	热缩管	Heat shrink tubing	1PCS								
②	连接器	插片取电器	1PCS								
①	线材	UL1015 16AWG 红色 OD:3.1MM	1PCS								
序号	部件	线材 端子 (部件) 胶壳	数量	物料明细表 Material list							
NO.	PARTS	Cable, Terminal (Part) Housing	Quantity								

X-ON Electronics

Largest Supplier of Electrical and Electronic Components

Click to view similar products for [Ethernet Cables / Networking Cables](#) category:

Click to view products by [XFCN](#) manufacturer:

Other Similar products are found below :

[73-7795-1](#) [MCJB2-10P6Q7-120](#) [84909-0204](#) [1200700174](#) [1200860368](#) [E16A06002M030](#) [E200102-009-S1](#) [AX105346-EW](#) [MT14-187L](#)
[MWDM2L-51GS-6J1-2.82B](#) [ERWPAB3002M005](#) [190-038045-01](#) [NK5EPC1GRY](#) [NK5EPC4Y](#) [1969343-6](#) [ICD056GVP163D-C0](#)
[C5UMB3FBG](#) [C631208025](#) [C631208035](#) [C6F1106015](#) [2142758-2](#) [2168427-2](#) [21949-1](#) [2J1866A](#) [RJF SFTP 5E 0500](#) [AX100351](#)
[UTPCH14GYY](#) [45-5684](#) [100345-1301](#) [MWDM2L-25P-8K1-.500B](#) [MWDM6L-31S-6C4-.375H](#) [73-7793-1](#) [74764-1101](#) [WHU18-3636-048](#)
[RJF2SA2G05100BTX](#) [1R4000A39M030](#) [UTPSP6GYY](#) [UTPSP2GYY](#) [UTPSP10GYY](#) [UTPCH5GYY](#) [UTP28SP15M](#) [UTP28CH100OR](#)
[74764-2301](#) [TRD815Y-10](#) [TRD855SIG-75](#) [E66A06002M020](#) [NPC-5E-010-GY](#) [SAC-5P-MS/ 1.0-920/FS SCO AR](#) [1-3636-601-5211](#) [1-3636-600-5212](#)