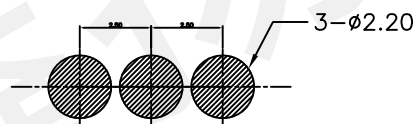
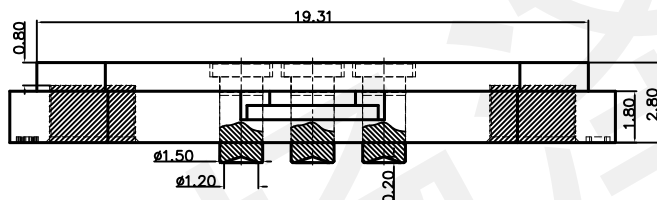
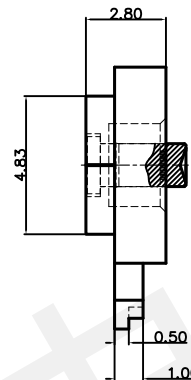
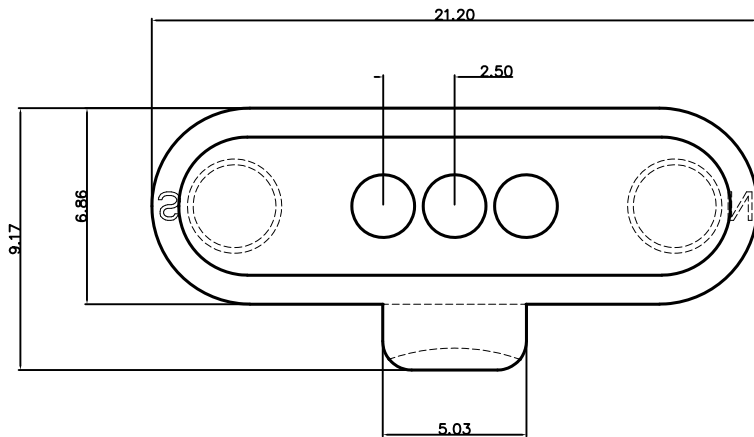


# 客户图

NO.	ECN NO.	DESCRIPTION	DATE



RECOMMENDED PCB LAYOUT

### Note:

- Material (材料):**  
 Housing: PA9T (胶芯: PA9T)  
 Pin: Brass C3604 (针体: 黄铜 C3604)  
 Magnet: NdFeB (磁铁: 钕铁硼)
- Plating (电镀):**  
 Pin: 3u' Au over 50u'~80u' Ni (针体: 镀金3u', 镍底50u'~80u'.)  
 Magnet: Zc plated (磁铁: 镀锌)
- Electrical (电气特性):**  
 Insulation Resistance: 1,000MΩ minimum. (绝缘电阻: 1,000MΩ以上)  
 Dielectric Withstand Voltage: 500VAC/minute. (抗击电压: 500VAC/minute)
- Work Temperature (工作环境):**  
 Withstanding Higt Temperature: 280℃  
 Operational Temperature: ?20℃~ ?70℃

深圳市鑫扬泽电子有限公司



HTTP://WWW.XYZPOGOPIN.COM

TEL:0755-28773277 FAX:0755-28891353

SCALE:	N/A	UNIT	mm
SHEET:	1 of 1	PROJECTION	
DATE:	2022.3.24	VER.	A.1

THE UNMARKED TOLERANCE ARE AS BELOW :

LENGTH		ANGLE	
X.XX	±0.05mm	X.XX	±0.50°
X.X	±0.10mm	X.X	±1.00°
X.	±0.20mm	X.	±2.00°

DESIGNED BY:		DWG. NO.	YZ92015035T-03025-01
CHECKED BY:		TITLE:	Pogo pin 连接器
APPROVED BY:			

## X-ON Electronics

Largest Supplier of Electrical and Electronic Components

*Click to view similar products for [Contact Probes](#) category:*

*Click to view products by [Xinyangze](#) manufacturer:*

Other Similar products are found below :

[CT5253](#) [S-4-C-5-G S/C](#) [SS-75-B-2.4-G](#) [ICT-100-J-17-G](#) [300106-000-1103](#) [ICT-100-A-8-G S/C](#) [ICT-075-B-10-G-S S/C](#) [S-2-D-8.3-G D/C](#)  
[ICT-100-T-8-G S/C](#) [S-0-B9-2.5-G S/C](#) [SS-40-J-2.4-G D/C](#) [S-0-V-3.7-G S/C](#) [SX-1-U-6.6-G D/C](#) [SS-50-J-5.1-G S/C](#) [SS-40-J-1.8-G-N/L D/C](#)  
[SS-3-7-G S/C W/HOLE .373 OAL](#) [SS-10-7-G S/C W/HOLE .373 OAL](#) [SS-1-7-G S/C W/HOLE .385 OAL](#) [SHE-5-H-18.7-G](#) [SHE-5-B-18.7-G](#)  
[SHE-3-A-7-G](#) [SH-4-A-10-G S/C](#) [101057-001-952](#) [S-50C-HS-4.3-DG-S](#) [S-5-F-8-G S/C SS SPGS](#) [S-5-F-16.4-G S/C](#) [S-4-K-5-G S/C](#) [S-4-E-5-](#)  
[D S/C](#) [S-2-J-8.3-G D/C](#) [S-2-E-10-D D/C](#) [S-2-A-10-D D/C](#) [S-100-UR-5.5-G-S](#) [S-100-T-8-RT](#) [S-100-J-17-G](#) [S-100-HK-10-G](#) [S-100-D-6.7-G](#)  
[S-100-B-3.5-G-S](#) [S-100-B-3.5-G](#) [S-1-U-6.6-D D/C .670 OAL](#) [S-1-A-6.6-D D/C .670 OAL](#) [S-075-S-3.8-RT](#) [S-075-J-3-G](#) [S-075-B-3-G](#) [S-075-](#)  
[A-7-G](#) [S-00-U-1.6-G D/C SS SPG](#) [S-00-ES-2-G D/C](#) [S-0-U-3.7-D S/C](#) [RX-100-SC](#) [RH-100-WW-429](#) [QUAD-0C-12-1](#)