

ROHS COMPLIANCE

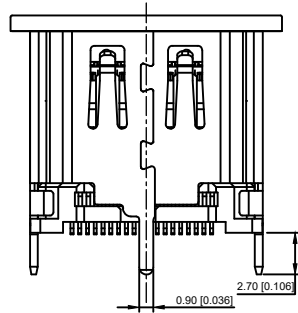
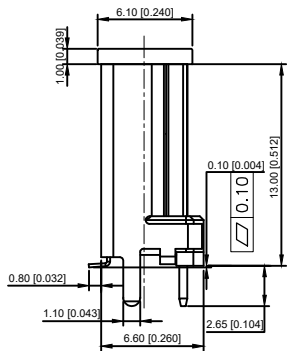
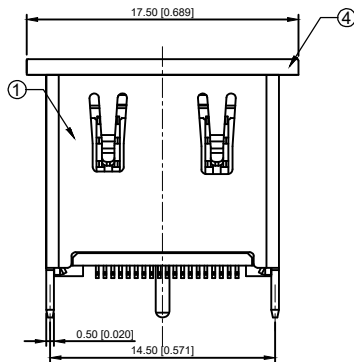
RECOMMENDED P.C.B. LAYOUT (T:1.20~1.60mm)
TOLERANCE UNSPECIFIED ±0.05mm

SPECIFICATIONS

1. OPERATING CURRENT: 0.5A MAX.
2. OPERATION TEMPERATURE: -25 TO +85
3. DIELECTRIC WITHSTANDING VOLTAGE:
500Volts AC BETWEEN ADIACENT TERMINAL (UNMATE)
300Volts AC BETWEEN ADIACENT TERMINAL (MATE)
4. INSULATION RESISTANCE:
100Mohm MIN (UNMATED); 10Mohm MIN. (MATED)
5. HDMI SPECIFICATION COMPLIANCE

A71-05H6-1X1N1

1: Au 1U"
5: Au 15U"
6: Au 30U"



4	DUST COVER	1	THERMOPLASTIC UL94V-0
3	CONTACTS	19	COPPER ALLOY, GOLD PLATED OVER NICKEL ON CONTACT AREA AND 100U" MIN. TIN PLATED OVER NICKEL ON SOLDER TAILS
2	HOUSING	1	THERMOPLASTIC UL94V-0
1	SHELL	1	COPPER ALLOY OR SPCC, NICKEL PLATED

						ANGULAR	±5°	
ΔX						L ≤ 4	±0.2	
ΔX						4 < L ≤ 16	±0.3	
ΔX						16 < L ≤ 63	±0.4	
MARK	DESCRIPTION	DATE	REVISED	APPROVED		L > 63	±0.5	
REVISIONS							UNSPECIFIED TOLERANCES	
www.xk-dg.cn www.helloxkb.com www.helloxkb.cn								

DSND	DATE	SCALE: N/A	MODEL TYPE: HDMI CONNECTOR
DWN	DATE	VIEW:	PART NO.: A71-05H6-1X1N1
CHKD	DATE	UNIT: mm/in	DWG NO.: A71-05H6-1X1N1
APPD	DATE	SIZE: A4	
KKB INDUSTRIAL PRECISION CO., LIMITED			WEIGHT 1.0g
			SHEET 1/1
			REVISION A0

X-ON Electronics

Largest Supplier of Electrical and Electronic Components

Click to view similar products for [HDMI, Displayport & DVI Connectors](#) category:

Click to view products by [XKB](#) manufacturer:

Other Similar products are found below :

[30-1231](#) [30-528](#) [30-504](#) [30-519](#) [33DVIR-24S1B](#) [47648-2000](#) [2002-400](#) [TC142X](#) [769-103/021-000](#) [1932649-1](#) [CP30200GM3](#) [67881](#)
[HBLBH](#) [HBLBI](#) [HAFBG](#) [HAFBH](#) [HAGBF](#) [HAGBG](#) [HAGBJ](#) [HBLBJ](#) [AABIE](#) [AABIF](#) [AABIG](#) [AABIH](#) [AABIJ](#) [AABIK](#) [AACBE](#)
[AACBF](#) [AACBG](#) [ABIBF](#) [ABIBG](#) [ABIBH](#) [AACBH](#) [AACBI](#) [AACBJ](#) [AACBK](#) [AACBL](#) [AAIBD](#) [AAIBF](#) [AAIBI](#) [AANBJ](#) [AAQBH](#)
[AAQBI](#) [AARBG](#) [AARBH](#) [AARBI](#) [AAXBD](#) [ABA AF](#) [ABBBF](#) [AIDB0](#)