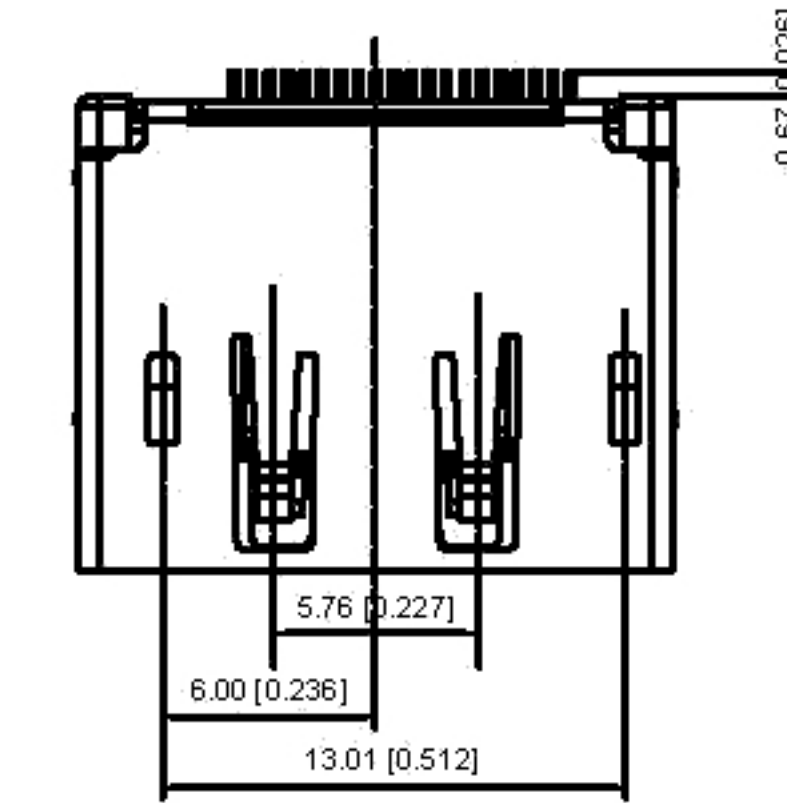
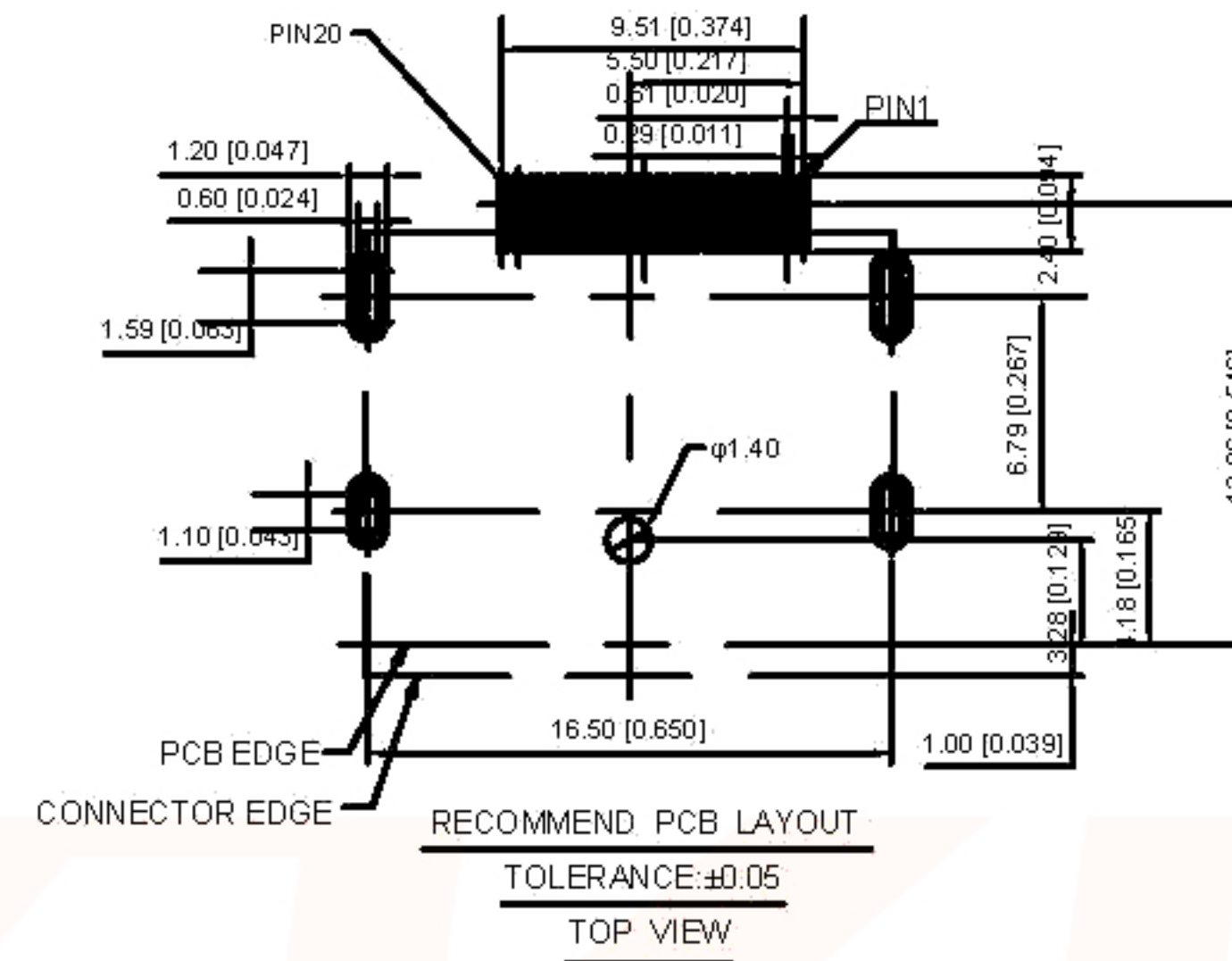
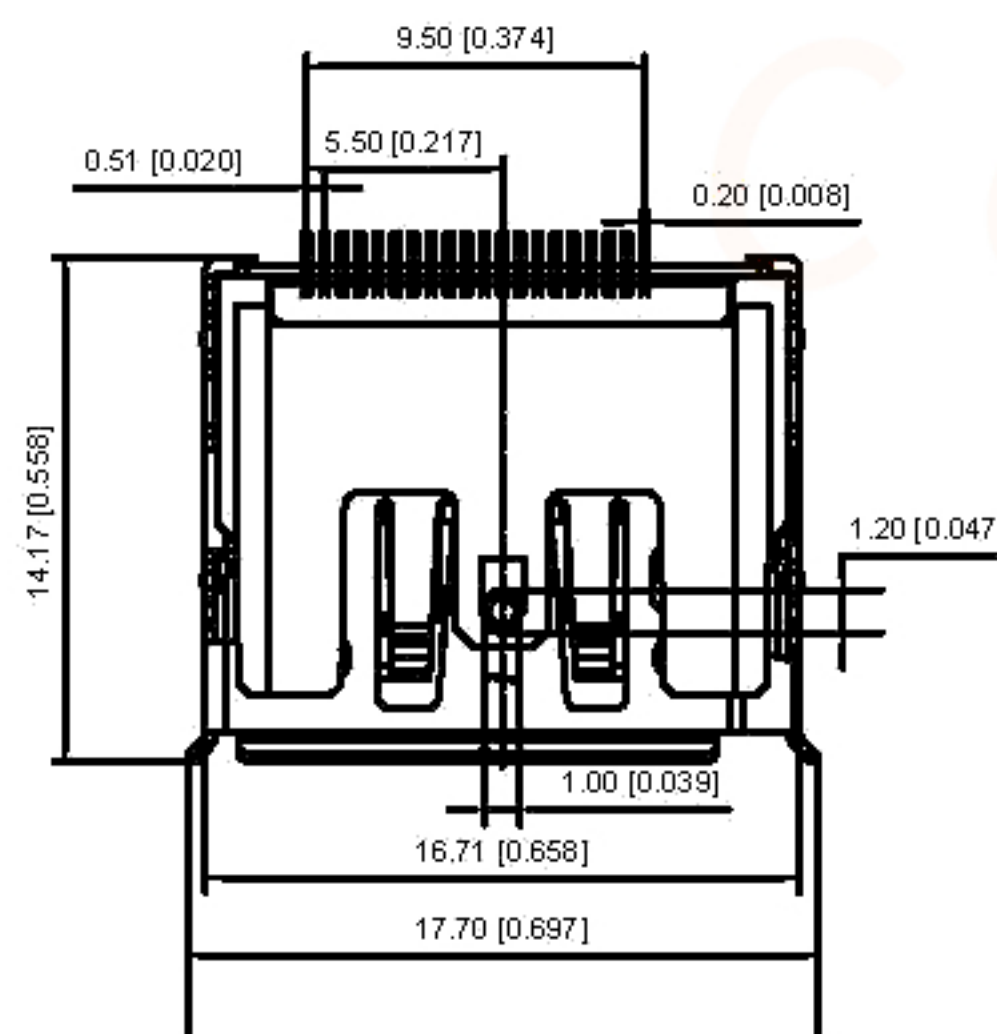
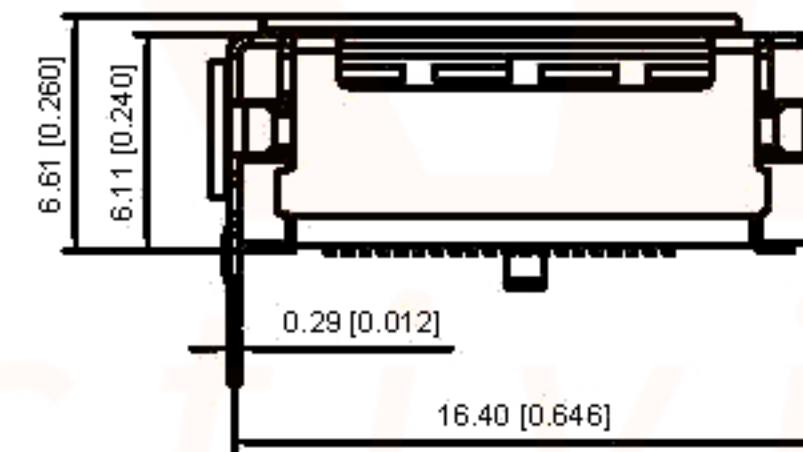
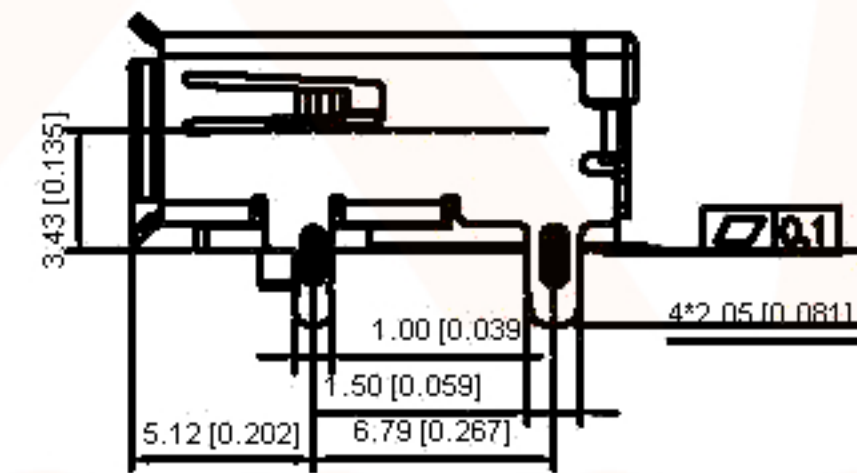
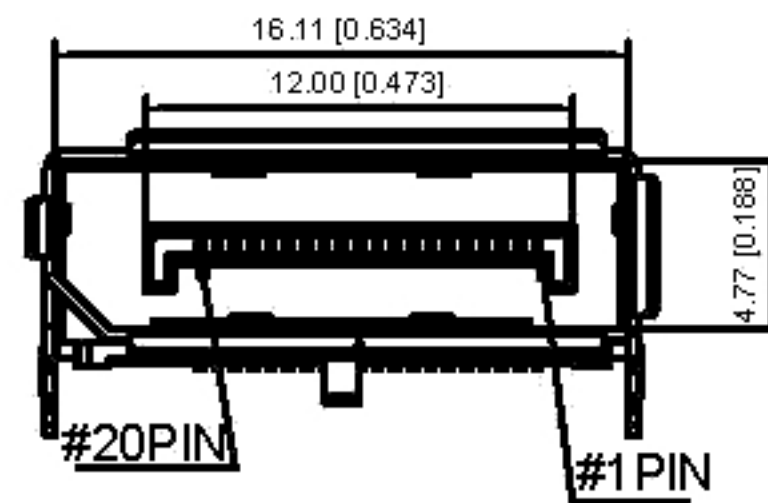


S:Scrolls



F: Flat



MATERIALS

1. HOUSING: LCP (UL94V-0), BLACK.
2. TERMINAL: COPPER ALLOY, GOLD PLATED ON CONTACT AREA, TIN PLATED ON SOLDER TAILS, NICKEL PLATED OVERALL.
3. SHELL: STAINLESS STEEL, NICKEL PLATED OVERALL.

SPECIFICATION

1. CURRENT RATING: 0.5A. MAX.
2. DIELECTRIC WITHSTANDING VOLTAGE: 500V AC R.M.S. FOR ONE MINUTE.
3. INSULATION RESISTANCE: 100MΩ MIN. AT 500V DC.
4. CONTACT RESISTANCE: 30mΩ MAX.
5. OPERATING TEMPERATURE: -25°C TO +85°C.
6. DURABILITY: 10000 CYCLES.
7. MATING FORCE: 4.5kgf MAX.
8. UNMATING FORCE: 1.0kgf MIN.

CAR06 - 201EN X X

- ① PACKAGE
- 2=TAPE REEL
- 5=TAPE REEL+MYLAR
- ② Interface type
- S:Scrolls
- F:Flat

DSND		DATE		SCALE: N/A	MODEL TYPE:	DP CONNECTOR		
DWN		DATE		VIEW:	PART NO.:			
CHKD		DATE		UNIT: mm/in	DWG NO.:	CAR02-201ENXX		
APPD		DATE		SIZE: A4	WEIGHT	SHEET	REVISION	
UNSPECIFIED TOLERANCES					1.0g	1/1	A0	
XKB INDUSTRIAL PRECISION CO., LIMITED								

ΔX				ANGLAR	±5°
ΔX				L ≤ 4	±0.2
ΔX				4 < L ≤ 16	±0.3
MARK	DESCRIPTION	DATE	REVISED	APPROVED	16 < L ≤ 63
					L > 63

X-ON Electronics

Largest Supplier of Electrical and Electronic Components

Click to view similar products for [HDMI, Displayport & DVI Connectors](#) category:

Click to view products by [XKB](#) manufacturer:

Other Similar products are found below :

[30-528](#) [30-504](#) [33DVIR-24S1B](#) [47648-2000](#) [TC142X](#) [1932649-1](#) [HAGBH](#) [ABIBG](#) [AAIBH](#) [52355](#) [XHLJQ-00026](#) [HDMI-019R](#)
[G46M2013201AWEU](#) [ST-0277D00-052-142](#) [HC-PJ-320A-3P-D](#) [HC-PJ-3133-5P-D](#) [PJ-342](#) [141](#) [PJ-320A-4P DIP](#) [HC-PJ-325C-5P](#) [HC-PJ-320D-4P-S](#) [HC-PJ-3133-6P-S](#) [D-SUB-DR-9PCM-CB](#) [ST-0275S00-082-182](#) [HC-PJ-320A-4P-D](#) [HC-PJ-325A-5P](#) [HC-PJ-3134-6P-D](#) [HDR-HX-102DIP](#) [HDMI-GD-121PWB](#) [C2939191](#) [C2939584](#) [PJ-208](#) [PJ-2040](#) [PJ-3580A-6A](#) [PJ-399M](#) [PJ-328B-4B](#) [PJ-3930-7A](#) [PJ-615-5A](#) [PJ-332-6A](#) [KH-HDMI-0001](#) [KH-PJ-209-SMT](#) [KH-HDMI-0035-XK](#) [KH-PJ-328A-5P](#) [KH-PJ-322](#) [KH-PJ-327E-SMT](#) [KH-PJ-320A-5.6](#) [KH-HDR15P-F3.08](#) [KH-HDMI-0005A-SMT](#) [KH-HDMI-0021-JBS](#) [KH-HDMI-0002](#) [KH-PJ-234-4P-SMT](#)