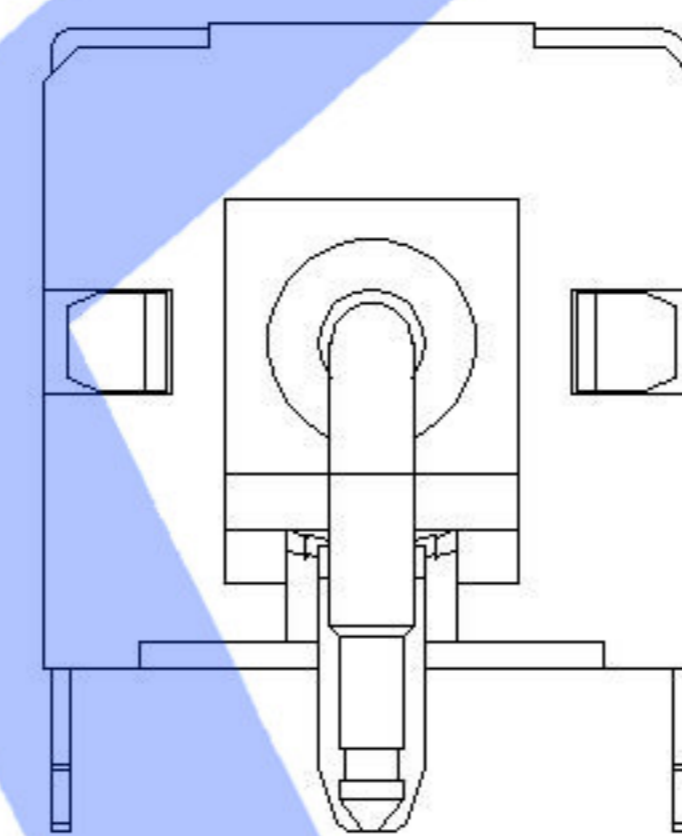
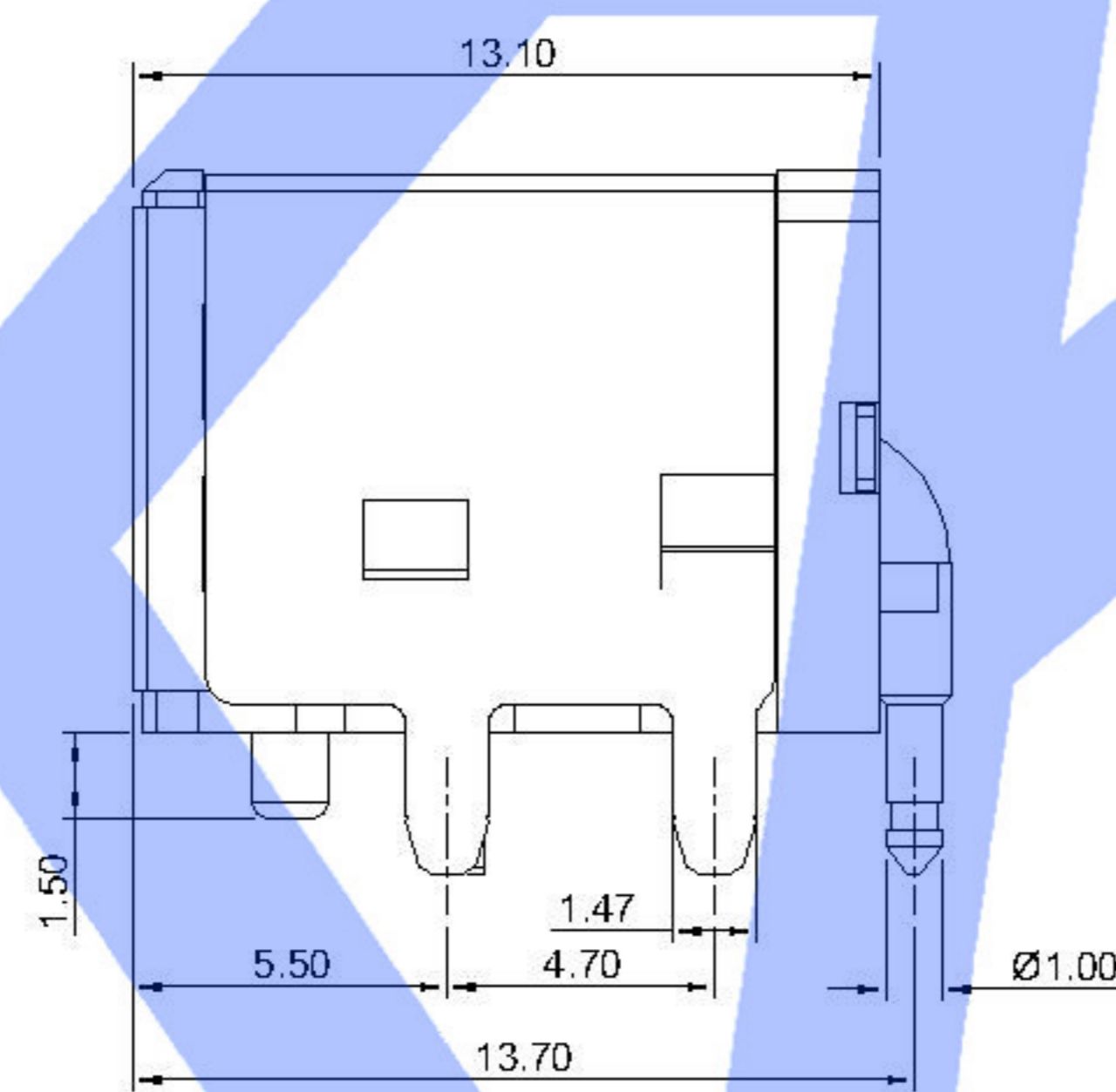
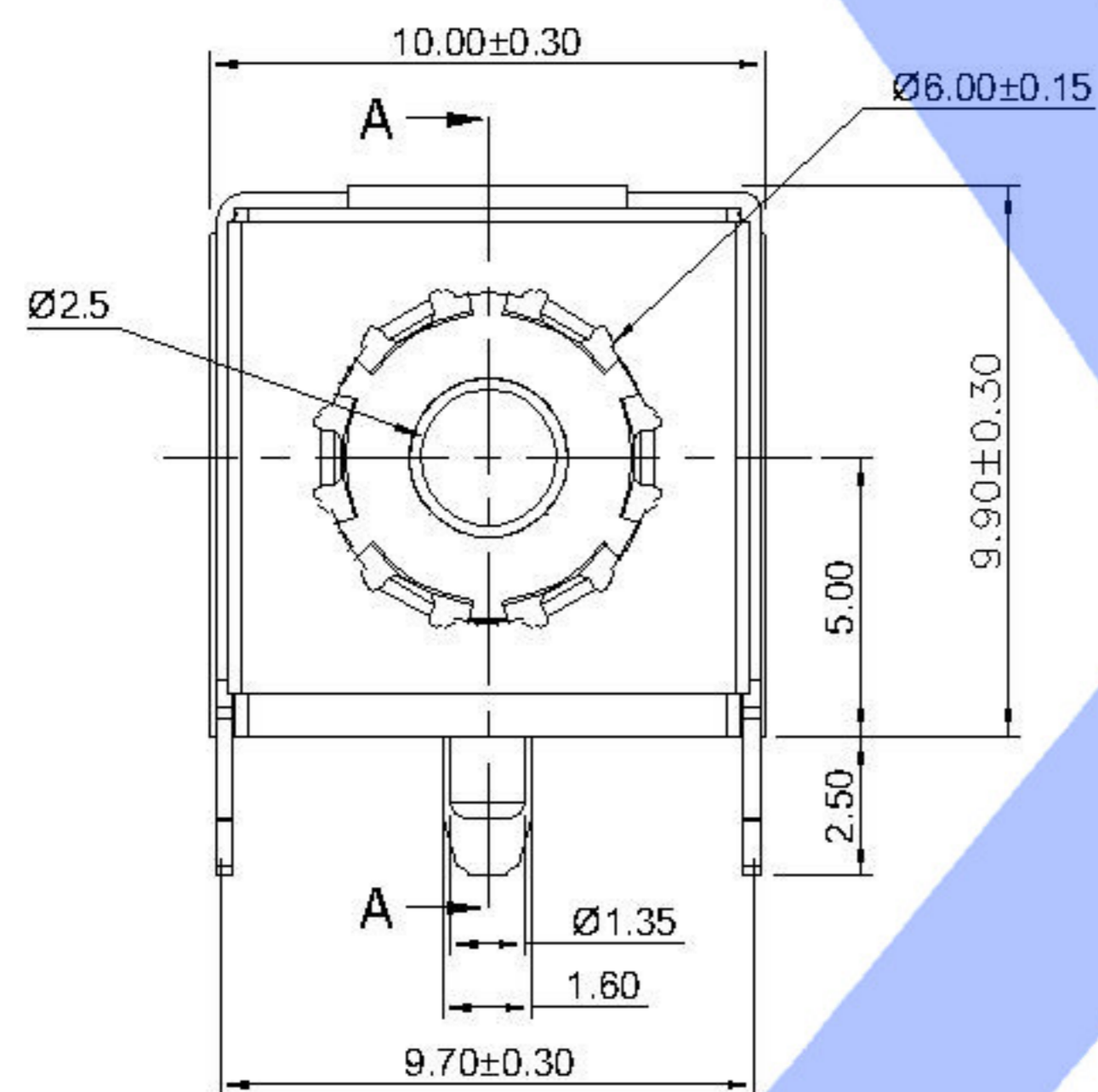
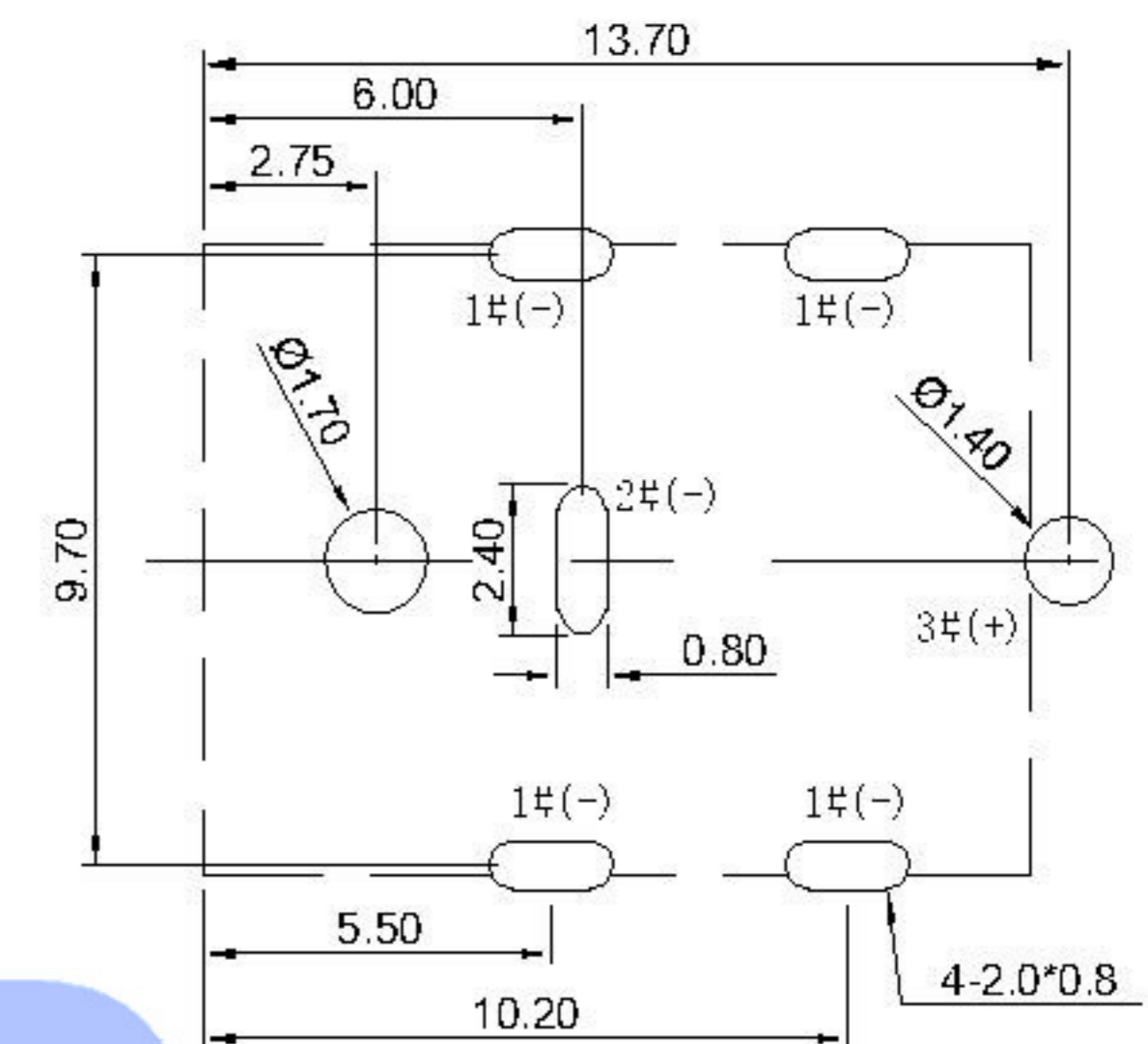
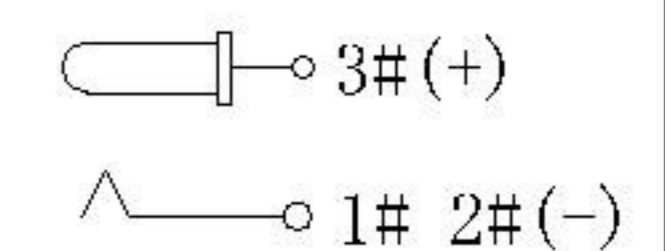


P. C. B LAYOUT

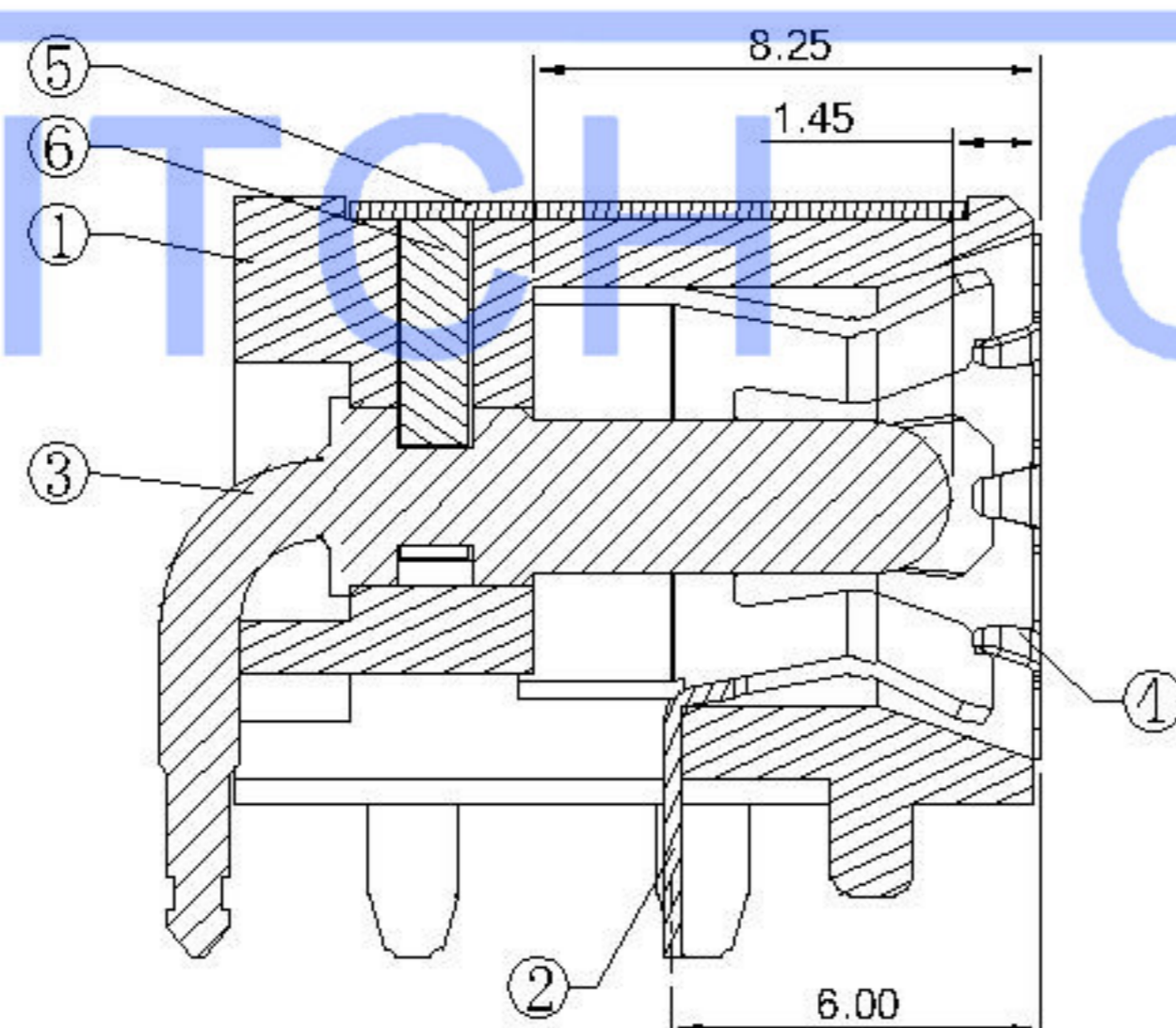
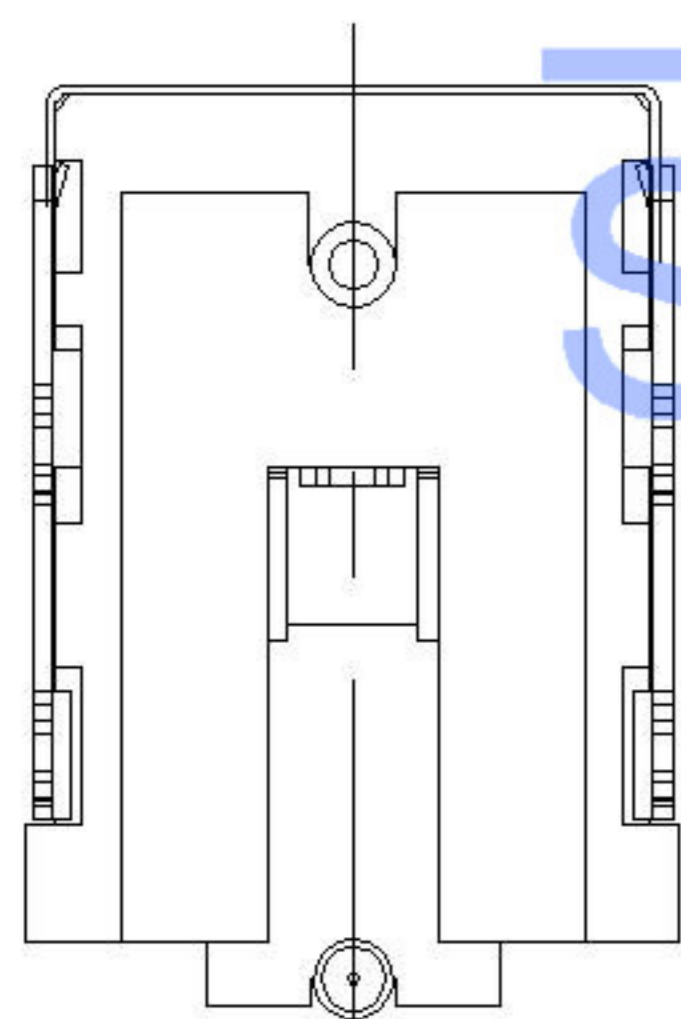


SCHEMATIC



SPECIFICATION

1. Rating : DC 20V 10A;
2. Contact resistance: $\leq 0.03 \Omega$;
3. Insulation resistance: $\geq 100M \Omega$ (DC250V);
4. Withstand voltage: 500VAC ;
5. Insertion and extraction force: 5-40N;
6. life test: 5,000 cycles.



剖面 A-A

NO.	DESCRIPTION	QTY	MATERIAL	PLATING
6	STOPPER	1	HIGH TEMP THERMOPLASTIC UL-94 V0	BLACK
5	SHIELD	1	SUS 0.3t	Ni60U"
4	CONTACT FOOT	1	SUS 0.15t	N/A
3	PIN	1	BRASS	Ni50U"
2	SPRING PIECE	1	C5191 0.3t	AG15U" OVER Ni50U"
1	HOUSING	1	HIGH TEMP THERMOPLASTIC UL-94 V0	BLACK

REVISIONS					UNSPECIFIED TOLERANCES	DSND	DATE	SCALE: N/A	MODEL TYPE: DC POWER JACK		
△X					ANGLAR		DATE	VIEW:	PART NO.:		
△X					X.X	±5°	DATE	UNIT: mm	DWG NO.:		
△X					X.XX	±0.2mm	DATE	SIZE: A4	DC-042C-Z-2.5-A		
MARK	DESCRIPTION	DATE	REVISED	APPROVED	X.XXX	±0.1mm	DATE				
						±0.05mm	DATE				
									WEIGHT	SHEET	REVISION
									1.0g	1/1	A0
									KKB INDUSTRIAL PRECISION CO.,LIMITED		

X-ON Electronics

Largest Supplier of Electrical and Electronic Components

Click to view similar products for [xkb](#) manufacturer:

Other Similar products are found below :

[SS-12D10L3](#) [U263-241N-4BQC11-1](#) [X3025WV-2x03-46SN](#) [X2026WVS-2x10D-LPSW](#) [X9357HF-2x12G-N2](#) [DSIC03LH-P](#) [TM-004-D2-03](#)
[X6511WV-24H-C30D60](#) [DC-025LM-5A-2.0](#) [X03A10L13G](#) [PJ-309A-2](#) [TM-1201-A](#) [DM1-135C-1](#) [PJ-3582-W](#) [X6521WV-2x26H-C30D60](#)
[X8826WR-2x05-N0SN](#) [DC-005G-2.5A-2.0](#) [X2015WR-2x04-N0SN](#) [X1011WVS-2x03-9TV01](#) [PJ-322A-Y](#) [DC-018-2.5A-2.0](#) [DM1-180D-1](#)
[DM1-117C-1](#) [X3025WRS-2x02E-LPSW](#) [DSIC07LH-P](#) [DS-09BLP](#) [DC-049A](#) [TS-1101-C-W](#) [TS-1159UB-B-B-W](#) [X2015H-2x05-N0](#)
[X3025WR-06-N0SN](#) [DA-12RP](#) [DA-09RP](#) [X03A10L51G](#) [X1015WM-30L-C](#) [X2510WRS-05-9TSN](#) [TM-004-D3-03](#) [XKB5858-W-F-75](#)
[X1002WVS-07E-LPSWHF](#) [TS-1159UB-B-D-BL](#) [X6521WV-2x11H-C30D60](#) [X2000WVS-03-9TSN](#) [X05A26H24G](#) [X2510WRS-02-9TSN](#)
[X05A20H24G](#) [X9821WV-11-N0SN](#) [X5050WV-04-N2SN](#) [X6511FV-03-C85D32](#) [X6521WR-2x16H-C30D60](#) [X6511WVS-05H-C60D48-R1](#)