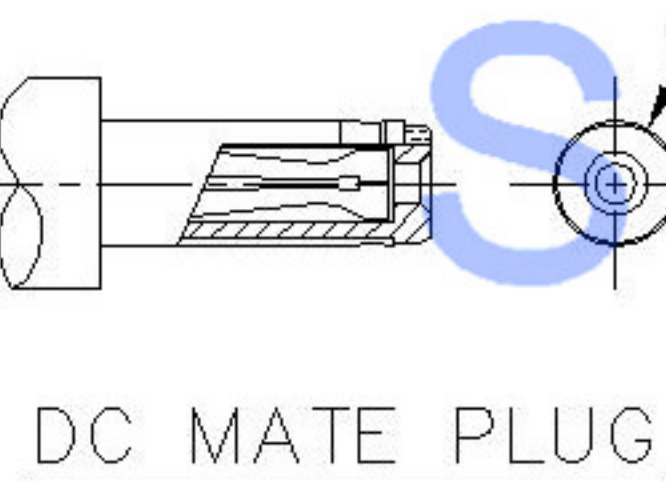


|            |                     |
|------------|---------------------|
| MODEL NO.  | DC-0920             |
| SCHEMATIC  |                     |
| CENTER PIN | $\phi 1.3\text{mm}$ |

|              | MATERIAL        | PLATING |
|--------------|-----------------|---------|
| axis support | Brass           | silver  |
| center pin   | Brass           | silver  |
| plastic      | Pbt             |         |
| terminal 1   | Brass           | silver  |
| terminal 2   | Phosphor Bronze | silver  |
| terminal 3   | Brass           | silver  |



| MARK | DESCRIPTION | DATE | REVISED | APPROVED | UNSPECIFIED TOLERANCES | DSND                                 | DATE | SCALE: N/A | MODEL TYPE:<br>DC POWER JACK |
|------|-------------|------|---------|----------|------------------------|--------------------------------------|------|------------|------------------------------|
| ΔX   |             |      |         |          | ANGLAR ±5°             | DWN                                  | DATE | VIEW:      | PART NO.:                    |
| ΔX   |             |      |         |          | X.X ±0.2mm             | CHKD                                 | DATE | UNIT: mm   | DWG NO.:                     |
| ΔX   |             |      |         |          | X.XX ±0.1mm            | APPD                                 | DATE | SIZE: A4   | DC-0920-SMT                  |
|      |             |      |         |          | X.XXX ±0.05mm          | KXB INDUSTRIAL PRECISION CO.,LIMITED |      |            | WEIGHT 1.0g                  |
|      |             |      |         |          |                        |                                      |      |            | SHEET 1/1                    |
|      |             |      |         |          |                        |                                      |      |            | REVISION A0                  |

## X-ON Electronics

Largest Supplier of Electrical and Electronic Components

*Click to view similar products for [xkb](#) manufacturer:*

Other Similar products are found below :

[SS-12D10L3](#) [U263-241N-4BQC11-1](#) [X3025WV-2x03-46SN](#) [X2026WVS-2x10D-LPSW](#) [X9357HF-2x12G-N2](#) [DSIC03LH-P](#) [TM-004-D2-03](#)  
[X6511WV-24H-C30D60](#) [DC-025LM-5A-2.0](#) [X03A10L13G](#) [PJ-309A-2](#) [TM-1201-A](#) [DM1-135C-1](#) [PJ-3582-W](#) [X6521WV-2x26H-C30D60](#)  
[X8826WR-2x05-N0SN](#) [DC-005G-2.5A-2.0](#) [X2015WR-2x04-N0SN](#) [X1011WVS-2x03-9TV01](#) [PJ-322A-Y](#) [DC-018-2.5A-2.0](#) [DM1-180D-1](#)  
[DM1-117C-1](#) [X3025WRS-2x02E-LPSW](#) [DSIC07LH-P](#) [DS-09BLP](#) [DC-049A](#) [TS-1101-C-W](#) [TS-1159UB-B-B-W](#) [X2015H-2x05-N0](#)  
[X3025WR-06-N0SN](#) [DA-12RP](#) [DA-09RP](#) [X03A10L51G](#) [X1015WM-30L-C](#) [X2510WRS-05-9TSN](#) [TM-004-D3-03](#) [XKB5858-W-F-75](#)  
[X1002WVS-07E-LPSWHF](#) [TS-1159UB-B-D-BL](#) [X6521WV-2x11H-C30D60](#) [X2000WVS-03-9TSN](#) [X05A26H24G](#) [X2510WRS-02-9TSN](#)  
[X05A20H24G](#) [X9821WV-11-N0SN](#) [X5050WV-04-N2SN](#) [X6511FV-03-C85D32](#) [X6521WR-2x16H-C30D60](#) [X6511WVS-05H-C60D48-R1](#)