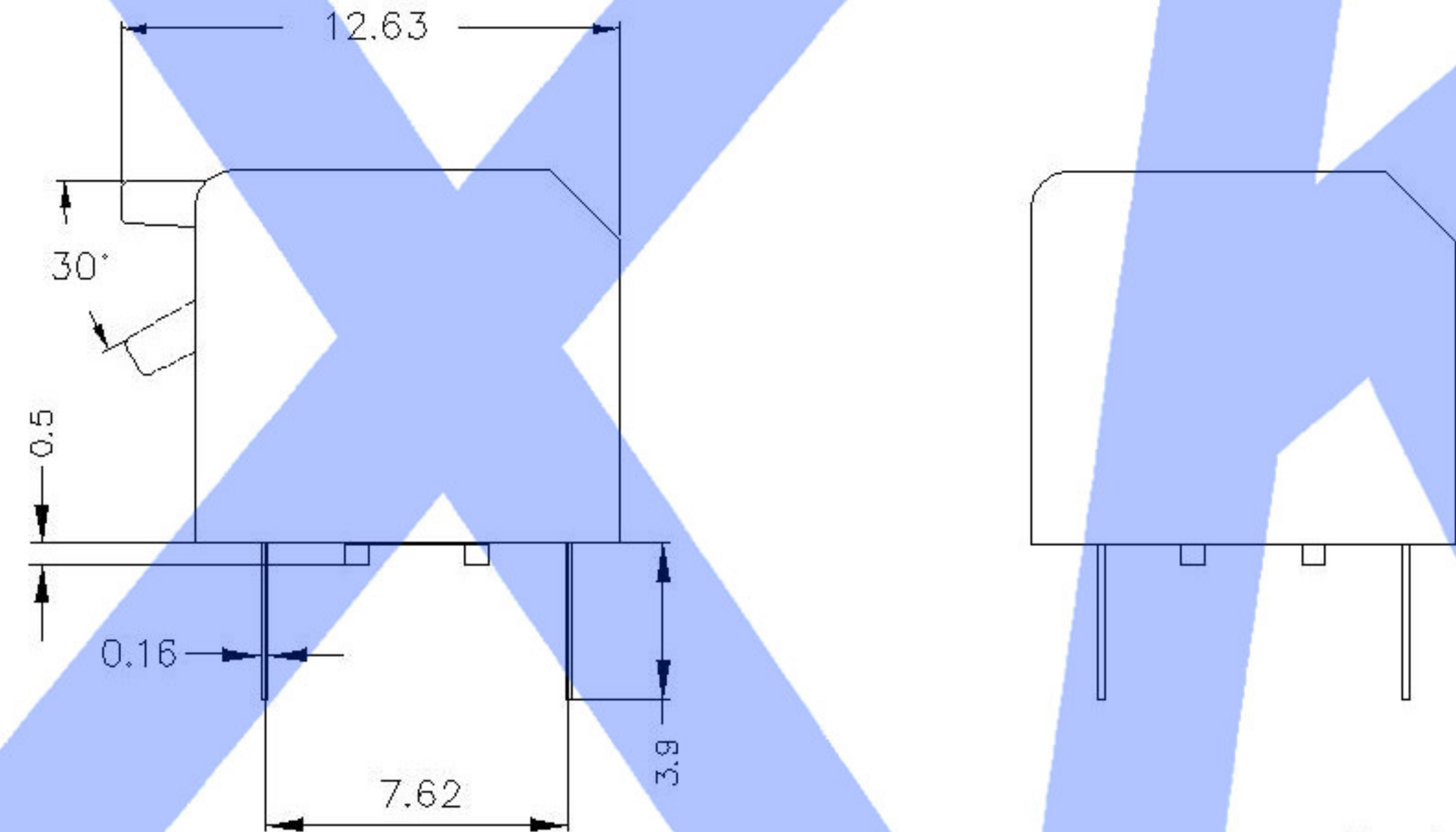
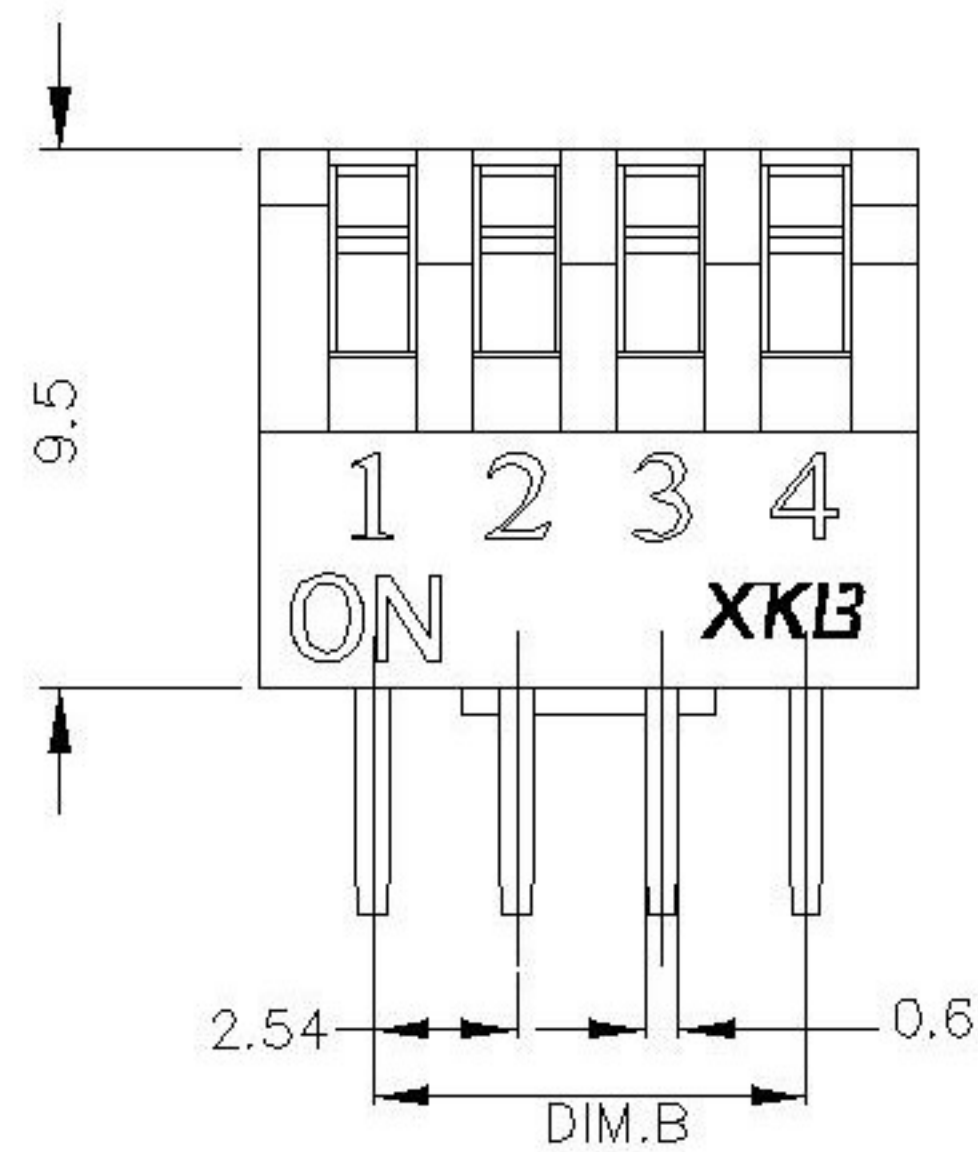


SECTION A-A



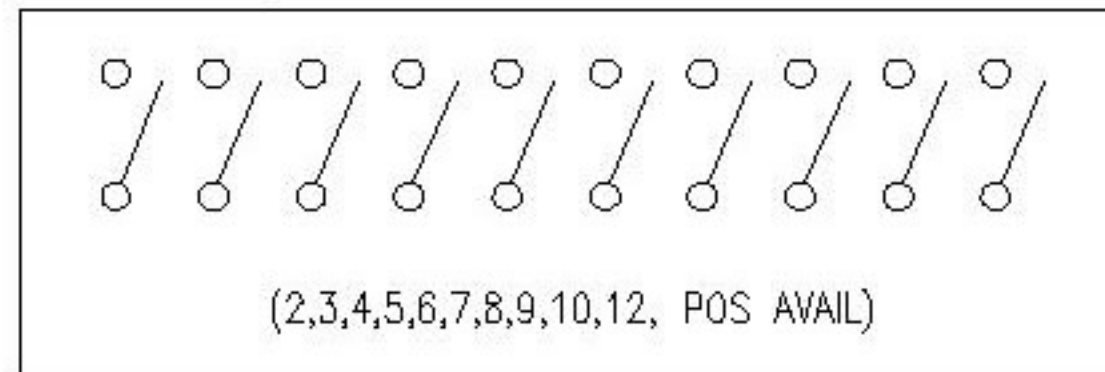
Projection (P)

Short (S)

PART NO.	NO.OF POS.	DIM.A	DIM.B	Cover/Red (R)		Cover/Blue (BL)	
				Projection (P)	Short (S)	Projection (P)	Short (S)
DP L-01	1	3.98		DPL-01RP	DPL-01RS	DPL-01BLP	DPL-01BLS
DP L-02	2	6.52	2.54	DPL-02RP	DPL-02RS	DPL-02BLP	DPL-02BLS
DP L-03	3	9.06	5.08	DPL-03RP	DPL-03RS	DPL-03BLP	DPL-03BLS
DP L-04	4	11.6	7.62	DPL-04RP	DPL-04RS	DPL-04BLP	DPL-04BLS
DP L-05	5	14.14	10.16	DPL-05RP	DPL-05RS	DPL-05BLP	DPL-05BLS
DP L-06	6	16.68	12.70	DPL-06RP	DPL-06RS	DPL-06BLP	DPL-06BLS
DP L-07	7	19.22	15.24	DPL-07RP	DPL-07RS	DPL-07BLP	DPL-07BLS
DP L-08	8	21.76	17.78	DPL-08RP	DPL-08RS	DPL-08BLP	DPL-08BLS
DP L-09	9	24.3	20.32	DPL-09RP	DPL-09RS	DPL-09BLP	DPL-09BLS
DP L-10	10	26.84	22.86	DPL-10RP	DPL-10RS	DPL-10BLP	DPL-10BLS
DP L-12	12	31.92	27.94	DPL-12RP	DPL-12RS	DPL-12BLP	DPL-12BLS

# SWITCH CONNECTOR

**CIRCUIT**



④	Terminal		Copper Alloy	T: Tin plated G:Plating Gold ≥15MU
③	Base	1	Pa66	Black
②	Keystake	1	Pa66	White
①	Cover	1	Pa66	Black Blue Red
ITEM	PAPT NAMF	QTY	MATERIAL	FINISHING

**SPECIFICATION**

Contact Rating:	25mA,24V DC
Contact Resistance:	50mΩ max
Insulation Resistance:	100mΩ min.500V DC
Dielectric Strength:	500V AC/1minute
Operating Force:	1,000gf max
Travel:	2mm
Operating Life:	3000cycles
Operating Temp:	-20℃~+70℃
Storage Temp:	-30℃~+80℃

MARK	DESCRIPTION	DATE	REVISED	APPROVED	UNSPECIFIED TOLERANCES	DSND	DATE	SCALE: N/A	MODEL TYPE: <b>DIP SWITCH</b>		
Δ X					ANGLAR ±5°	DWN	DATE	VIEW:	PART NO.:		
Δ X					X.X ±0.2mm	CHKD	DATE	UNIT: mm	DWG NO.:		
Δ X					X.XX ±0.1mm	APPD	DATE	SIZE: A4	<b>DPL-XX-X-X</b>		
					X.XXX ±0.05mm	<b>XKB INDUSTRIAL PRECISION CO.,LIMITED</b>			WEIGHT	SHEET	REVISION
									1.0g	1/1	A0



## X-ON Electronics

Largest Supplier of Electrical and Electronic Components

*Click to view similar products for [DIP Switches/SIP Switches](#) category:*

*Click to view products by [XKB](#) manufacturer:*

Other Similar products are found below :

[78M03S](#) [79B10T](#) [8136-475G4T](#) [G7G-1A2-CB-DC12](#) [A7SS-M](#) [DBP 2110](#) [DBP 2112](#) [DBS1008](#) [DHN02FTVTR](#) [DHN10T](#) [DHS108](#) [DM-08](#)  
[DP-10-H](#) [DPL08TN](#) [DRD16CSE04](#) [DRR4010](#) [DRR60016](#) [DRS4016](#) [BD06E](#) [1825008-1](#) [1825444-1](#) [218-8LPSTF](#) [219-6LPSTRF](#)  
[25.350.0653.0](#) [LA2-DC12](#) [SBS 5004 TG](#) [SDA10H1BDA](#) [97R06ST](#) [A2C-2A5](#) [1825444-7](#) [ADE08SA04](#) [ADE12S04](#) [2-1825058-8](#) [CCVA](#)  
[2.5/ 4-G-5.08 P26THRR32](#) [25.330.0653.1](#) [25.352.0353.0](#) [MDG305ST](#) [IKN0600000](#) [IKN0800000](#) [LA2-002-DC24](#) [DBP2008](#) [DBS1003](#)  
[DBS2008](#) [438872000](#) [WT11-D1-06](#) [DM-02](#) [DRD10CRAE04](#) [DRS1604](#) [DSR02T](#) [DSS 208 N](#)