

K 1318772 W R - 2

① ② ③ ④ ⑤

- ① K :XKBTEK-Car Connectors
- ② XKB Series N0.
- ③ Category: W-WAFER
- ④ Welding Board Angle: R-Right Angle 90°
- ⑤ 2:TYPE2(12Pin)

K1318772WR-2	PBT			K1318774H
PART NO	Material	Material (Terminal)	Finish (Terminal)	Housing

广东星坤科技股份有限公司

生效 日期

文件工程章

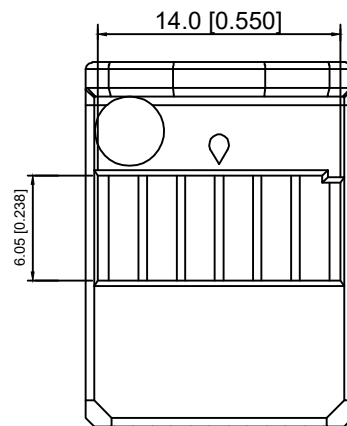
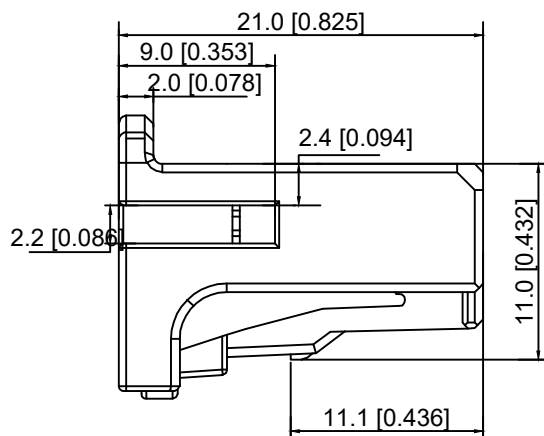
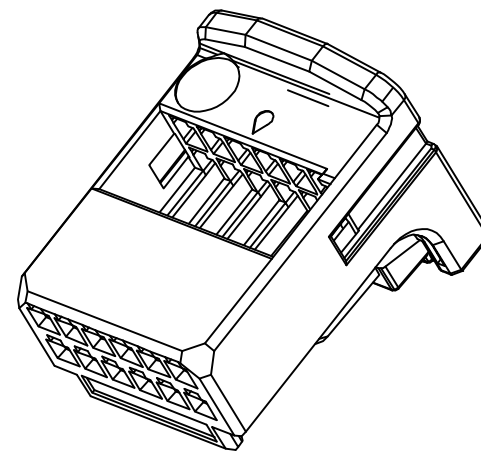
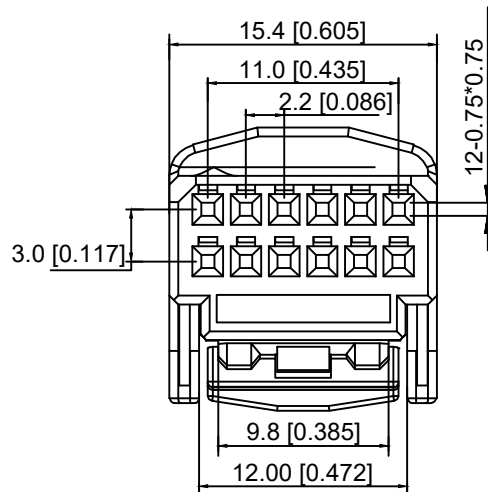
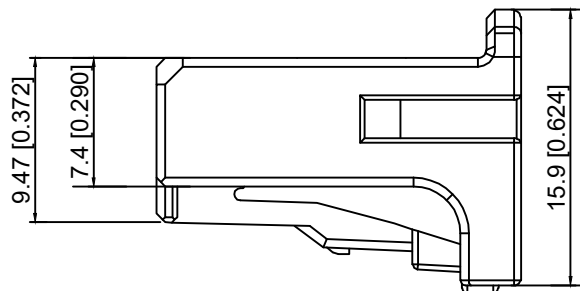
MARK	DESCRIPTION	DATE	REVISED	APPROVED	ANGLAR	±5°
ΔX					L ≤ 4	±0.2
ΔX					4 < L ≤ 16	±0.3
ΔX					16 < L ≤ 63	±0.4
					L > 63	±0.5

XKLB

DSND		SCALE: N/A	MODEL TYPE:
DWN		VIEW:	K1318772WR-2
CHKD		UNIT: mm/in	PART NO.:
APPD		SIZE: A4	DWG NO.:
			X-K1318772WR-2

XKB INDUSTRIAL PRECISION CO.,LIMITED

WEIGHT	SHEET	REVISION
	1/1	A0



K 1318774 H - 1

- ① ② ③ ④

- ①K :XKBTEK-Car Connectors
- ②XKB Series NO.
- ③Category: H-HSG
- ④1:TYPE1 (12Pin)

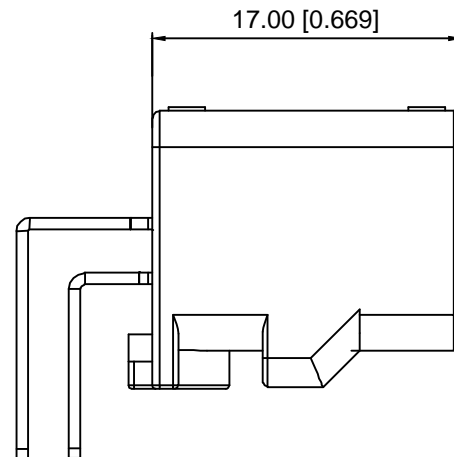
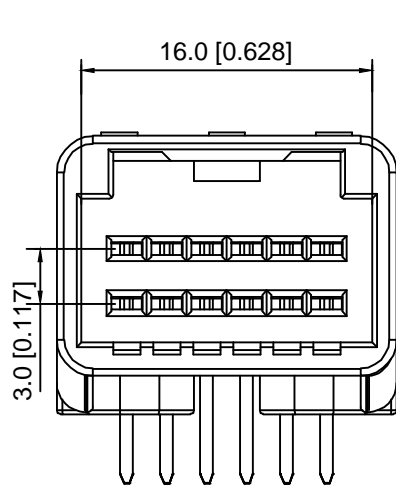
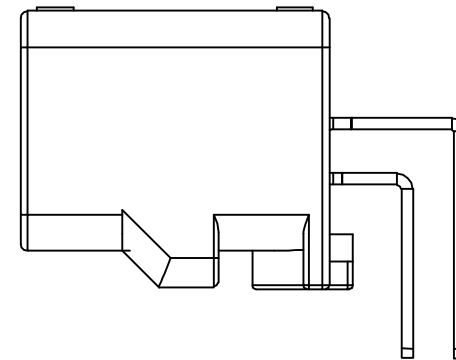
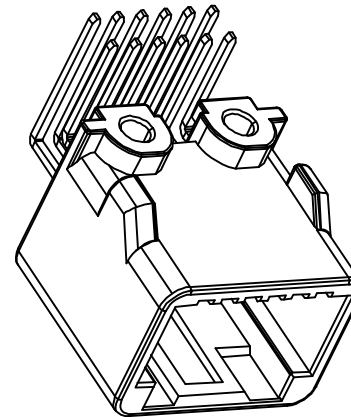
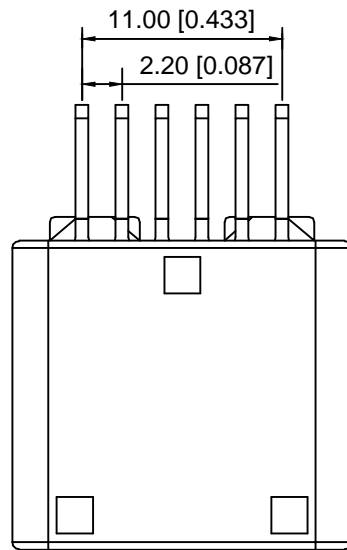
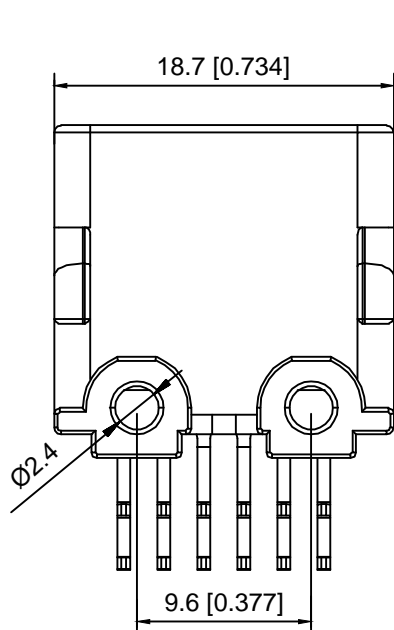
K1318774H-1	PBT		K1123343T	K1318772W
PART NO	Material	Material (Terminal)	Suitable XKB Terminal	Suitable XKB Wafer

DSND		SCALE: N/A	MODEL TYPE: K1318774H-1
DWN		VIEW:	PART NO.:
CHKD		UNIT: mm/in	DWG NO.:
APPD		SIZE: A4	X-K1318774H-1



XKB INDUSTRIAL PRECISION CO., LIMITED

					ANGLAR	±5°
Δx					L ≤ 4	±0.2
Δx					4 < L ≤ 16	±0.3
Δx					16 < L ≤ 63	±0.4
MARK	DESCRIPTION	DATE	REVISED	APPROVED	L > 63	±0.5



K 1318772 W R - 2

① ② ③ ④ ⑤

- ① K :XKBTEK-Car Connectors
- ② XKB Series N0.
- ③ Category: W-WAFER
- ④ Welding Board Angle: R-Right Angle 90°
- ⑤ 2:TYPE2(12Pin)

K1318772WR-2	PBT			K1318774H
PART NO	Material	Material (Terminal)	Finish (Terminal)	Housing

DSND	SCALE: N/A	MODEL TYPE:
DWN	VIEW:	K1318772WR-2
CHKD	UNIT: mm/in	PART NO.:
APPD	SIZE: A4	DWG NO.:
		X-K1318772WR-2



XKB INDUSTRIAL PRECISION CO.,LIMITED

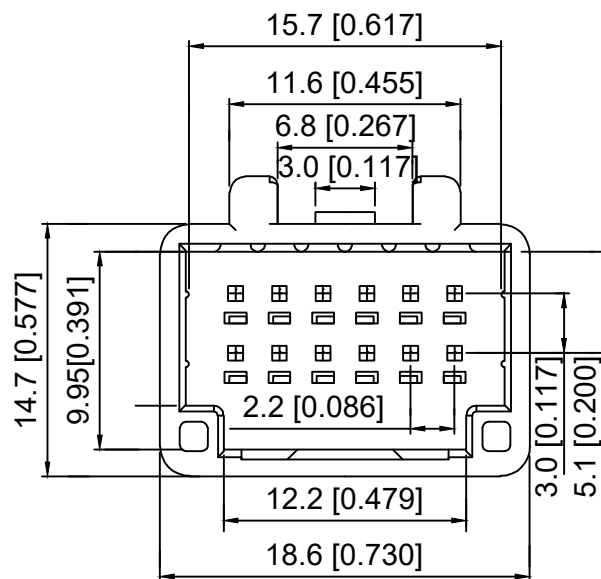
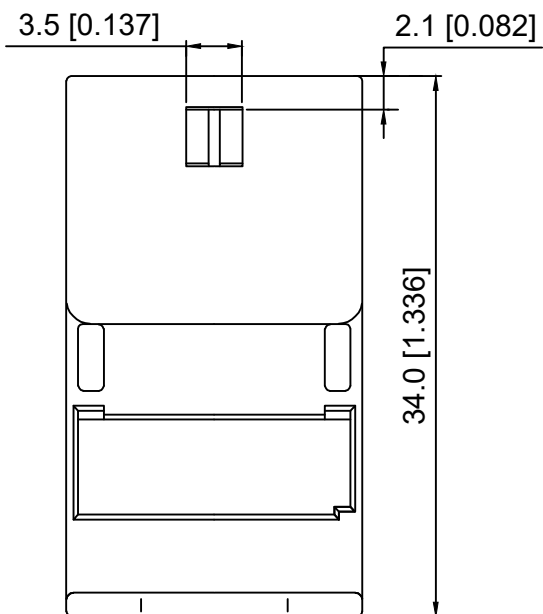
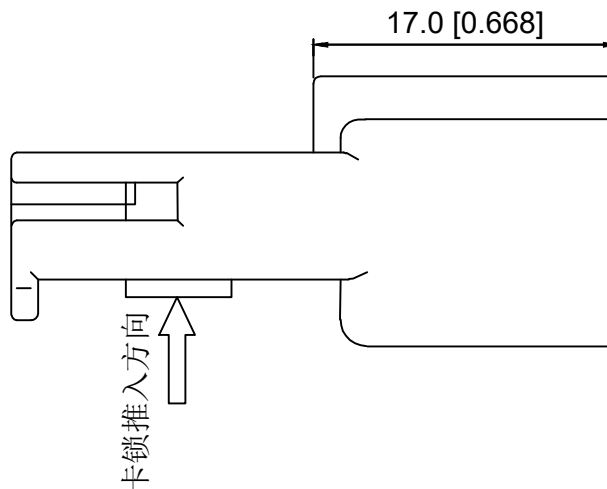
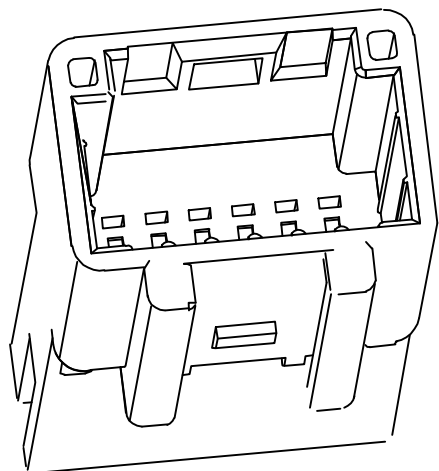
ANGULAR	±5°
L ≤ 4	±0.2
4 < L ≤ 16	±0.3
16 < L ≤ 63	±0.4
L > 63	±0.5

UNSPECIFIED TOLERANCES

WEIGHT	SHEET	REVISION
	1/1	A0

MARK	DESCRIPTION	DATE	REVISED	APPROVED
ΔX				
ΔX				
ΔX				

REVISIONS



K 1473407 H - 1
 ① ② ③ ④

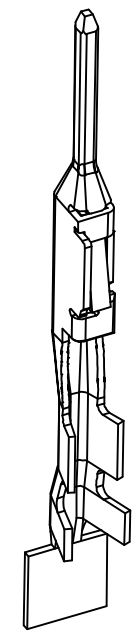
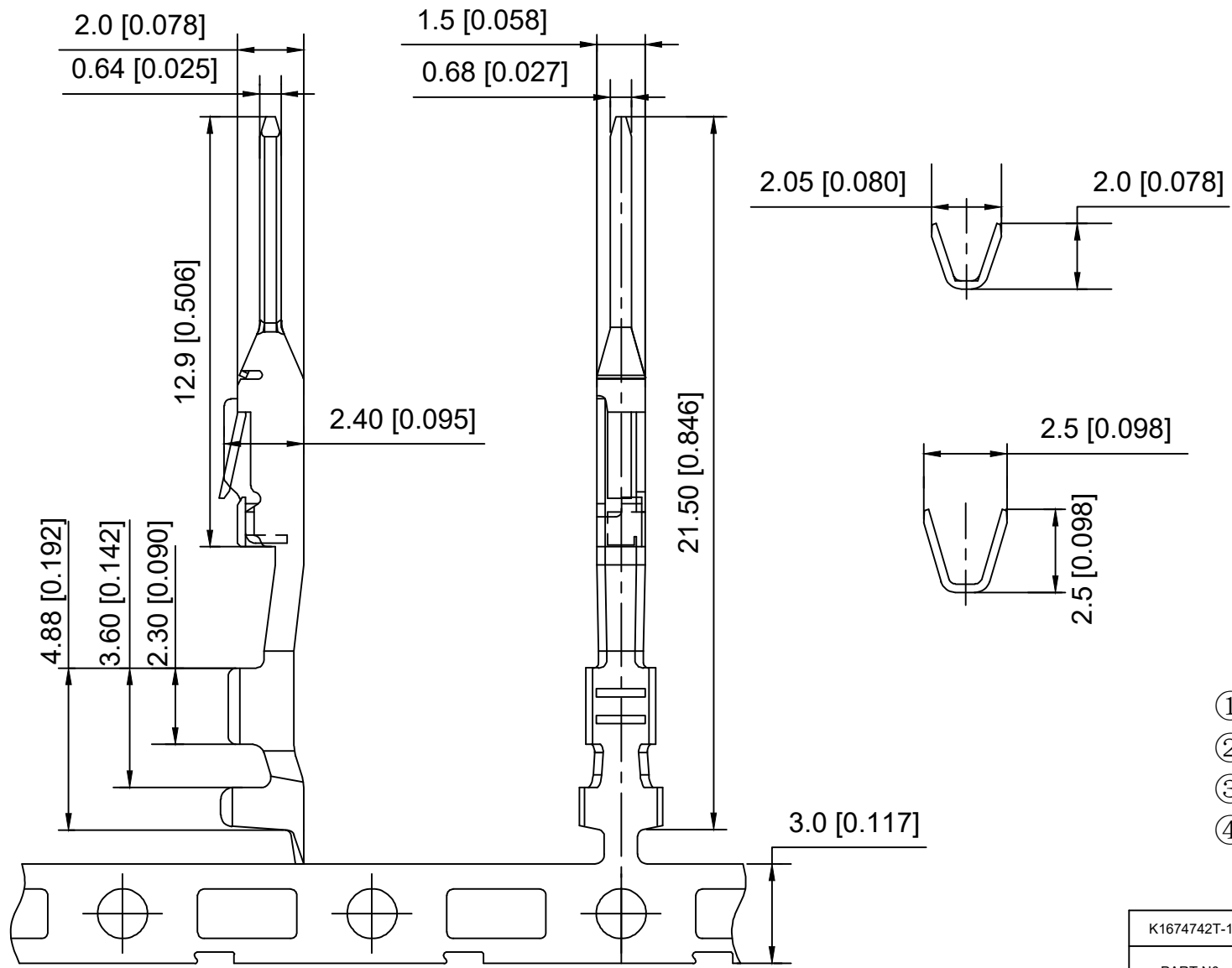
- ① K : XKBTEK-Car Connectors
- ② XKB Series NO.
- ③ Category: H-HSG
- ④ 1: TYPE1 (12Pin)

K1473407H-1	PBT(白色)		K1674742T	K1318774H
PART NO	Material	Material (Terminal)	Suitable XKB Terminal	Suitable XKB Housing

					ANGULAR	±5°
ΔX					L ≤ 4	±0.2
ΔX					4 < L ≤ 16	±0.3
ΔX					16 < L ≤ 63	±0.4
MARK	DESCRIPTION	DATE	REVISED	APPROVED	L > 63	±0.5
REVISIONS					UNSPECIFIED TOLERANCES	
www.helloxkb.com www.helloxkb.cn www.xk-dg.cn						



DSND		SCALE: N/A	MODEL TYPE: K1473407H-1		
DWN		VIEW:	PART NO.:		
CHKD		UNIT: mm/in	DWG NO.:		
APPD		SIZE: A4	X-K1473407H-1		
XKB INDUSTRIAL PRECISION CO., LIMITED			WEIGHT	SHEET	REVISION
				1/1	A0



K 1674742 T - 1

- ①
- ②
- ③
- ④

- ①K :XKBTEK-Car Connectors
- ②XKB Series NO.
- ③Category:T-Terminal
- ④1:TYPE1

K1674742T-1				K1473407H
PART NO	Material	Material (Terminal)	Suitable XKB Terminal	Suitable XKB Housing

DSND	SCALE: N/A	MODEL TYPE: K1674742T-1
DWN	VIEW:	PART NO.:
CHKD	UNIT: mm/in	DWG NO.:
APPD	SIZE: A4	X-K1674742T-1

					ANGLAR	±5°
Δx					L ≤ 4	±0.2
Δx					4 < L ≤ 16	±0.3
Δx					16 < L ≤ 63	±0.4
MARK	DESCRIPTION	DATE	REVISED	APPROVED	L > 63	±0.5
REVISIONS					UNSPECIFIED TOLERANCES	
www.helloxkb.com www.helloxkb.cn www.xk-dg.cn						



XKB INDUSTRIAL PRECISION CO., LIMITED

WEIGHT	SHEET	REVISION
	1/1	A0

X-ON Electronics

Largest Supplier of Electrical and Electronic Components

Click to view similar products for [Automotive Connectors](#) category:

Click to view products by [XKB](#) manufacturer:

Other Similar products are found below :

[003-018-000](#) [60993906-B](#) [M902-2131](#) [M902-2161](#) [M902-2344](#) [72.330.1035.1](#) [73.353.4028.0](#) [F166900](#) [F358300-B](#) [F407400](#) [776880-1](#)
[827153-1](#) [8N1515-32-24P](#) [9-1326729-8](#) [925474-1](#) [928905-1](#) [964562-4](#) [968782-1](#) [98891-1012](#) [12004475-L](#) [12020308](#) [12041318-B](#)
[12052466](#) [12059716](#) [12064869](#) [12015909](#) [1-21030-1](#) [12041254](#) [12041318](#) [12047946-B](#) [12110546-B](#) [12131792](#) [12084688](#) [12092346](#)
[HD34-18-14PT](#) [HD46-24-23SN-059](#) [HDB36-24-16PN-059](#) [HDP26-24-9SE-L015](#) [12185280](#) [12185550](#) [12336-12](#) [12191172-B](#) [12S](#)
[13545280](#) [13577943](#) [13681974](#) [13737722-B](#) [13830674](#) [13832576](#) [13849772](#)