

**K 1318853 W R - 2**  
① ② ③ ④ ⑤

- ①K : XKBTEK-Car Connectors
- ②XKB Series No.
- ③Category: W-WAFER
- ④Welding Board Angle: R-Right Angle 90°
- ⑤2:TYPE2(24Pin)

K1318853WR-2	PBT			K1318917H
PART NO	Material	Material (Terminal)	Finish (Terminal)	Mates With XKB Pin Header

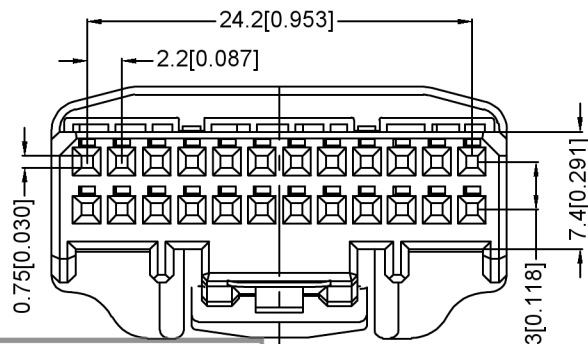
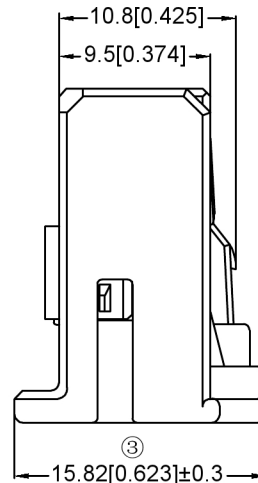
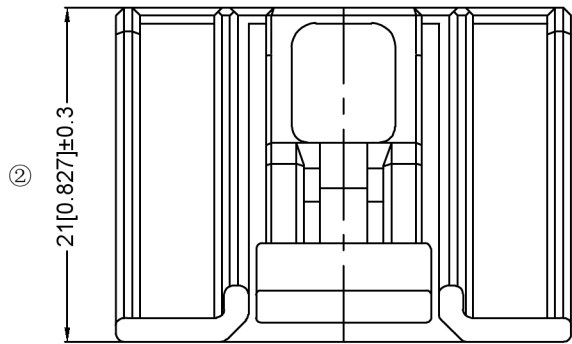
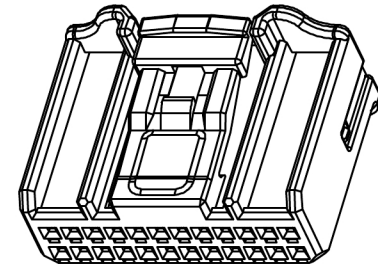
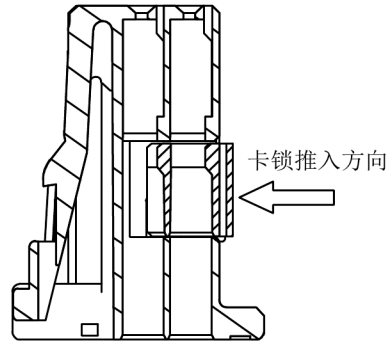
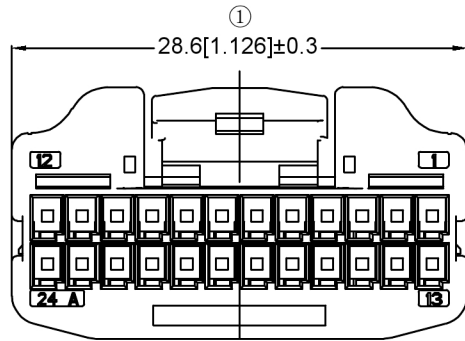
广东星坤科技股份有限公司

生效 日期

文件工程章

REVISIONS	UNSPECIFIED TOLERANCES
DATE	REVISD
APPROVED	ANGLAR ±5°
	L ≤ 4 ±0.2
	4 < L ≤ 16 ±0.3
	16 < L ≤ 63 ±0.4
	L > 63 ±0.5

<b>XKB</b>	DSND	SCALE: N/A	MODEL TYPE: K1318853WR-2		
	DWN	VIEW:	PART NO.:		
	CHKD	UNIT: mm/in	DWG NO.:		
	APPD	SIZE: A4	X-K1318853WR-2		
KXB INDUSTRIAL PRECISION CO.,LIMITED			WEIGHT	SHEET	REVISION
				1/1	A0



**K 1318917 H - 1**  
 ① ② ③ ④

- ①K :XKBTEK-Car Connectors
- ②XKB Series NO.
- ③Category: H-HSG
- ④1:TYPE1 (24PIN)

K1318917H-1	PBT(白色)		K1123343T	K1318853W
PART NO	Material	Material (Terminal)	Suitable XKB Terminal	Suitable XKB Wafer

广东星坤科技股份有限公司

生	日期
数	日期

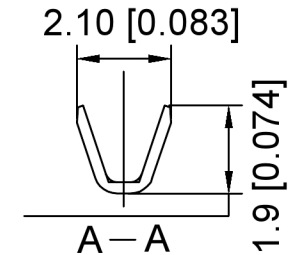
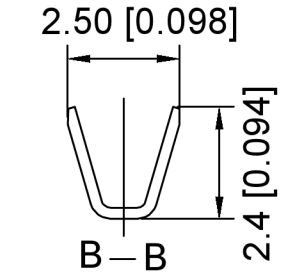
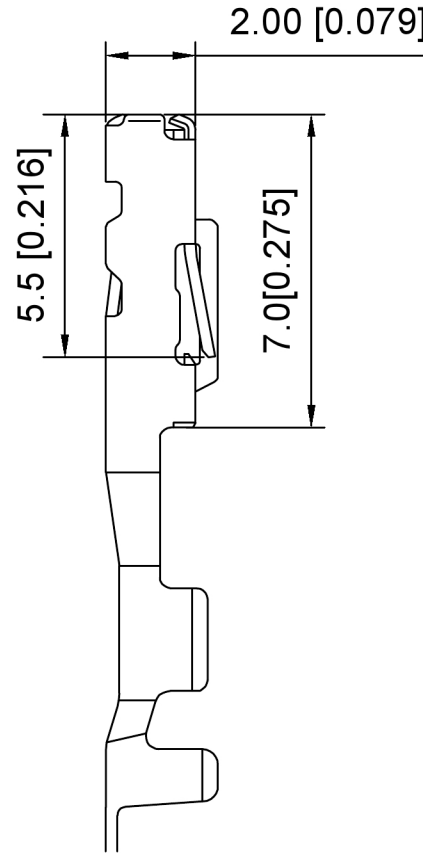
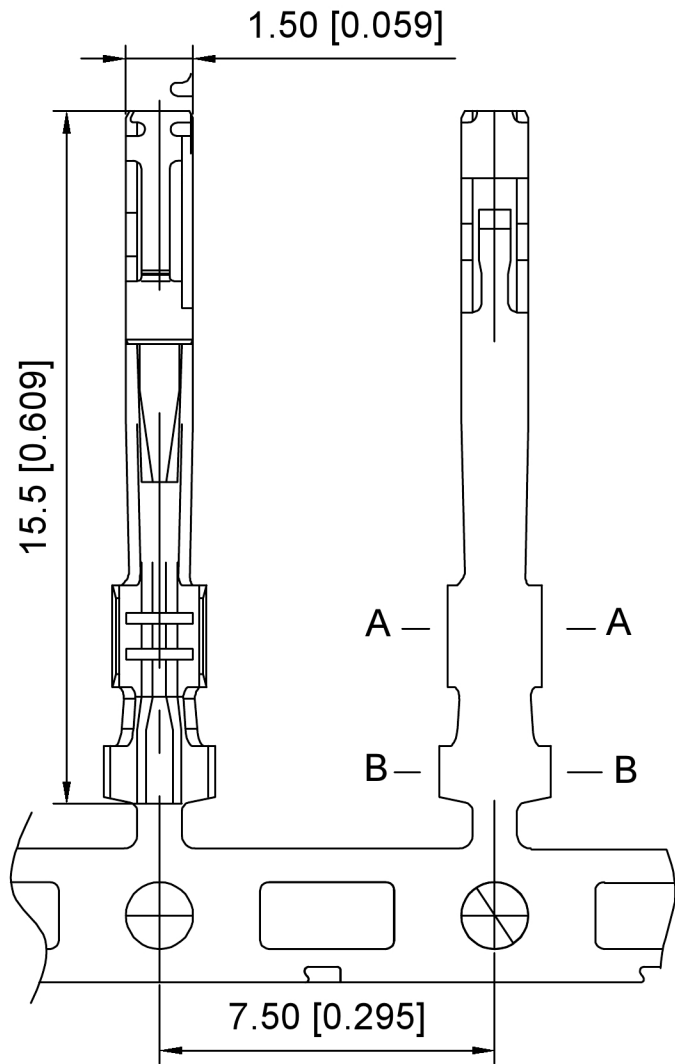
文件工程草

MARK	DESCRIPTION	DATE	REVISED	APPROVED	UNSPECIFIED TOLERANCES
	REVISIONS				
					ANGLAR ±5°
					L ≤ 4 ±0.2
					4 < L ≤ 16 ±0.3
					16 < L ≤ 63 ±0.4
					L > 63 ±0.5



XKB INDUSTRIAL PRECISION CO., LIMITED

DSND	SCALE: N/A	MODEL TYPE: K1318917H-1
DWN	VIEW:	PART NO.:
CHKD	UNIT: mm/in	DWG NO.:
APPD	SIZE: A4	X-K1318917H-1
	WEIGHT	SHEET
		1/1
	REVISION	A0



**K 1123343 T - 1**

① ② ③ ④

- ① K : XKBTEK-Car Connectors
- ② XKB Series NO.
- ③ Category: T-Terminal
- ④ 1: TYPE1

K1123343T-1	C5191	AWG#20-24	X1318747H	K1318917H	K1318389H
PART NO	Material	Wire Range	Suitable XKB Housing	Suitable XKB Housing	Suitable XKB Housing

广东星坤科技股份有限公司

生效	日期
文件	工程章

REVISIONS	DATE	REVISED	APPROVED	UNSPECIFIED TOLERANCES



DSND	SCALE: N/A	MODEL TYPE: K1123343T-1
DWN	VIEW:	PART NO.:
CHKD	UNIT: mm/in	DWG NO.:
APPD	SIZE: A4	X-K1123343T-1
XKB INDUSTRIAL PRECISION CO., LIMITED		WEIGHT
		SHEET 1/1
		REVISION A0

## X-ON Electronics

Largest Supplier of Electrical and Electronic Components

*Click to view similar products for [Automotive Connectors](#) category:*

*Click to view products by [XKB](#) manufacturer:*

Other Similar products are found below :

[003-018-000](#) [60993906-B](#) [M902-2131](#) [M902-2161](#) [M902-2344](#) [72.330.1035.1](#) [73.353.4028.0](#) [F166900](#) [F358300-B](#) [F407400](#) [776880-1](#)  
[827153-1](#) [8N1515-32-24P](#) [9-1326729-8](#) [925474-1](#) [928905-1](#) [964562-4](#) [968782-1](#) [98891-1012](#) [12004475-L](#) [12020308](#) [12041318-B](#)  
[12052466](#) [12059716](#) [12064869](#) [12015909](#) [1-21030-1](#) [12041254](#) [12041318](#) [12047946-B](#) [12110546-B](#) [12131792](#) [12084688](#) [12092346](#)  
[HD34-18-14PT](#) [HD46-24-23SN-059](#) [HDB36-24-16PN-059](#) [HDP26-24-9SE-L015](#) [12185280](#) [12185550](#) [12336-12](#) [12191172-B](#) [12S](#)  
[13545280](#) [13577943](#) [13681974](#) [13737722-B](#) [13830674](#) [13832576](#) [13849772](#)