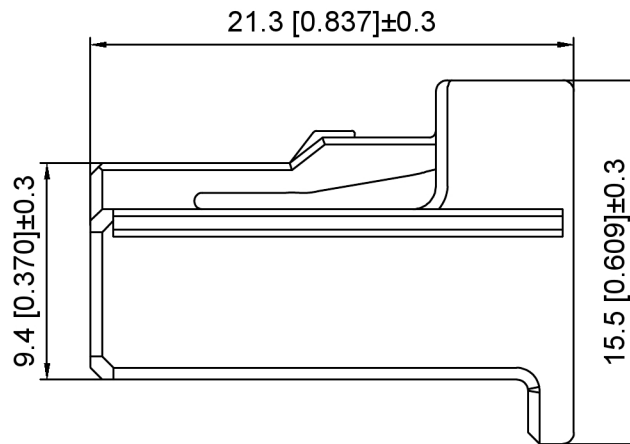
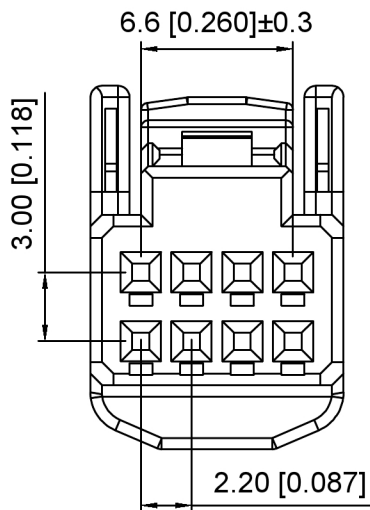


Temperature range:-40°C-+125°C
 温度范围: -40°C-+125°C

K 137635 H M - 2xXX - PT X
 ① ② ③ ④ ⑤ ⑥ ⑦

- 1.K: XKBTEK-Car Connector
- 2.XKB Series No
- 3.Category:H-Housing
- 4.Category:M-Male Housing
- 5.Row No.Pin No:2xXX-2x04 Pin
- 6.Material:PT-PBT
- 7.Color:B-Black ; W-White



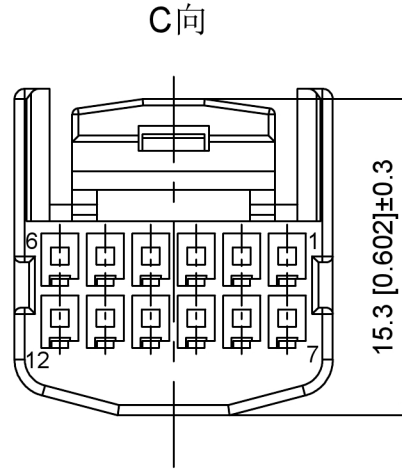
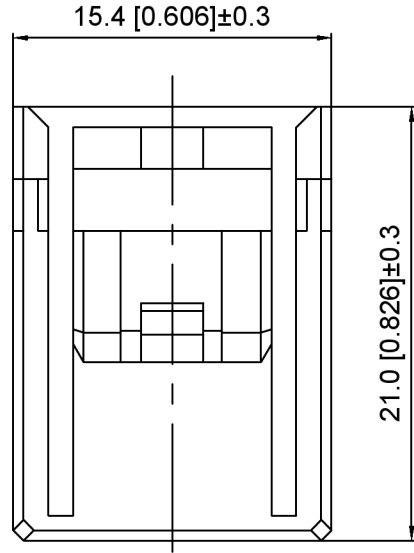
K137635HM-2xXX-PTX	PBT	K137635W	K137635HF	K137635TF
PART NO	Material	Suitable XKB Wafer	Suitable XKB Housing	Suitable XKB Terminal

MARK	DESCRIPTION	DATE	REVISED	APPROVED	UNSPECIFIED TOLERANCES
	REVISIONS				
					ANGLAR ±5°
ΔX					L ≤ 4 ±0.2
ΔX					4 < L ≤ 16 ±0.3
ΔX					16 < L ≤ 63 ±0.4
MARK					L > 63 ±0.5



XKB INDUSTRIAL PRECISION CO., LIMITED

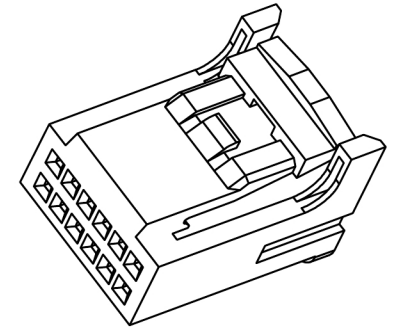
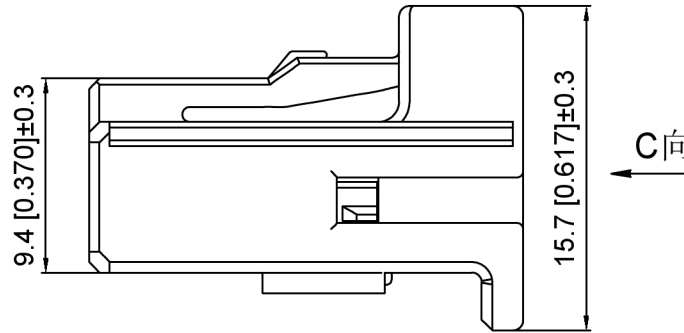
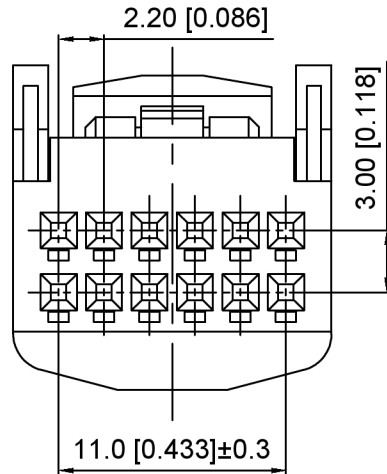
DSND		SCALE: N/A	MODEL TYPE: 2.2mm Automobile connector
DWN		VIEW:	PART NO.: K137635HM-2xXX-PTX
CHKD		UNIT: mm/in	DWG NO.: X-K137635HM-2xXX-PTX
APPD		SIZE: A4	WEIGHT SHEET REVISION
			1/1 A0



Temperature range: -40°C-+125°C
 温度范围: -40°C-+125°C

K 137635 H M - 2xXX - PT X
 ① ② ③ ④ ⑤ ⑥ ⑦

- 1.K: XKBTEK-Car Connector
- 2.XKB Series No
- 3.Category:H-Housing
- 4.Category:M-Male Housing
- 5.Row No.Pin No:2xXX-2x06 Pin
- 6.Material:PT-PBT
- 7.Color:B-Black ; W-White

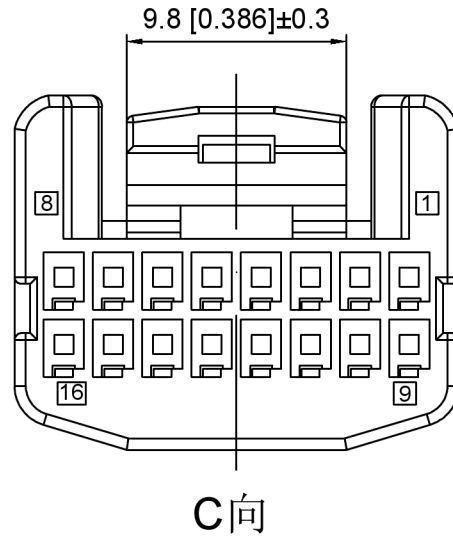
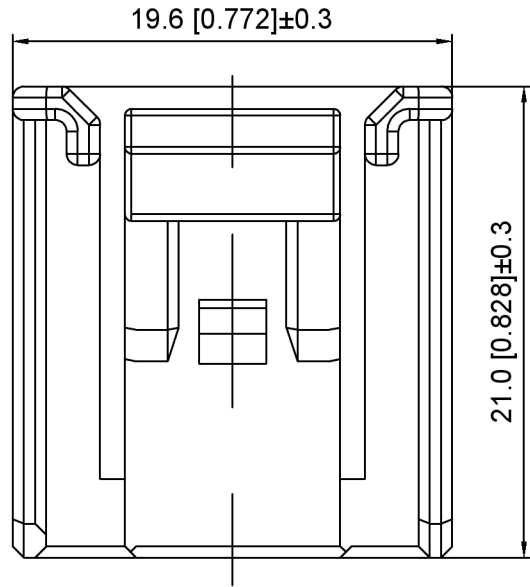


K137635HM-2xXX-PTX	PBT	K137635W	K137635HF	K137635TF
PART NO	Material	Suitable XKB Wafer	Suitable XKB Housing	Suitable XKB Terminal

					ANGLAR	±5°
Δx					L ≤ 4	±0.2
Δx					4 < L ≤ 16	±0.3
Δx					16 < L ≤ 63	±0.4
MARK					L > 63	±0.5
REVISIONS						UNSPECIFIED TOLERANCES



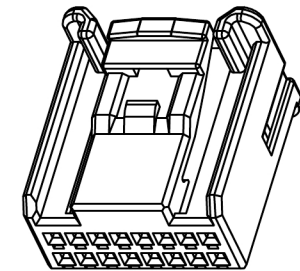
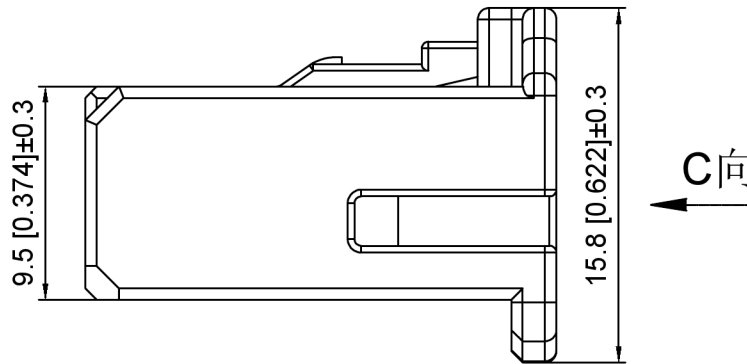
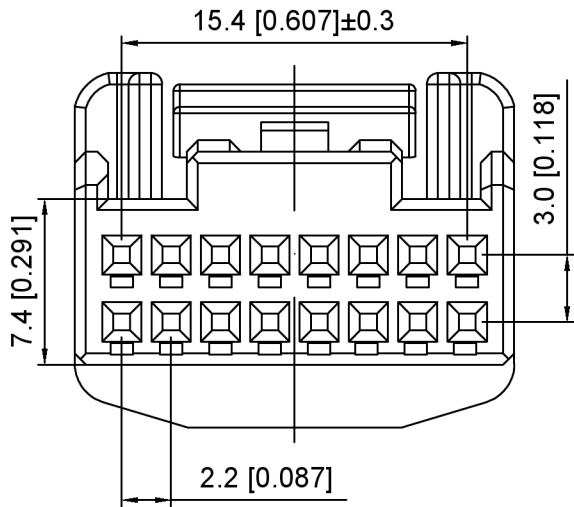
DSND		SCALE: N/A	MODEL TYPE: 2.2mm Automobile connector
DWN		VIEW:	PART NO.: K137635HM-2xXX-PTX
CHKD		UNIT: mm/in	DWG NO.: X-K137635HM-2xXX-PTX
APPD		SIZE: A4	
KXB INDUSTRIAL PRECISION CO.,LIMITED			WEIGHT
			SHEET
			REVISION
			1/1
			A0



Temperature range: -40°C - +125°C
 温度范围: -40°C - +125°C

K 137635 H M - 2xXX - PT X
 ① ② ③ ④ ⑤ ⑥ ⑦

- 1.K: XKBTEK-Car Connector
- 2.XKB Series No
- 3.Category:H-Housing
- 4.Category:M-Male Housing
- 5.Row No.Pin No:2xXX-2x08 Pin
- 6.Material:PT-PBT
- 7.Color:B-Black ; W-White



K137635HM-2xXX-PTX	PBT	K137635W	K137635HF	K137635TF
PART NO	Material	Suitable XKB Wafer	Suitable XKB Housing	Suitable XKB Terminal

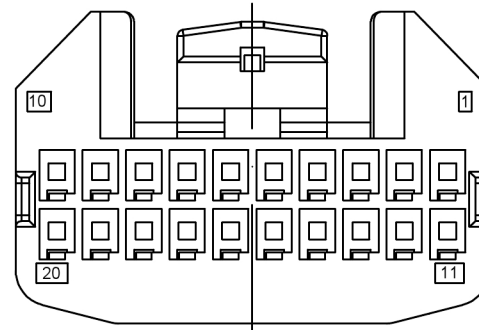
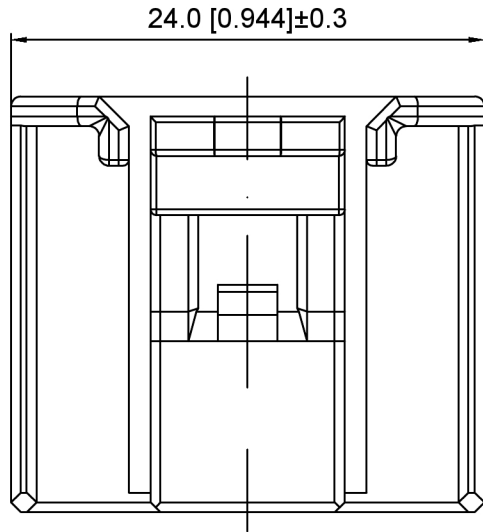
					ANGLAR	±5°
ΔX					L ≤ 4	±0.2
ΔX					4 < L ≤ 16	±0.3
ΔX					16 < L ≤ 63	±0.4
MARK					L > 63	±0.5
REVISIONS						UNSPECIFIED TOLERANCES



DSND		SCALE: N/A
DWN		VIEW:
CHKD		UNIT: mm/in
APPD		SIZE: A4

MODEL TYPE: 2.2mm Automobile connector		
PART NO.: K137635HM-2xXX-PTX		
DWG NO.: X-K137635HM-2xXX-PTX		
WEIGHT	SHEET	REVISION
	1/1	A0

XKB INDUSTRIAL PRECISION CO., LIMITED

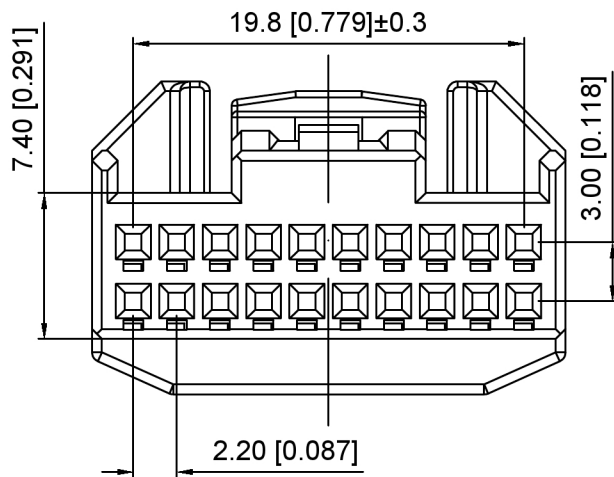


C向

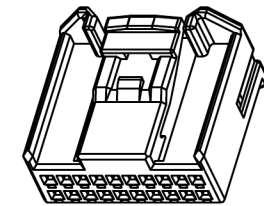
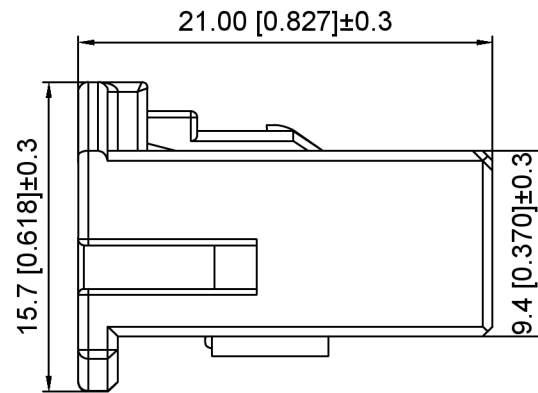
Temperature range:-40°C-+125°C
温度范围: -40°C-+125°C

K 137635 H M - 2xXX - PT X
① ② ③ ④ ⑤ ⑥ ⑦

- 1.K: XKBTEK-Car Connector
- 2.XKB Series No
- 3.Category:H-Housing
- 4.Category:M-Male Housing
- 5.Row No.Pin No:2xXX-2x10 Pin
- 6.Material:PT-PBT
- 7.Color:B-Black ; W-White



C向



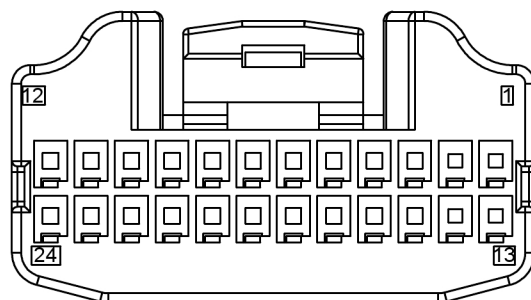
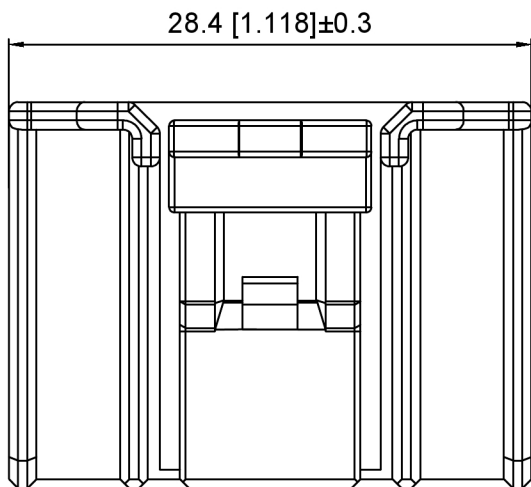
K137635HM-2xXX-PTX	PBT	K137635W	K137635HF	K137635TF
PART NO	Material	Suitable XKB Wafer	Suitable XKB Housing	Suitable XKB Terminal

ΔX					ANGULAR	±5°
ΔX					L ≤ 4	±0.2
ΔX					4 < L ≤ 16	±0.3
MARK	DESCRIPTION	DATE	REVISED	APPROVED	16 < L ≤ 63	±0.4
					L > 63	±0.5
REVISIONS					UNSPECIFIED TOLERANCES	
www.helloxkb.com www.helloxkb.cn www.xk-dg.cn						



XKB INDUSTRIAL PRECISION CO., LIMITED

DSND		SCALE: N/A	MODEL TYPE: 2.2mm Automobile connector
DWN		VIEW:	PART NO.: K137635HM-2xXX-PTX
CHKD		UNIT: mm/in	DWG NO.: X-K137635HM-2xXX-PTX
APPD		SIZE: A4	
	WEIGHT	SHEET	REVISION
		1/1	A0

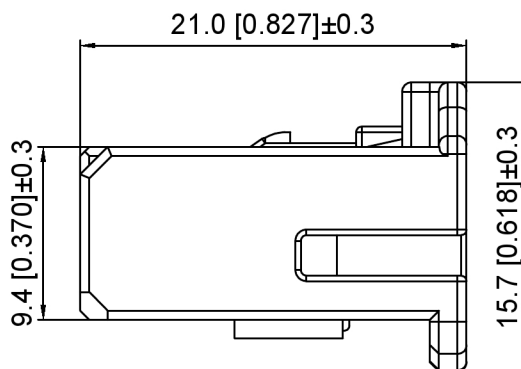
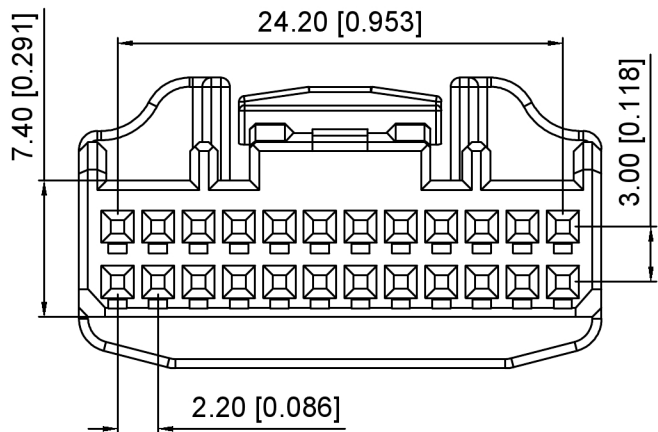


C向

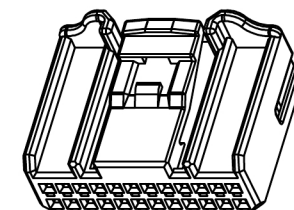
Temperature range: -40°C - +125°C
 温度范围: -40°C - +125°C

K 137635 H M - 2xXX - PT X
 ① ② ③ ④ ⑤ ⑥ ⑦

- 1.K: XKBTEK-Car Connector
- 2.XKB Series No
- 3.Category:H-Housing
- 4.Category:M-Male Housing
- 5.Row No.Pin No:2xXX-2x12 Pin
- 6.Material:PT-PBT
- 7.Color:B-Black ; W-White



C向



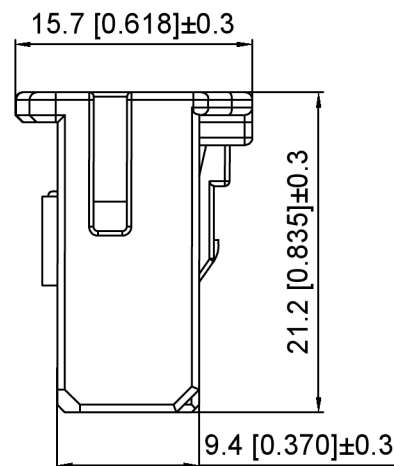
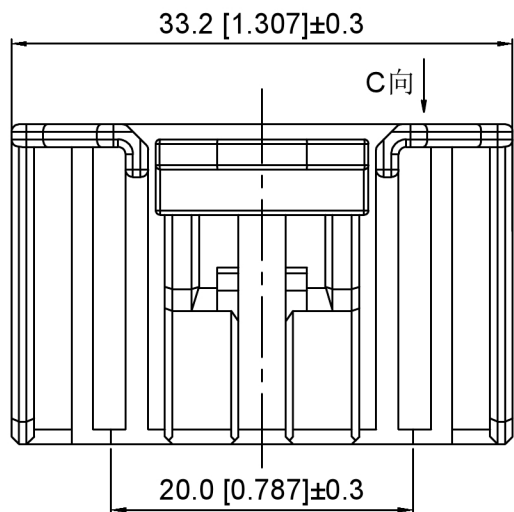
K137635HM-2xXX-PTX	PBT	K137635W	K137635HF	K137635TF
PART NO	Material	Suitable XKB Wafer	Suitable XKB Housing	Suitable XKB Terminal

DSND	SCALE: N/A	MODEL TYPE: 2.2mm Automobile connector
DWN	VIEW:	PART NO.: K137635HM-2xXX-PTX
CHKD	UNIT: mm/in	DWG NO.: X-K137635HM-2xXX-PTX
APPD	SIZE: A4	
	WEIGHT	SHEET
		1/1
	REVISION	A0

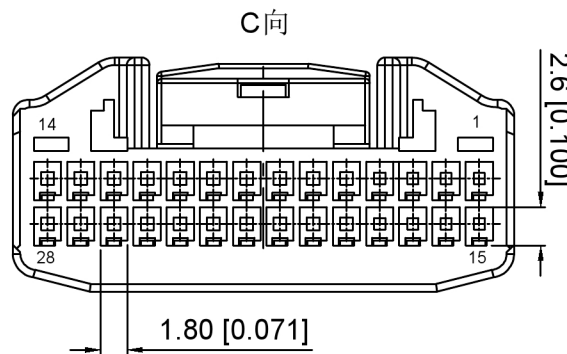
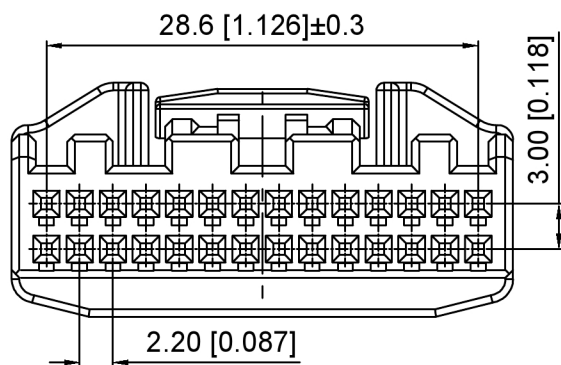


XKB INDUSTRIAL PRECISION CO., LIMITED

					ANGLAR	±5°
ΔX					L ≤ 4	±0.2
ΔX					4 < L ≤ 16	±0.3
ΔX					16 < L ≤ 63	±0.4
MARK					L > 63	±0.5
					UNSPECIFIED TOLERANCES	



Temperature range: -40°C-+125°C
 温度范围: -40°C-+125°C



K 137635 H M - 2xXX - PT X
 ① ② ③ ④ ⑤ ⑥ ⑦

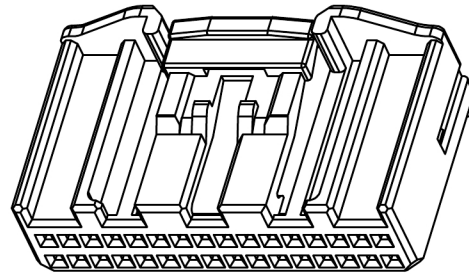
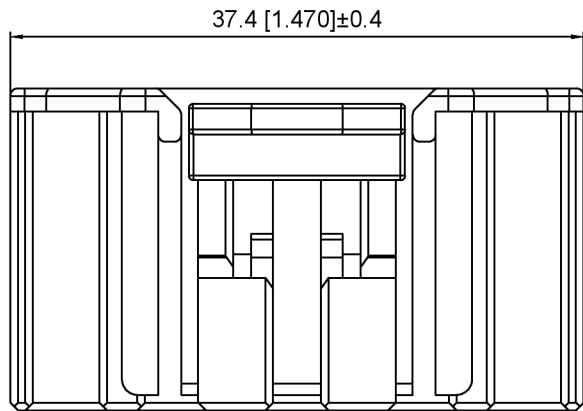
- 1.K: XKBTEK-Car Connector
- 2.XKB Series No
- 3.Category:H-Housing
- 4.Category:M-Male Housing
- 5.Row No.Pin No:2xXX-2x14 Pin
- 6.Material:PT-PBT
- 7.Color:B-Black ; W-White

K137635HM-2xXX-PTX	PBT	K137635W	K137635HF	K137635TF
PART NO	Material	Suitable XKB Wafer	Suitable XKB Housing	Suitable XKB Terminal

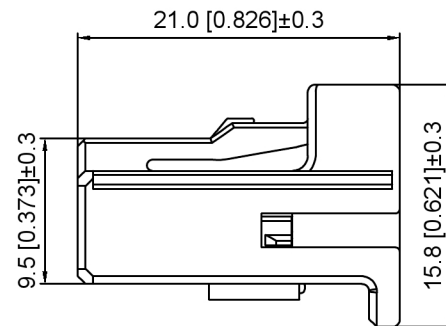
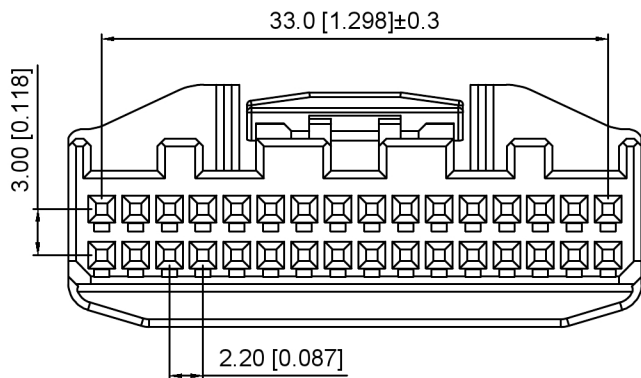
					ANGLAR	±5°
ΔX					L ≤ 4	±0.2
ΔX					4 < L ≤ 16	±0.3
ΔX					16 < L ≤ 63	±0.4
MARK	DESCRIPTION	DATE	REVISED	APPROVED	L > 63	±0.5
REVISIONS					UNSPECIFIED TOLERANCES	
www.helloxkb.com www.helloxkb.cn www.xk-dg.cn						



DSND		SCALE: N/A	MODEL TYPE: 2.2mm Automobile connector		
DWN		VIEW:	PART NO.: K137635HM-2xXX-PTX		
CHKD		UNIT: mm/in	DWG NO.: X-K137635HM-2xXX-PTX		
APPD		SIZE: A4	WEIGHT	SHEET	REVISION
XKB INDUSTRIAL PRECISION CO., LIMITED			1/1	A0	



Temperature range: -40°C-+125°C
 温度范围: -40°C-+125°C



K 137635 H M - 2xXX - PT X
 ① ② ③ ④ ⑤ ⑥ ⑦

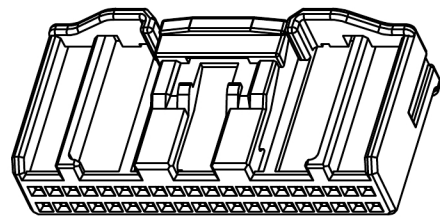
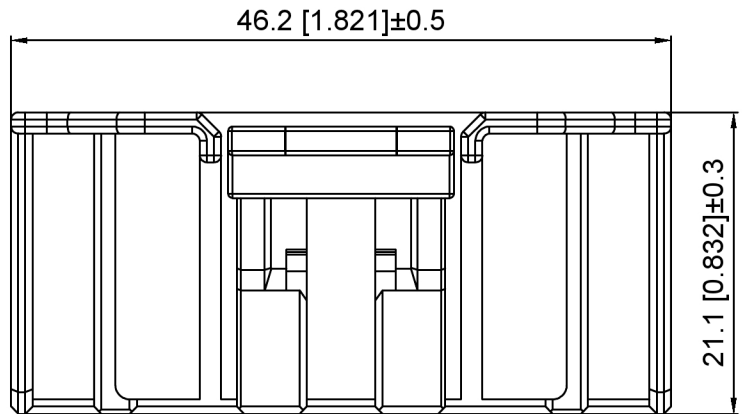
- 1.K: XKBTEK-Car Connector
- 2.XKB Series No
- 3.Category:H-Housing
- 4.Category:M-Male Housing
- 5.Row No.Pin No:2xXX-2x16 Pin
- 6.Material:PT-PBT
- 7.Color:B-Black ; W-White

K137635HM-2xXX-PTX	PBT	K137635W	K137635HF	K137635TF
PART NO	Material	Suitable XKB Wafer	Suitable XKB Housing	Suitable XKB Terminal

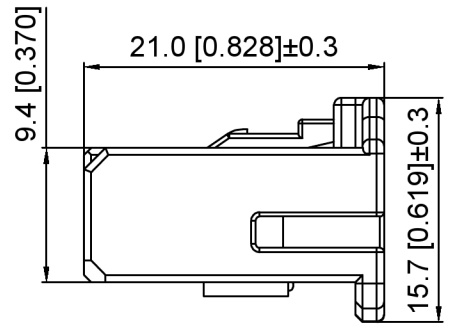
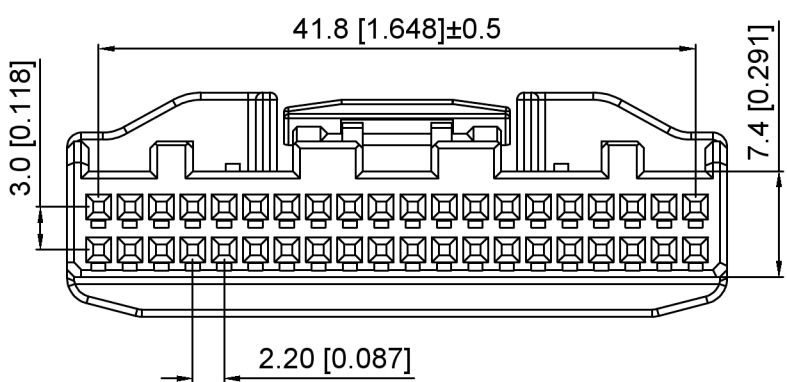
					ANGLAR	±5°
ΔX					L ≤ 4	±0.2
ΔX					4 < L ≤ 16	±0.3
ΔX					16 < L ≤ 63	±0.4
MARK	DESCRIPTION	DATE	REVISED	APPROVED	L > 63	±0.5
REVISIONS					UNSPECIFIED TOLERANCES	



DSND		SCALE: N/A	MODEL TYPE: 2.2mm Automobile connector		
DWN		VIEW:	PART NO.: K137635HM-2xXX-PTX		
CHKD		UNIT: mm/in	DWG NO.: X-K137635HM-2xXX-PTX		
APPD		SIZE: A4	WEIGHT	SHEET	REVISION
XKB INDUSTRIAL PRECISION CO., LIMITED				1/1	A0



Temperature range:-40°C-+125°C
 温度范围: -40°C-+125°C



K 137635 H M - 2xXX - PT X
 ① ② ③ ④ ⑤ ⑥ ⑦

- 1.K: XKBTEK-Car Connector
- 2.XKB Series No
- 3.Category:H-Housing
- 4.Category:M-Male Housing
- 5.Row No.Pin No:2xXX-2x20 Pin
- 6.Material:PT-PBT
- 7.Color:B-Black ; W-White

K137635HM-2xXX-PTX	PBT	K137635W	K137635HF	K137635TF
PART NO	Material	Suitable XKB Wafer	Suitable XKB Housing	Suitable XKB Terminal

MARK	DESCRIPTION	DATE	REVISED	APPROVED	UNSPECIFIED TOLERANCES
					ANGLAR ±5°
ΔX					L ≤ 4 ±0.2
ΔX					4 < L ≤ 16 ±0.3
ΔX					16 < L ≤ 63 ±0.4
					L > 63 ±0.5
REVISIONS					
www.helloxkb.com www.helloxkb.cn www.xk-dg.cn					



DSND	SCALE: N/A	MODEL TYPE: 2.2mm Automobile connector
DWN	VIEW:	PART NO.: K137635HM-2xXX-PTX
CHKD	UNIT: mm/in	DWG NO.: X-K137635HM-2xXX-PTX
APPD	SIZE: A4	WEIGHT SHEET REVISION 1/1 A0
XKB INDUSTRIAL PRECISION CO., LIMITED		

X-ON Electronics

Largest Supplier of Electrical and Electronic Components

Click to view similar products for [Automotive Connectors](#) category:

Click to view products by [XKB](#) manufacturer:

Other Similar products are found below :

[003-018-000](#) [60993906-B](#) [72.330.1035.1](#) [776880-1](#) [827153-1](#) [9-1326729-8](#) [9-221607-5](#) [925474-1](#) [928905-1](#) [964562-4](#) [968782-1](#) [12004468](#)
[12004475-L](#) [12004483](#) [12052466](#) [12066163](#) [12015909](#) [12077753](#) [1-21030-1](#) [12047957](#) [12047958](#) [12084688](#) [12185550](#) [12336-12](#) [1-](#)
[326211-1](#) [13681974](#) [13688972](#) [13755420](#) [13779834](#) [13783086](#) [13843152](#) [13522378](#) [13581967](#) [13669624](#) [13675513](#) [13753471](#) [13946876](#)
[13953457](#) [13955963](#) [13964573](#) [13971791](#) [13790534-L](#) [13797473](#) [13805590](#) [13888202](#) [13969981](#) [1428188-1](#) [1437287-3](#) [1428188-2](#) [DS07-](#)
[19S-5020](#)