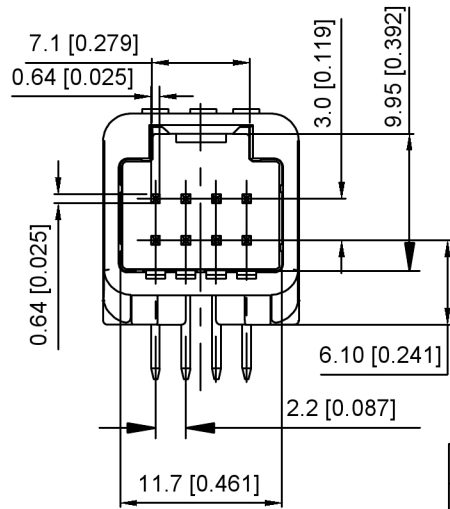
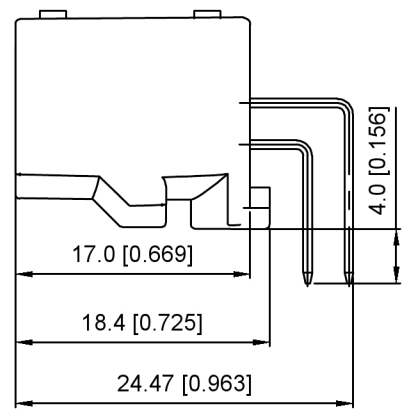
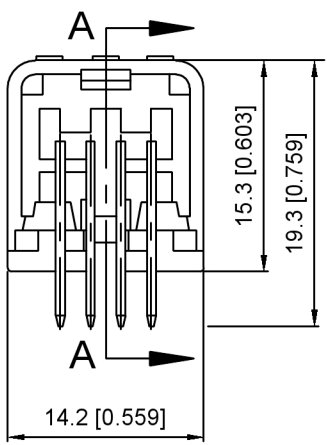


A-A

Current rating: 3A AC/DC
 额定电流: 3A AC/DC
 Temperature range: -40°C~+125°C
 温度范围: -40°C~+125°C



K 137635 W R - 2xXX - PT SN X
 ① ② ③ ④ ⑤ ⑥ ⑦ ⑧

- 1.K: XKBTEK-Car Connector
- 2.XKB Series No
- 3.Category:W-Wafer
- 4.Welding Board Range:R-Stright 90°
- 5.Row No.Pin No:2xXX-2x04 Pin
- 6.Material:PT-PBT+GF15
- 7.Palting:SN-Plated Tin
- 8.Color:B-Black ; W-White

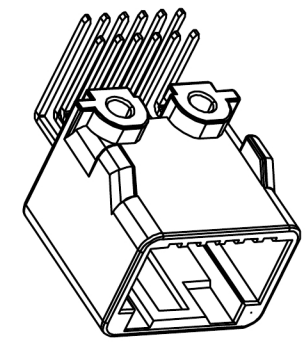
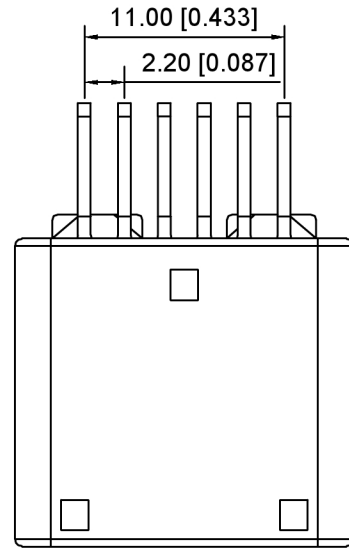
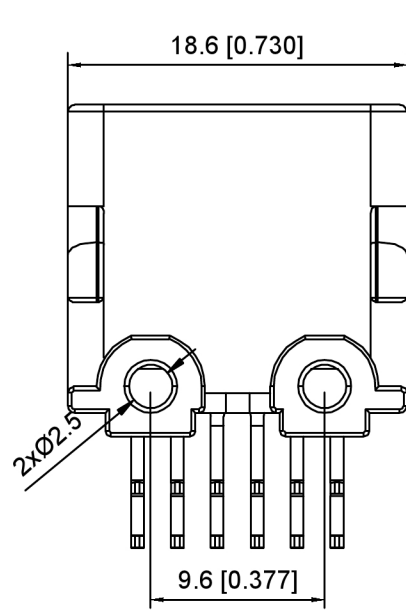
K137635WR-2xXX-PTSNX	PBT	Brass	K137635HM
PART NO	Material	Material(Pin)	Suitable XKB Housing

DSND	SCALE: N/A	MODEL TYPE: 2.2mm Automobile connector
DWN	VIEW:	PART NO.: K137635WR-2xXX-PTSNX
CHKD	UNIT: mm/in	DWG NO.: X-K137635WR-2xXX-PTSNX
APPD	SIZE: A4	WEIGHT SHEET REVISION

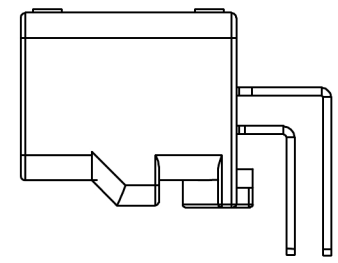
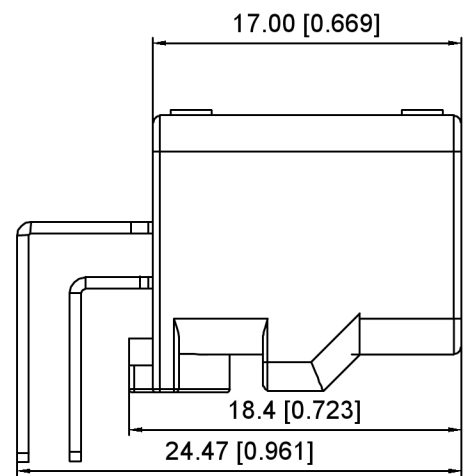
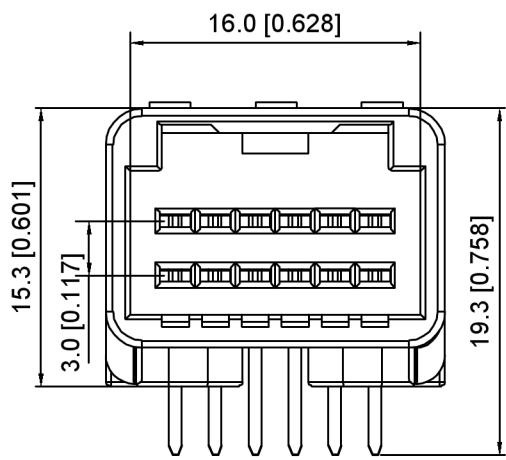
					ANGLAR	±5°
ΔX					L ≤ 4	±0.2
ΔX					4 < L ≤ 16	±0.3
ΔX					16 < L ≤ 63	±0.4
MARK					L > 63	±0.5
REVISIONS					UNSPECIFIED TOLERANCES	
	DESCRIPTION	DATE	REVISED	APPROVED		



XKB INDUSTRIAL PRECISION CO., LIMITED



Current rating:3A AC/DC
 额定电流: 3A AC/DC
 Temperature range:-40°C-+125°C
 温度范围: -40°C-+125°C



K 137635 W R - 2xXX - PT SN X
 ① ② ③ ④ ⑤ ⑥ ⑦ ⑧

- 1.K: XKBTEK-Car Connector
- 2.XKB Series No
- 3.Category:W-Wafer
- 4.Welding Board Range:R-Straight 90°
- 5.Row No.Pin No:2xXX-2x06 Pin
- 6.Material:PT-PBT+GF15
- 7.Palting:SN-Plated Tin
- 8.Color:B-Black ; W-White

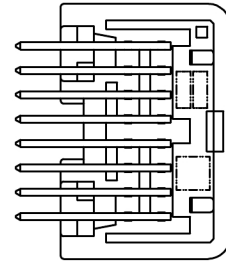
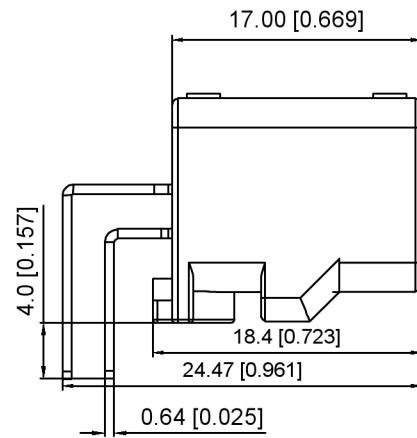
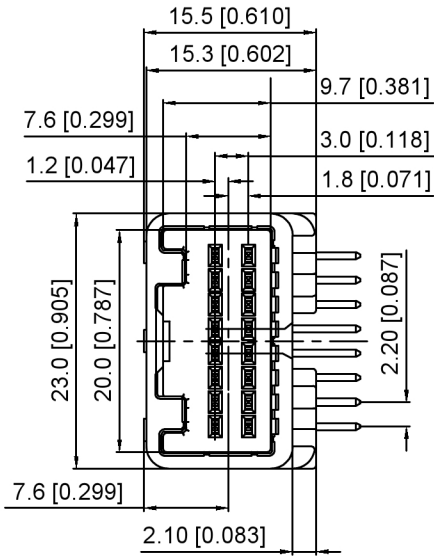
K137635WR-2xXX-PTSX	PBT	Brass	K137635HM
PART NO	Material	Material(Pin)	Suitable XKB Housing

MARK	DESCRIPTION	DATE	REVISED	APPROVED	UNSPECIFIED TOLERANCES
					ANGULAR ±5°
ΔX					L ≤ 4 ±0.2
ΔX					4 < L ≤ 16 ±0.3
ΔX					16 < L ≤ 63 ±0.4
MARK					L > 63 ±0.5
REVISIONS					
www.helloxkb.com www.helloxkb.cn www.xk-dg.cn					

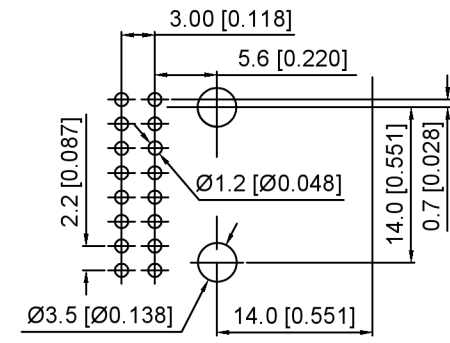
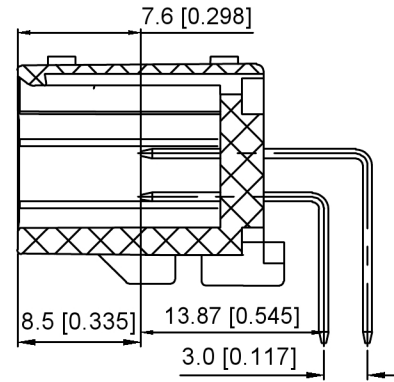
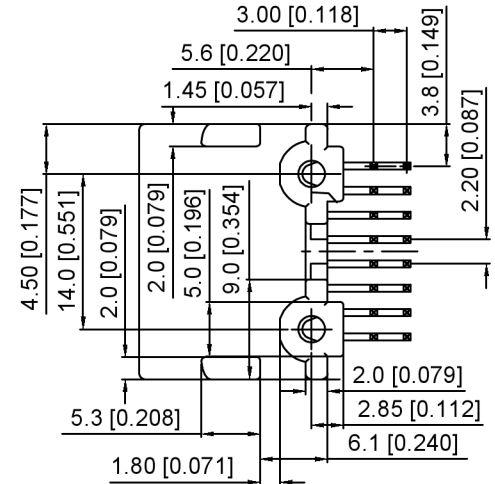


DSND	SCALE: N/A	MODEL TYPE: 2.2mm Automobile connector
DWN	VIEW:	PART NO.: K137635WR-2xXX-PTSX
CHKD	UNIT: mm/in	DWG NO.: X-K137635WR-2xXX-PTSX
APPD	SIZE: A4	WEIGHT SHEET REVISION 1/1 A0

XKB INDUSTRIAL PRECISION CO., LIMITED



Current rating:3A AC/DC
 额定电流: 3A AC/DC
 Temperature range:-40°C~+125°C
 温度范围: -40°C~+125°C



K 137635 W R - 2xXX - PT SN X
 ① ② ③ ④ ⑤ ⑥ ⑦ ⑧

- 1.K: XKBTEK-Car Connector
- 2.XKB Series No
- 3.Category:W-Wafer
- 4.Welding Board Angle:R-Straight 90°
- 5.Row No.Pin No:2xXX-2x08 Pin
- 6.Material:PT-PBT+GF15
- 7.Palting:SN-Plated Tin
- 8.Color:B-Black ; W-White

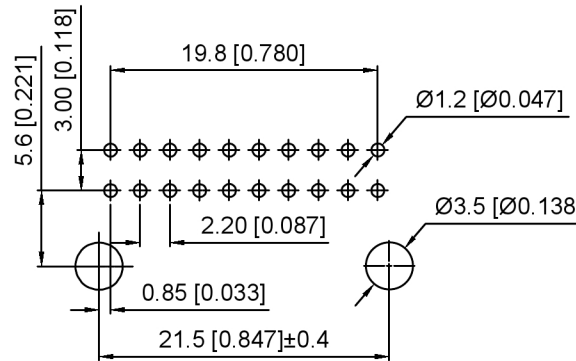
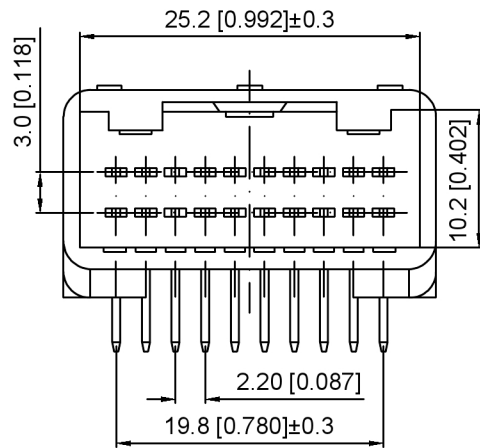
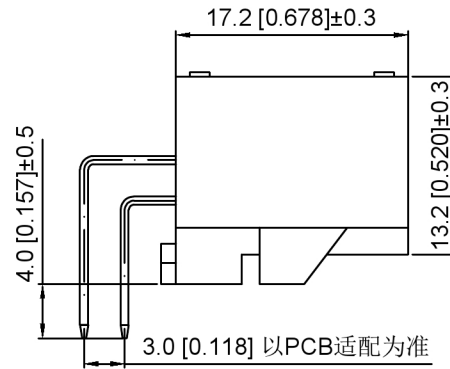
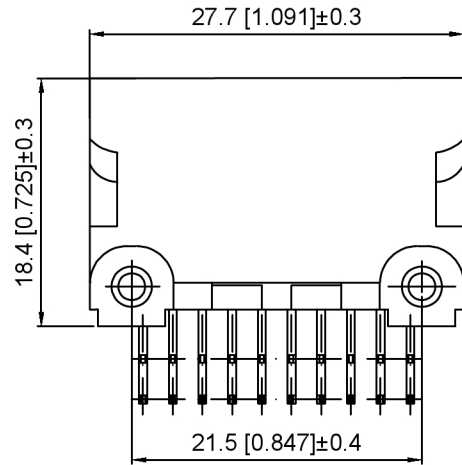
Dimension For PCB

K137635WR-2xXX-PTSX	PBT	Brass	K137635HM
PART NO	Material	Material(Pin)	Suitable XKB Housing

					ANGLAR	±5°	
ΔX					L ≤ 4	±0.2	
ΔX					4 < L ≤ 16	±0.3	
ΔX					16 < L ≤ 63	±0.4	
MARK					L > 63	±0.5	
	DESCRIPTION	DATE	REVISED	APPROVED	UNSPECIFIED TOLERANCES		
	REVISIONS						



DSND		SCALE: N/A	MODEL TYPE: 2.2mm Automobile connector		
DWN		VIEW:	PART NO.: K137635WR-2xXX-PTSX		
CHKD		UNIT: mm/in	DWG NO.: X-K137635WR-2xXX-PTSX		
APPD		SIZE: A4	WEIGHT	SHEET	REVISION
XKB INDUSTRIAL PRECISION CO., LIMITED				1/1	A0



PCB Layout

Current rating: 3A AC/DC
 额定电流: 3A AC/DC
 Temperature range: -40°C-+125°C
 温度范围: -40°C-+125°C

K 137635 W R - 2xXX - PT SN X
 ① ② ③ ④ ⑤ ⑥ ⑦ ⑧

- 1.K: XKBTEK-Car Connector
- 2.XKB Series No
- 3.Category:W-Wafer
- 4.Welding Board Range:R-Straight 90°
- 5.Row No.Pin No:2xXX-2x10 Pin
- 6.Material:PT-PBT+GF15
- 7.Palting:SN-Plated Tin
- 8.Color:B-Black ; W-White

K137635WR-2xXX-PTSX	PBT	Brass	K137635HM
PART NO	Material	Material(Pin)	Suitable XKB Housing

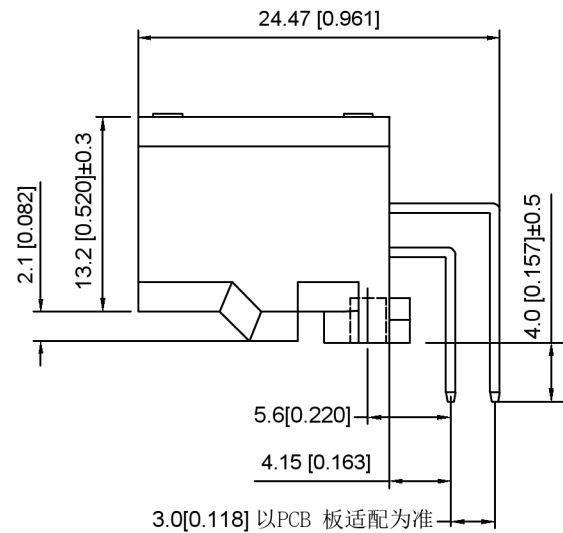
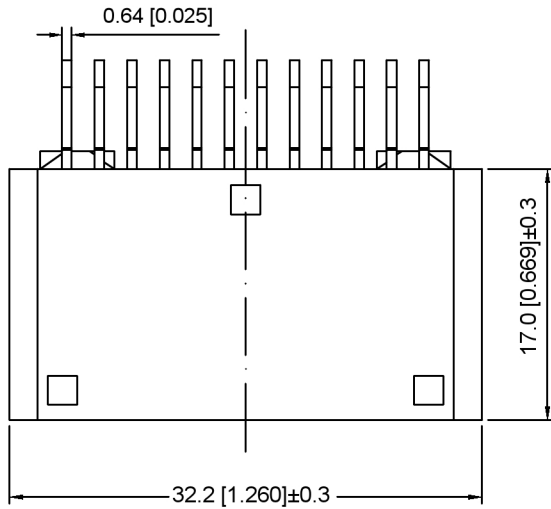
DSND	SCALE: N/A	MODEL TYPE: 2.2mm Automobile connector
DWN	VIEW:	PART NO.: K137635WR-2xXX-PTSX
CHKD	UNIT: mm/in	DWG NO.: X-K137635WR-2xXX-PTSX
APPD	SIZE: A4	



XKB INDUSTRIAL PRECISION CO., LIMITED

WEIGHT	SHEET	REVISION
	1/1	A0

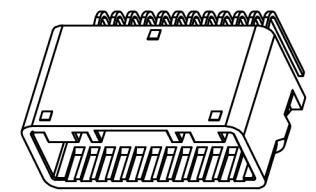
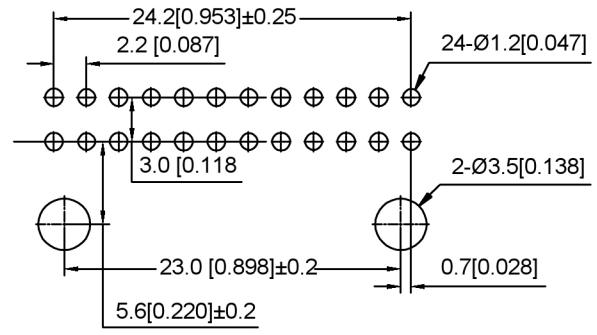
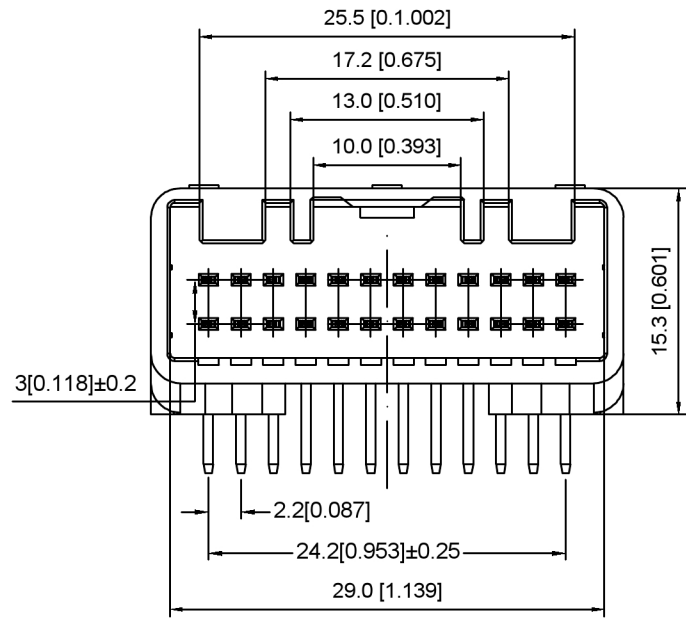
MARK	DESCRIPTION	DATE	REVISED	APPROVED	UNSPECIFIED TOLERANCES
Δx					ANGLAR ±5°
Δx					L ≤ 4 ±0.2
Δx					4 < L ≤ 16 ±0.3
					16 < L ≤ 63 ±0.4
					L > 63 ±0.5
REVISIONS					UNSPECIFIED TOLERANCES
www.helloxkb.com www.helloxkb.cn www.xk-dg.cn					



Current rating:3A AC/DC
 额定电流: 3A AC/DC
 Temperature range:-40°C~+125°C
 温度范围: -40°C~+125°C

K 137635 W R - 2xXX - PT SN X
 ① ② ③ ④ ⑤ ⑥ ⑦ ⑧

- 1.K: XKBTEK-Car Connector
- 2.XKB Series No
- 3.Category:W-Wafer
- 4.Welding Board Rangle:R-Stright 90°
- 5.Row No.Pin No:2xXX-2x12 Pin
- 6.Material:PT-PBT+GF15
- 7.Palting:SN-Plated Tin
- 8.Color:B-Black ; W-White



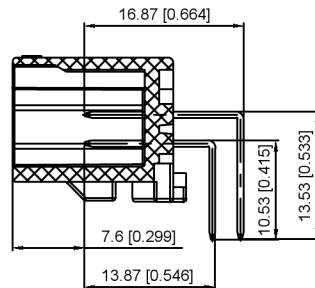
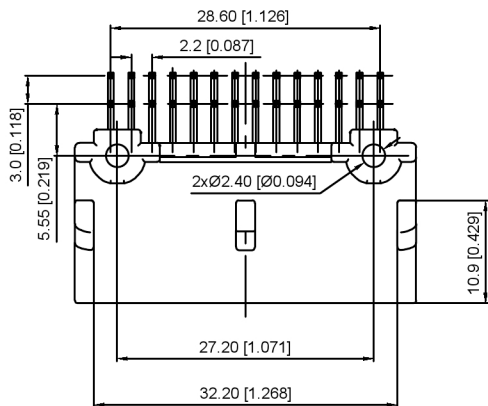
K137635WR-2xXX-PTSX	PBT	Brass	K137635HM
PART NO	Material	Material(Pin)	Suitable XKB Housing

DSND		SCALE: N/A	MODEL TYPE: 2.2mm Automobile connector
DWN		VIEW:	PART NO.: K137635WR-2xXX-PTSX
CHKD		UNIT: mm/in	DWG NO.: X-K137635WR-2xXX-PTSX
APPD		SIZE: A4	WEIGHT SHEET REVISION
			1/1 A0

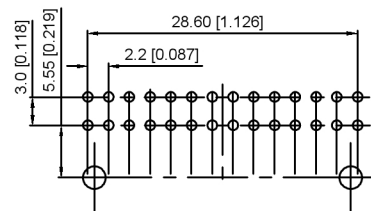
					ANGLAR	±5°
ΔX					L ≤ 4	±0.2
ΔX					4 < L ≤ 16	±0.3
ΔX					16 < L ≤ 63	±0.4
MARK					L > 63	±0.5
REVISIONS					UNSPECIFIED TOLERANCES	



XKB INDUSTRIAL PRECISION CO., LIMITED



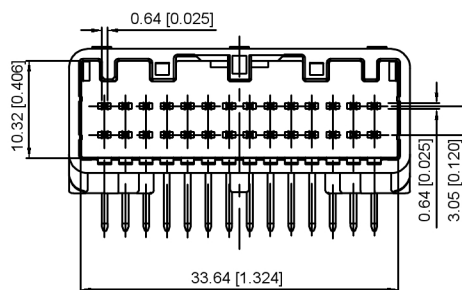
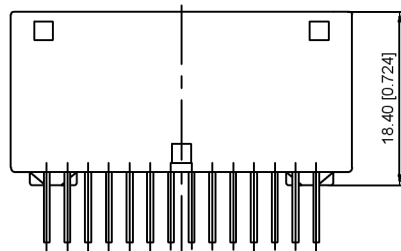
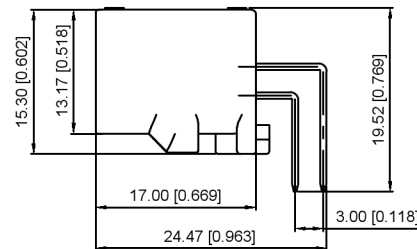
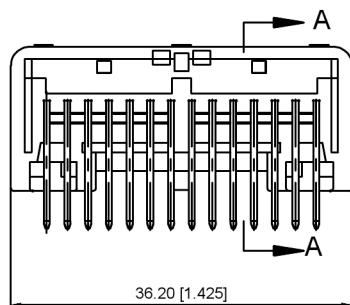
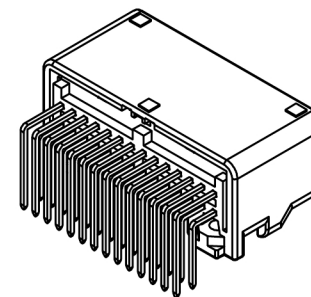
A-A



Current rating: 3A AC/DC
 额定电流: 3A AC/DC
 Temperature range: -40°C~+125°C
 温度范围: -40°C~+125°C

K 137635 W R - 2xXX - PT SN X
 ① ② ③ ④ ⑤ ⑥ ⑦ ⑧

- 1.K: XKBTEK-Car Connector
- 2.XKB Series No
- 3.Category:W-Wafer
- 4.Welding Board Angle:R-Stright 90°
- 5.Row No.Pin No:2xXX-2x14 Pin
- 6.Material:PT-PBT+GF15
- 7.Palting:SN-Plated Tin
- 8.Color:B-Black ; W-White



K137635WR-2xXX-PTSX	PBT	Brass	K137635HM
PART NO	Material	Material(Pin)	Suitable XKB Housing

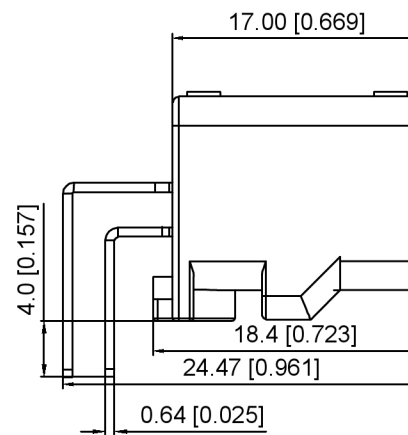
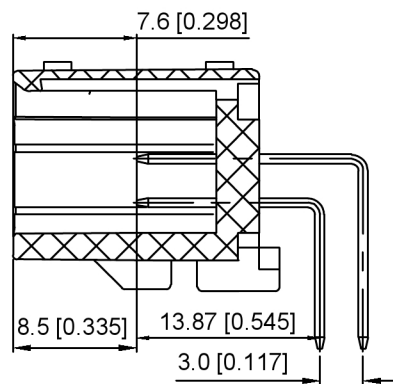
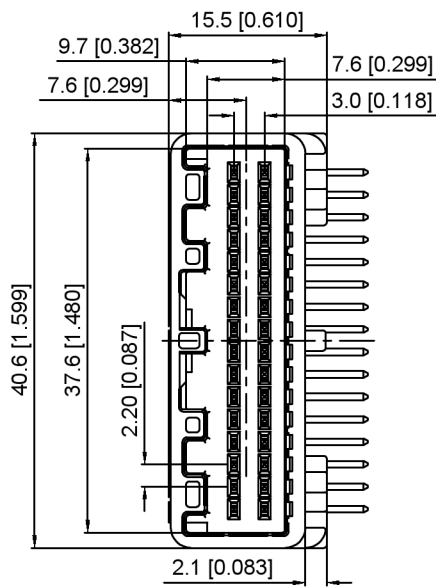
DSND	SCALE: N/A	MODEL TYPE: 2.2mm Automobile connector
DWN	VIEW:	PART NO.: K137635WR-2xXX-PTSX
CHKD	UNIT: mm/in	DWG NO.: X-K137635WR-2xXX-PTSX
APPD	SIZE: A4	

					ANGLAR	±5°
ΔX					L ≤ 4	±0.2
ΔX					4 < L ≤ 16	±0.3
ΔX					16 < L ≤ 63	±0.4
MARK	DESCRIPTION	DATE	REVISED	APPROVED	L > 63	±0.5

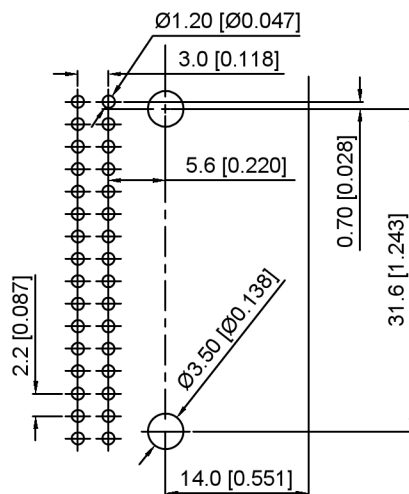
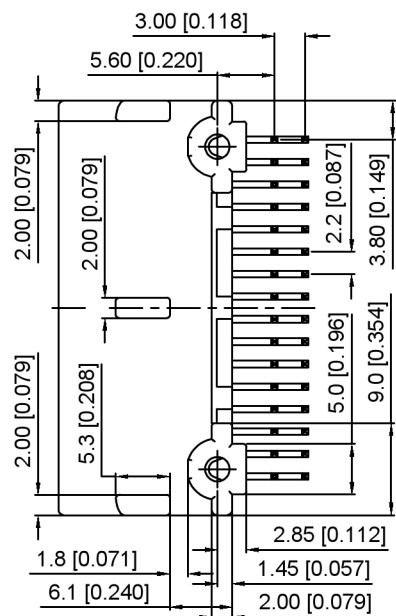


XKB INDUSTRIAL PRECISION CO., LIMITED

UNSPECIFIED TOLERANCES	WEIGHT	SHEET	REVISION
		1/1	A0



Current rating:3A AC/DC
 额定电流: 3A AC/DC
 Temperature range:-40°C-+125°C
 温度范围: -40°C-+125°C



Dimension For PCB

K 137635 W R - 2xXX - PT SN X
 ① ② ③ ④ ⑤ ⑥ ⑦ ⑧

- 1.K: XKBTEK-Car Connector
- 2.XKB Series No
- 3.Category:W-Wafer
- 4.Welding Board Angle:R-Straight 90°
- 5.Row No.Pin No:2xXX-2x16 Pin
- 6.Material:PT-PBT+GF15
- 7.Palting:SN-Plated Tin
- 8.Color:B-Black ; W-White

K137635WR-2xXX-PTSX	PBT	Brass	K137635HM
PART NO	Material	Material(Pin)	Suitable XKB Housing

DSND	SCALE: N/A	MODEL TYPE: 2.2mm Automobile connector
DWN	VIEW:	PART NO.: K137635WR-2xXX-PTSX
CHKD	UNIT: mm/in	DWG NO.: X-K137635WR-2xXX-PTSX
APPD	SIZE: A4	
	WEIGHT	SHEET
		1/1
	REVISION	A0



XKB INDUSTRIAL PRECISION CO.,LIMITED

ANGULAR ±5°

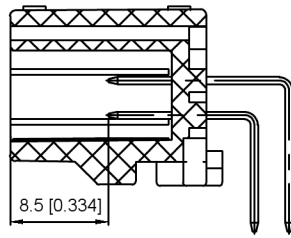
L ≤ 4 ±0.2

4 < L ≤ 16 ±0.3

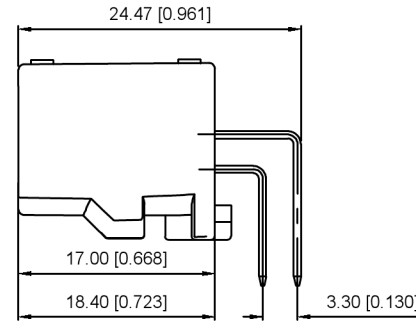
16 < L ≤ 63 ±0.4

L > 63 ±0.5

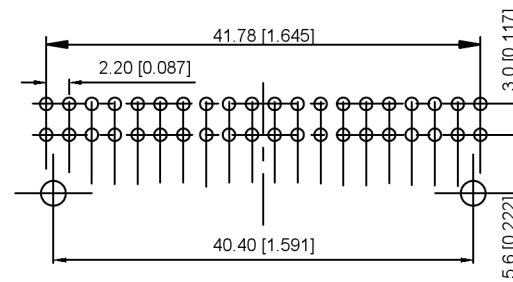
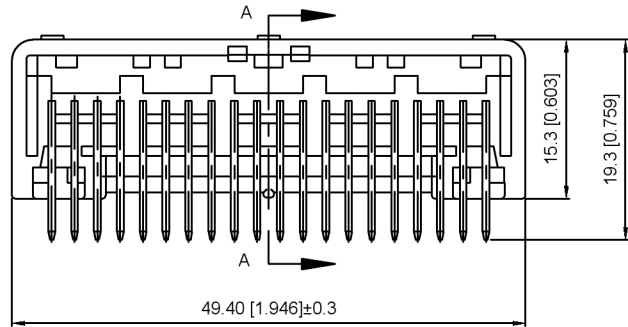
UNSPECIFIED TOLERANCES



A-A

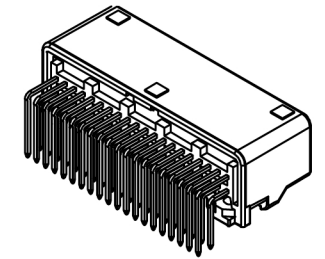
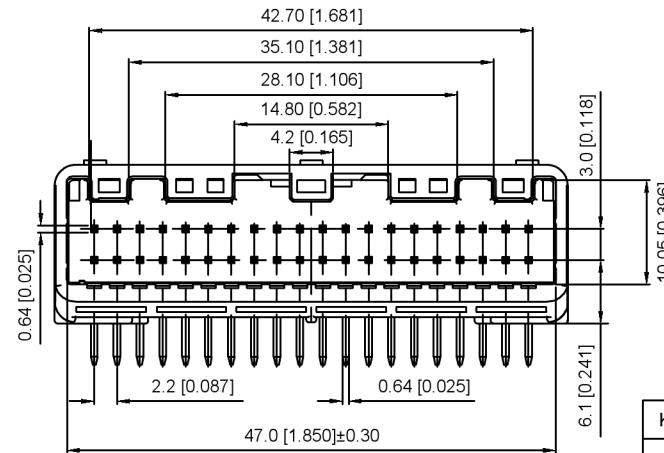
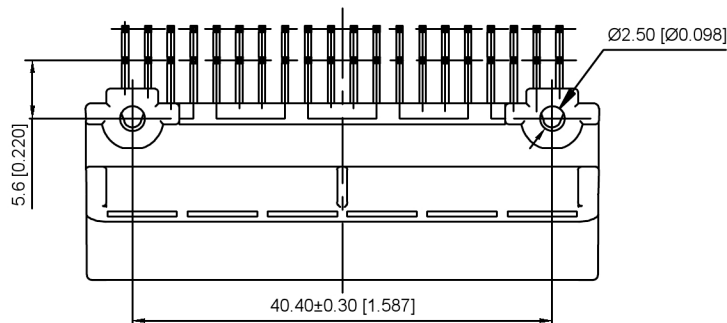


Current rating:3A AC/DC
 额定电流: 3A AC/DC
 Temperature range:-40°C-+125°C
 温度范围: -40°C-+125°C



K 137635 W R - 2xXX - PT SN X
 ① ② ③ ④ ⑤ ⑥ ⑦ ⑧

- 1.K: XKBTEK-Car Connector
- 2.XKB Series No
- 3.Category:W-Wafer
- 4.Welding Board Rangle:R-Stright 90°
- 5.Row No.Pin No:2xXX-2x20 Pin
- 6.Material:PT-PBT+GF15
- 7.Palting:SN-Plated Tin
- 8.Color:B-Black ; W-White



K137635WR-2xXX-PTSX	PBT	Brass	K137635HM
PART NO	Material	Material(Pin)	Suitable XKB Housing

DSND	SCALE: N/A	MODEL TYPE: 2.2mm Automobile connector
DWN	VIEW:	PART NO.: K137635WR-2xXX-PTSX
CHKD	UNIT: mm/in	DWG NO.: X-K137635WR-2xXX-PTSX
APPD	SIZE: A4	WEIGHT SHEET REVISION
		1/1 A0



XKB INDUSTRIAL PRECISION CO., LIMITED

ANGLAR	±5°
L ≤ 4	±0.2
4 < L ≤ 16	±0.3
16 < L ≤ 63	±0.4
L > 63	±0.5
UNSPECIFIED TOLERANCES	

MARK	DESCRIPTION	DATE	REVISED	APPROVED
ΔX				
ΔX				
ΔX				

X-ON Electronics

Largest Supplier of Electrical and Electronic Components

Click to view similar products for [Headers & Wire Housings](#) category:

Click to view products by [XKB](#) manufacturer:

Other Similar products are found below :

[0015917161](#) [0022155065](#) [57102-F02-18ULF](#) [58102-G61-06LF](#) [582553-1](#) [01.001.5753.1](#) [0050291907](#) [02.125.8002.8](#) [609-3404](#) [61062-3](#)
[CSU011177004](#) [622-0430](#) [622-3653LF](#) [63453-116](#) [636-1030](#) [636-1427](#) [636-3427](#) [636-4007](#) [641938-9](#) [65495-038](#) [65692-001LF](#) [65781-018](#)
[65781-047](#) [65817-010LF](#) [65817-015LF](#) [67095-007LF](#) [67601157](#) [68631-112](#) [68645-018](#) [699319-000](#) [70.362.1628.0](#) [70-4210](#) [70-4226B](#) [70-](#)
[4853B](#) [71.350.2428.0](#) [733-134](#) [733-162](#) [760-3052](#) [MHR-64-VUAL](#) [80.063.4001.1](#) [800-90-001-10-001000](#) [801-43-002-10-013000](#)
[801-43-006-10-002000](#) [803-43-024-10-001000](#) [803-93-012-10-001000](#) [8-1437020-4](#) [819-22-004-30-001101](#) [820-22-006-30-001101](#)
[820-22-008-30-001101](#) [821-22-002-10-001101](#)