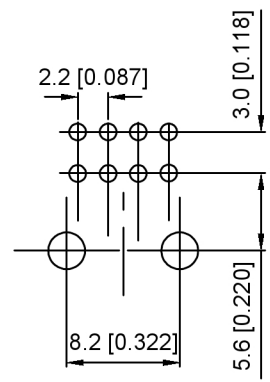
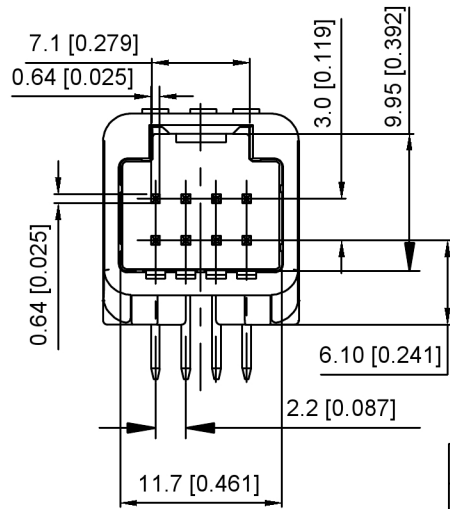
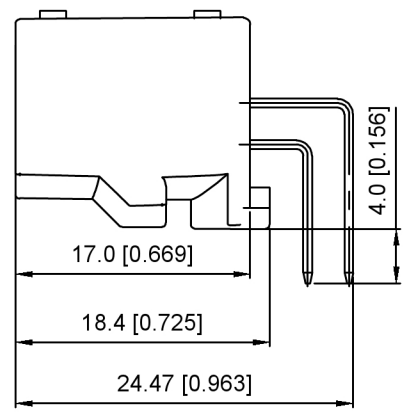
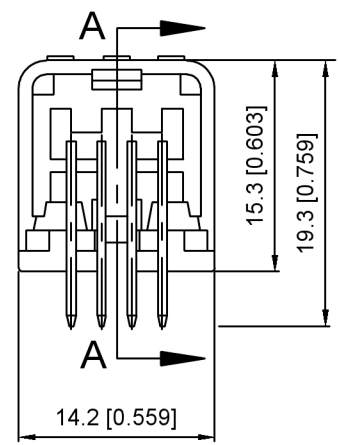


A-A



Current rating: 3A AC/DC
 额定电流: 3A AC/DC
 Temperature range: -40°C-+125°C
 温度范围: -40°C-+125°C



K 137635 W R - 2xXX - PT SN X
 ① ② ③ ④ ⑤ ⑥ ⑦ ⑧

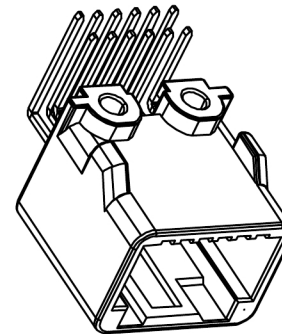
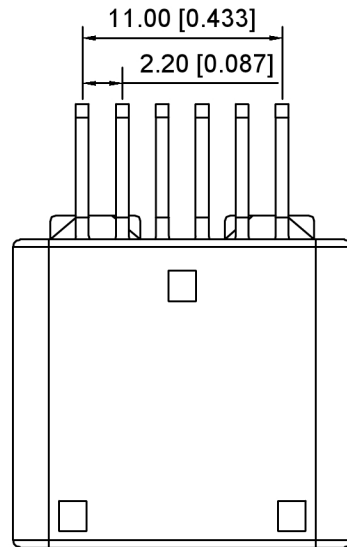
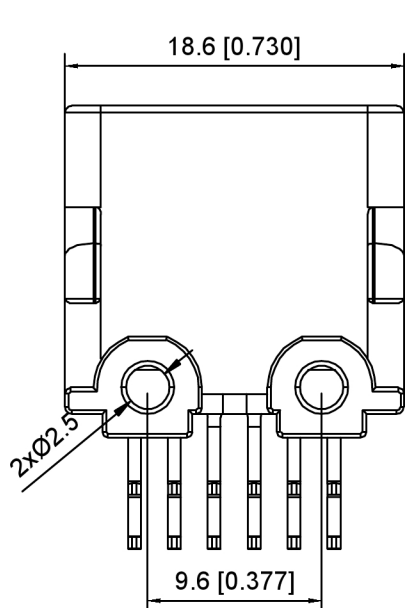
- 1.K: XKBTEK-Car Connector
- 2.XKB Series No
- 3.Category:W-Wafer
- 4.Welding Board Range:R-Stright 90°
- 5.Row No.Pin No:2xXX-2x04 Pin
- 6.Material:PT-PBT+GF15
- 7.Palting:SN-Plated Tin
- 8.Color:B-Black ; W-White

K137635WR-2xXX-PTSX	PBT	Brass	K137635HM
PART NO	Material	Material(Pin)	Suitable XKB Housing

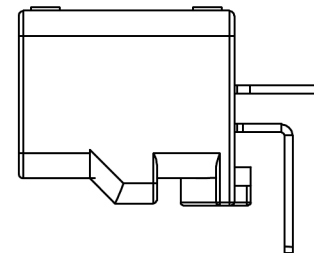
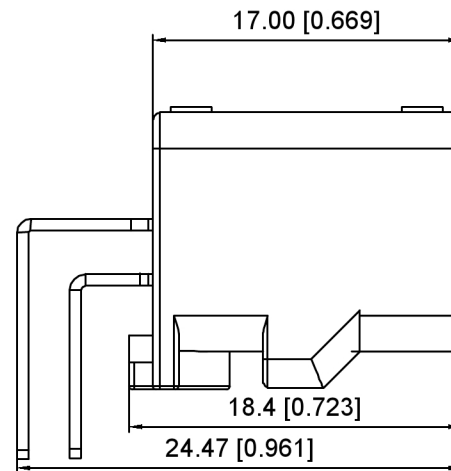
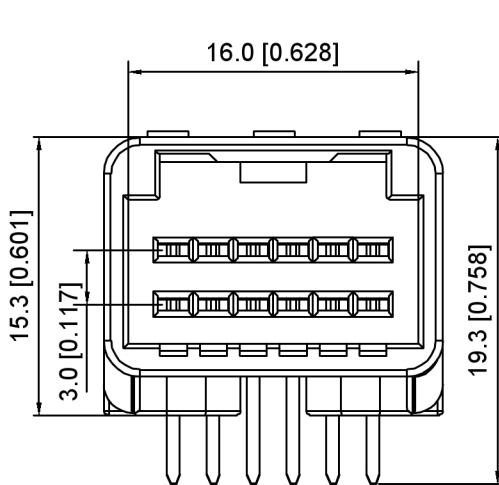
DSND	SCALE: N/A	MODEL TYPE: 2.2mm Automobile connector
DWN	VIEW:	PART NO.: K137635WR-2xXX-PTSX
CHKD	UNIT: mm/in	DWG NO.: X-K137635WR-2xXX-PTSX
APPD	SIZE: A4	WEIGHT SHEET REVISION

					ANGLAR	±5°
ΔX					L ≤ 4	±0.2
ΔX					4 < L ≤ 16	±0.3
ΔX					16 < L ≤ 63	±0.4
MARK	DESCRIPTION	DATE	REVISED	APPROVED	L > 63	±0.5
REVISIONS					UNSPECIFIED TOLERANCES	
www.helloxkb.com www.helloxkb.cn www.xk-dg.cn					XKB INDUSTRIAL PRECISION CO., LIMITED	





Current rating:3A AC/DC
 额定电流: 3A AC/DC
 Temperature range:-40°C~+125°C
 温度范围: -40°C~+125°C



K 137635 W R - 2xXX - PT SN X
 ① ② ③ ④ ⑤ ⑥ ⑦ ⑧

- 1.K: XKBTEK-Car Connector
- 2.XKB Series No
- 3.Category:W-Wafer
- 4.Welding Board Range:R-Straight 90°
- 5.Row No.Pin No:2xXX-2x06 Pin
- 6.Material:PT-PBT+GF15
- 7.Palting:SN-Plated Tin
- 8.Color:B-Black ; W-White

K137635WR-2xXX-PTSX	PBT	Brass	K137635HM
PART NO	Material	Material(Pin)	Suitable XKB Housing

DSND	SCALE: N/A	MODEL TYPE: 2.2mm Automobile connector
DWN	VIEW:	PART NO.: K137635WR-2xXX-PTSX
CHKD	UNIT: mm/in	DWG NO.: X-K137635WR-2xXX-PTSX
APPD	SIZE: A4	WEIGHT SHEET REVISION

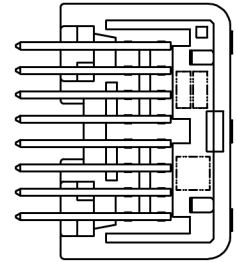
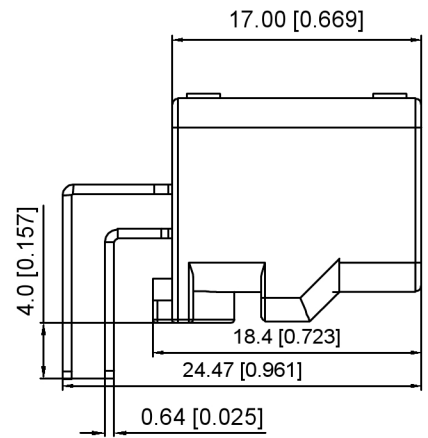
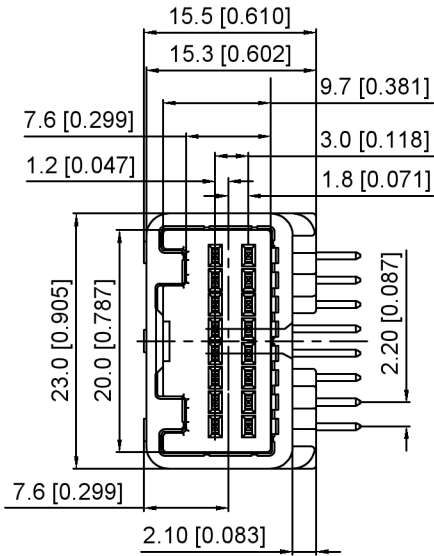


XKB INDUSTRIAL PRECISION CO.,LIMITED

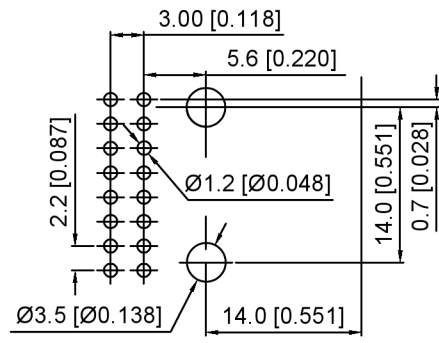
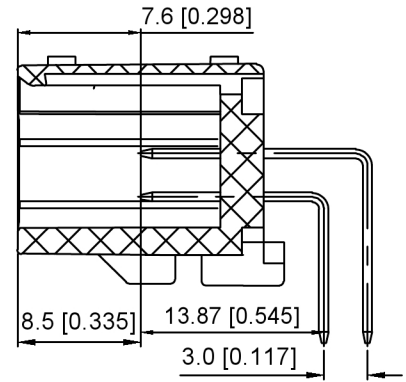
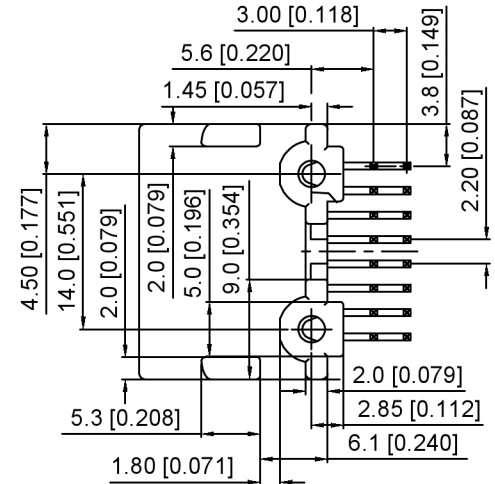
WEIGHT	SHEET	REVISION
	1/1	A0

MARK	DESCRIPTION	DATE	REVISED	APPROVED	ANGLAR	
					±5°	
ΔX					L ≤ 4	±0.2
ΔX					4 < L ≤ 16	±0.3
ΔX					16 < L ≤ 63	±0.4
					L > 63	±0.5

UNSPECIFIED TOLERANCES



Current rating:3A AC/DC
 额定电流: 3A AC/DC
 Temperature range:-40°C~+125°C
 温度范围: -40°C~+125°C



K 137635 W R - 2xXX - PT SN X
 ① ② ③ ④ ⑤ ⑥ ⑦ ⑧

- 1.K: XKBTEK-Car Connector
- 2.XKB Series No
- 3.Category:W-Wafer
- 4.Welding Board Angle:R-Straight 90°
- 5.Row No.Pin No:2xXX-2x08 Pin
- 6.Material:PT-PBT+GF15
- 7.Palting:SN-Plated Tin
- 8.Color:B-Black ; W-White

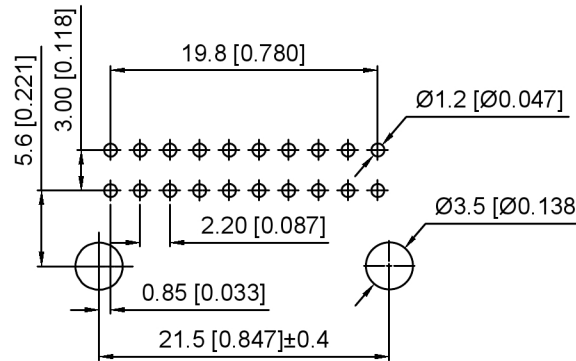
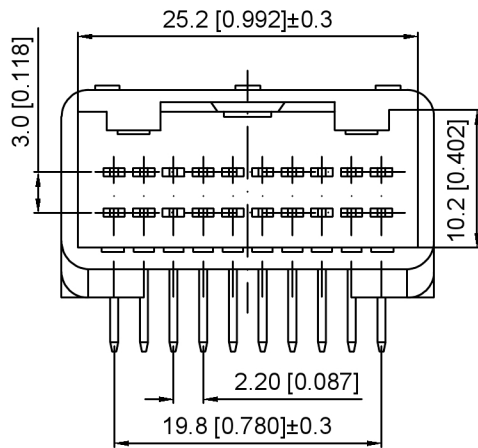
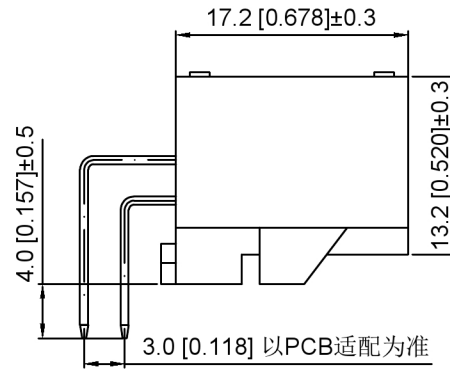
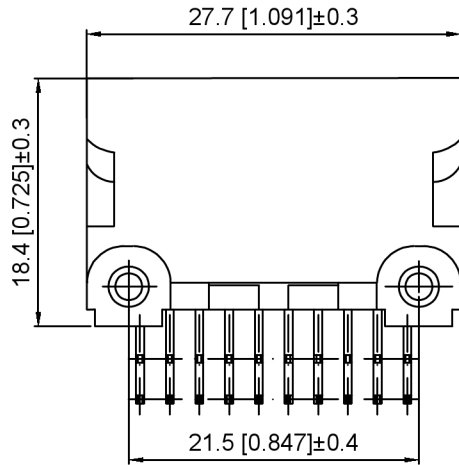
Dimension For PCB

K137635WR-2xXX-PTSX	PBT	Brass	K137635HM
PART NO	Material	Material(Pin)	Suitable XKB Housing

					ANGLAR	±5°
ΔX					L ≤ 4	±0.2
ΔX					4 < L ≤ 16	±0.3
ΔX					16 < L ≤ 63	±0.4
MARK	DESCRIPTION	DATE	REVISED	APPROVED	L > 63	±0.5
REVISIONS					UNSPECIFIED TOLERANCES	



DSND		SCALE: N/A	MODEL TYPE: 2.2mm Automobile connector		
DWN		VIEW:	PART NO.: K137635WR-2xXX-PTSX		
CHKD		UNIT: mm/in	DWG NO.: X-K137635WR-2xXX-PTSX		
APPD		SIZE: A4	WEIGHT	SHEET	REVISION
XKB INDUSTRIAL PRECISION CO., LIMITED				1/1	A0



PCB Layout

Current rating: 3A AC/DC
 额定电流: 3A AC/DC
 Temperature range: -40°C-+125°C
 温度范围: -40°C-+125°C

K 137635 W R - 2xXX - PT SN X
 ① ② ③ ④ ⑤ ⑥ ⑦ ⑧

- 1.K: XKBTEK-Car Connector
- 2.XKB Series No
- 3.Category:W-Wafer
- 4.Welding Board Range:R-Straight 90°
- 5.Row No.Pin No:2xXX-2x10 Pin
- 6.Material:PT-PBT+GF15
- 7.Palting:SN-Plated Tin
- 8.Color:B-Black ; W-White

K137635WR-2xXX-PTSX	PBT	Brass	K137635HM
PART NO	Material	Material(Pin)	Suitable XKB Housing

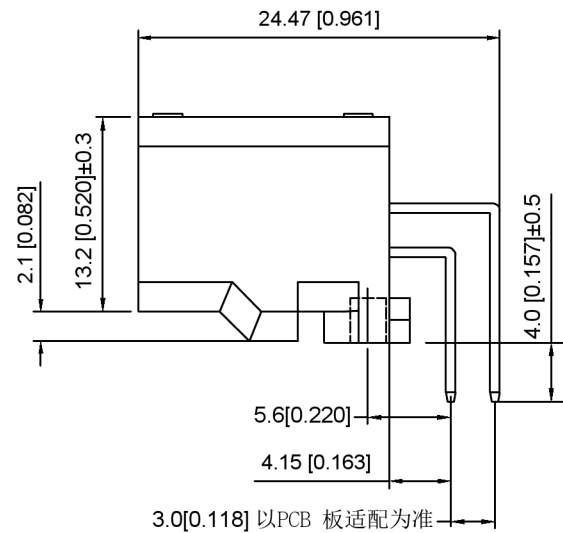
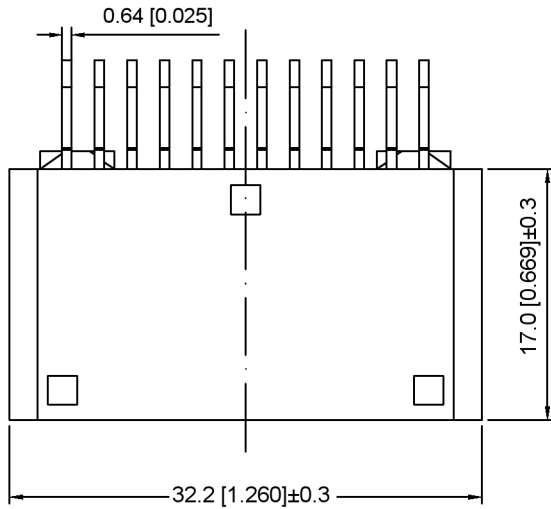
DSND		SCALE: N/A	MODEL TYPE: 2.2mm Automobile connector
DWN		VIEW:	PART NO.:
CHKD		UNIT: mm/in	K137635WR-2xXX-PTSX
APPD		SIZE: A4	DWG NO.:
			X-K137635WR-2xXX-PTSX



XKB INDUSTRIAL PRECISION CO., LIMITED

WEIGHT	SHEET	REVISION
	1/1	A0

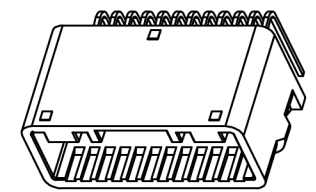
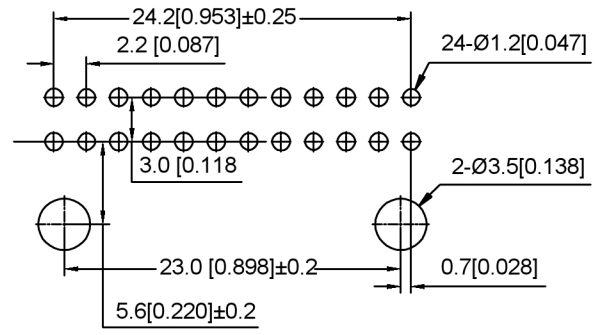
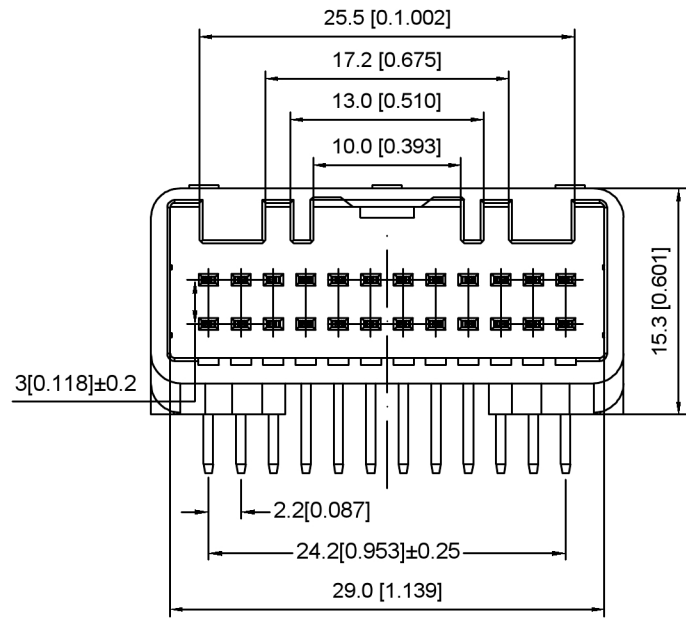
MARK	DESCRIPTION	DATE	REVISED	APPROVED	UNSPECIFIED TOLERANCES
Δx					ANGLAR ±5°
Δx					L ≤ 4 ±0.2
Δx					4 < L ≤ 16 ±0.3
					16 < L ≤ 63 ±0.4
					L > 63 ±0.5



Current rating:3A AC/DC
 额定电流: 3A AC/DC
 Temperature range:-40°C~+125°C
 温度范围: -40°C~+125°C

K 137635 W R - 2xXX - PT SN X
 ① ② ③ ④ ⑤ ⑥ ⑦ ⑧

- 1.K: XKBTEK-Car Connector
- 2.XKB Series No
- 3.Category:W-Wafer
- 4.Welding Board Rangle:R-Stright 90°
- 5.Row No.Pin No:2xXX-2x12 Pin
- 6.Material:PT-PBT+GF15
- 7.Palting:SN-Plated Tin
- 8.Color:B-Black ; W-White



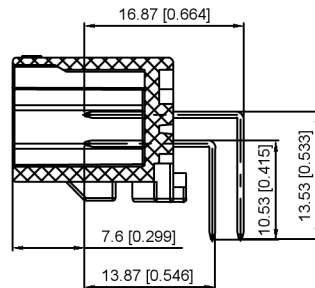
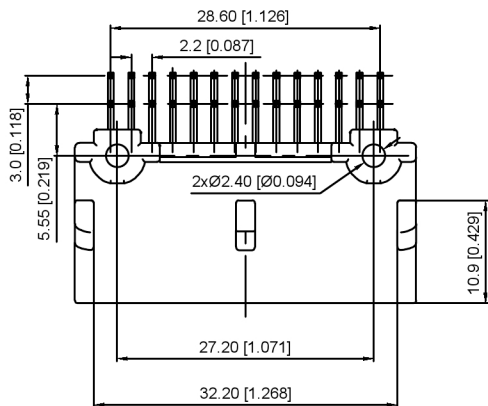
K137635WR-2xXX-PTSX	PBT	Brass	K137635HM
PART NO	Material	Material(Pin)	Suitable XKB Housing

DSND	SCALE: N/A	MODEL TYPE: 2.2mm Automobile connector
DWN	VIEW:	PART NO.: K137635WR-2xXX-PTSX
CHKD	UNIT: mm/in	DWG NO.: X-K137635WR-2xXX-PTSX
APPD	SIZE: A4	WEIGHT SHEET REVISION
		1/1 A0

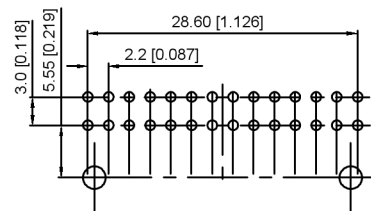
					ANGLAR	±5°
ΔX					L ≤ 4	±0.2
ΔX					4 < L ≤ 16	±0.3
ΔX					16 < L ≤ 63	±0.4
MARK	DESCRIPTION	DATE	REVISED	APPROVED	L > 63	±0.5
REVISIONS					UNSPECIFIED TOLERANCES	



XKB INDUSTRIAL PRECISION CO., LIMITED



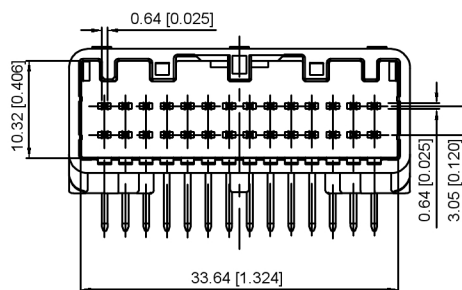
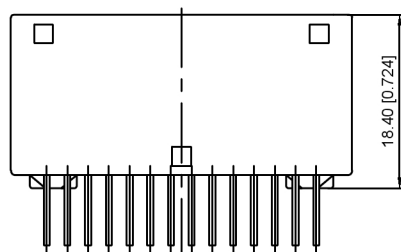
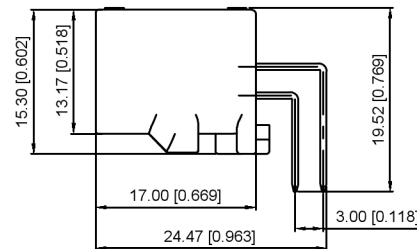
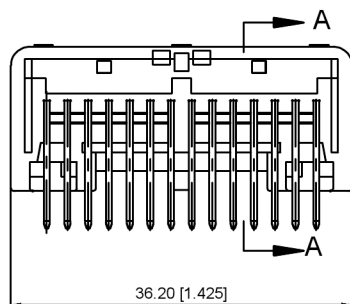
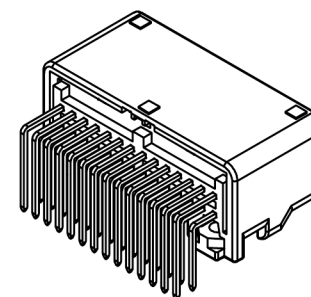
A-A



Current rating: 3A AC/DC
 额定电流: 3A AC/DC
 Temperature range: -40°C~+125°C
 温度范围: -40°C~+125°C

K 137635 W R - 2xXX - PT SN X
 ① ② ③ ④ ⑤ ⑥ ⑦ ⑧

- 1.K: XKBTEK-Car Connector
- 2.XKB Series No
- 3.Category:W-Wafer
- 4.Welding Board Angle:R-Stright 90°
- 5.Row No.Pin No:2xXX-2x14 Pin
- 6.Material:PT-PBT+GF15
- 7.Palting:SN-Plated Tin
- 8.Color:B-Black ; W-White



K137635WR-2xXX-PTSX	PBT	Brass	K137635HM
PART NO	Material	Material(Pin)	Suitable XKB Housing

DSND	SCALE: N/A	MODEL TYPE: 2.2mm Automobile connector
DWN	VIEW:	PART NO.: K137635WR-2xXX-PTSX
CHKD	UNIT: mm/in	DWG NO.: X-K137635WR-2xXX-PTSX
APPD	SIZE: A4	

					ANGLAR	±5°
ΔX					L ≤ 4	±0.2
ΔX					4 < L ≤ 16	±0.3
ΔX					16 < L ≤ 63	±0.4
MARK					L > 63	±0.5



XKB INDUSTRIAL PRECISION CO., LIMITED

WEIGHT	SHEET	REVISION
	1/1	A0

REVISIONS

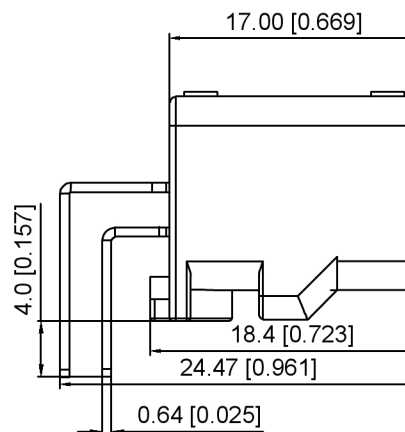
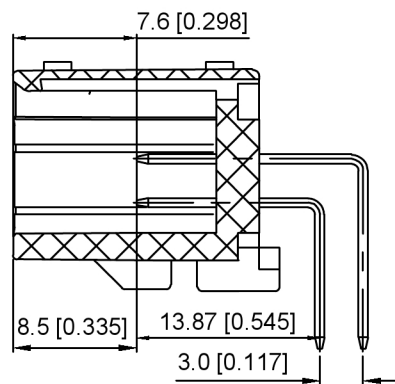
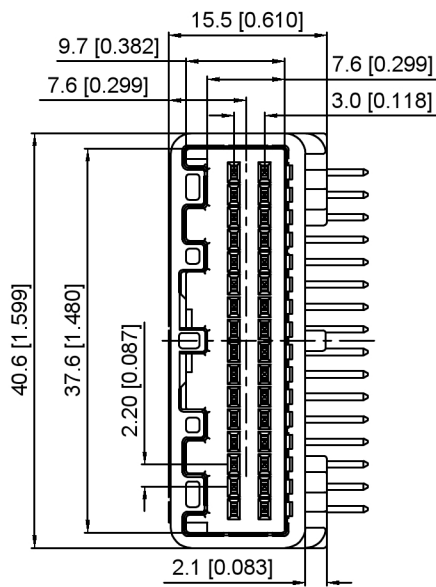
UNSPECIFIED TOLERANCES

DESCRIPTION

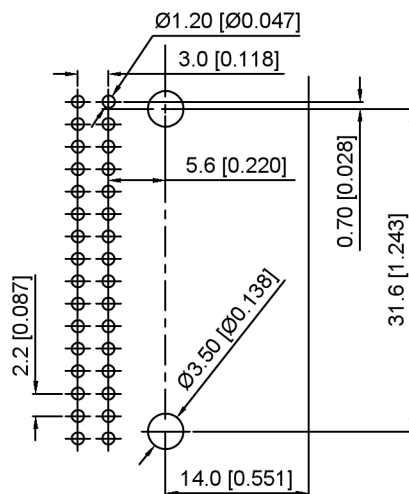
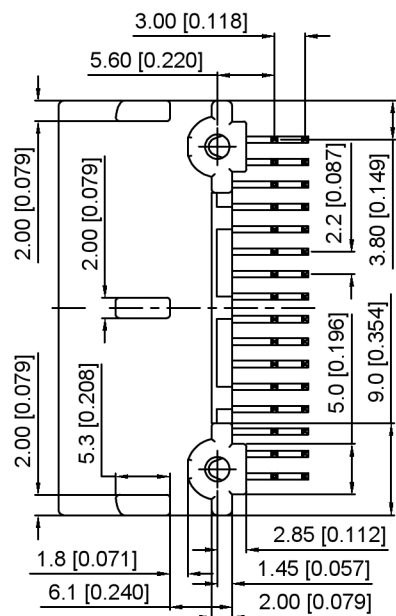
DATE

REVISED

APPROVED



Current rating: 3A AC/DC
 额定电流: 3A AC/DC
 Temperature range: -40°C~+125°C
 温度范围: -40°C~+125°C



Dimension For PCB

K 137635 W R - 2xXX - PT SN X
 ① ② ③ ④ ⑤ ⑥ ⑦ ⑧

- 1.K: XKBTEK-Car Connector
- 2.XKB Series No
- 3.Category:W-Wafer
- 4.Welding Board Angle:R-Stright 90°
- 5.Row No.Pin No:2xXX-2x16 Pin
- 6.Material:PT-PBT+GF15
- 7.Palting:SN-Plated Tin
- 8.Color:B-Black ; W-White

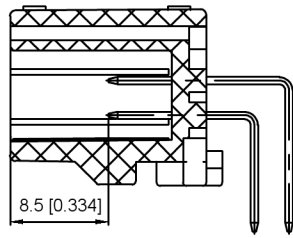
K137635WR-2xXX-PTSX	PBT	Brass	K137635HM
PART NO	Material	Material(Pin)	Suitable XKB Housing

DSND	SCALE: N/A	MODEL TYPE: 2.2mm Automobile connector
DWN	VIEW:	PART NO.: K137635WR-2xXX-PTSX
CHKD	UNIT: mm/in	DWG NO.: X-K137635WR-2xXX-PTSX
APPD	SIZE: A4	WEIGHT SHEET REVISION 1/1 A0

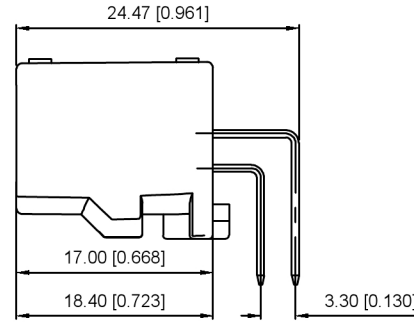


XKB INDUSTRIAL PRECISION CO., LIMITED

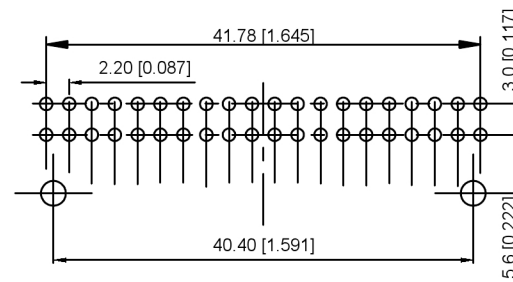
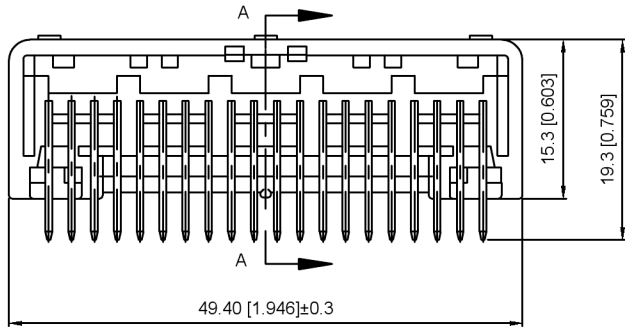
ANGLAR	±5°
L ≤ 4	±0.2
4 < L ≤ 16	±0.3
16 < L ≤ 63	±0.4
L > 63	±0.5
UNSPECIFIED TOLERANCES	



A-A

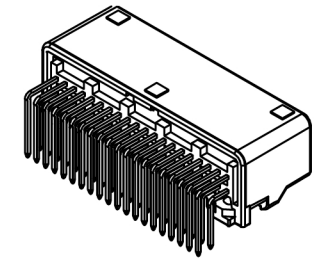
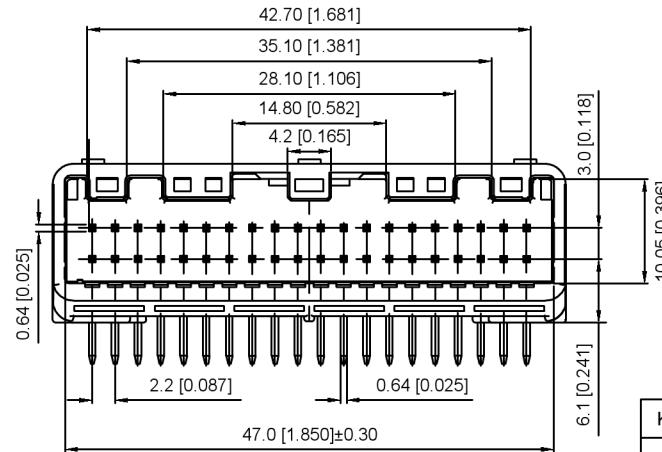
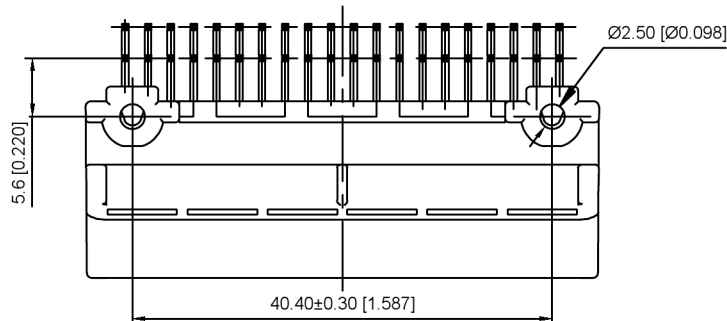


Current rating:3A AC/DC
 额定电流: 3A AC/DC
 Temperature range:-40°C-+125°C
 温度范围: -40°C-+125°C



K 137635 W R - 2xXX - PT SN X
 ① ② ③ ④ ⑤ ⑥ ⑦ ⑧

- 1.K: XKBTEK-Car Connector
- 2.XKB Series No
- 3.Category:W-Wafer
- 4.Welding Board Range:R-Stright 90°
- 5.Row No.Pin No:2xXX-2x20 Pin
- 6.Material:PT-PBT+GF15
- 7.Palting:SN-Plated Tin
- 8.Color:B-Black ; W-White



K137635WR-2xXX-PTSX	PBT	Brass	K137635HM
PART NO	Material	Material(Pin)	Suitable XKB Housing

DSND	SCALE: N/A	MODEL TYPE: 2.2mm Automobile connector
DWN	VIEW:	PART NO.: K137635WR-2xXX-PTSX
CHKD	UNIT: mm/in	DWG NO.: X-K137635WR-2xXX-PTSX
APPD	SIZE: A4	WEIGHT SHEET REVISION 1/1 A0



XKB INDUSTRIAL PRECISION CO., LIMITED

ANGULAR	±5°
L ≤ 4	±0.2
4 < L ≤ 16	±0.3
16 < L ≤ 63	±0.4
L > 63	±0.5
UNSPECIFIED TOLERANCES	

MARK	DESCRIPTION	DATE	REVISED	APPROVED
ΔX				
ΔX				
ΔX				

X-ON Electronics

Largest Supplier of Electrical and Electronic Components

Click to view similar products for [Automotive Connectors](#) category:

Click to view products by [XKB](#) manufacturer:

Other Similar products are found below :

[003-018-000](#) [60993906-B](#) [72.330.1035.1](#) [776880-1](#) [827153-1](#) [9-1326729-8](#) [9-221607-5](#) [925474-1](#) [928905-1](#) [964562-4](#) [968782-1](#) [12004468](#)
[12004475-L](#) [12004483](#) [12052466](#) [12066163](#) [12015909](#) [12077753](#) [1-21030-1](#) [12047957](#) [12047958](#) [12084688](#) [12185550](#) [12336-12](#) [1-](#)
[326211-1](#) [13681974](#) [13688972](#) [13755420](#) [13779834](#) [13783086](#) [13843152](#) [13522378](#) [13581967](#) [13669624](#) [13675513](#) [13753471](#) [13946876](#)
[13953457](#) [13955963](#) [13964573](#) [13971791](#) [13790534-L](#) [13797473](#) [13805590](#) [13888202](#) [13969981](#) [1428188-1](#) [1437287-3](#) [1428188-2](#) [DS07-](#)
[19S-5020](#)