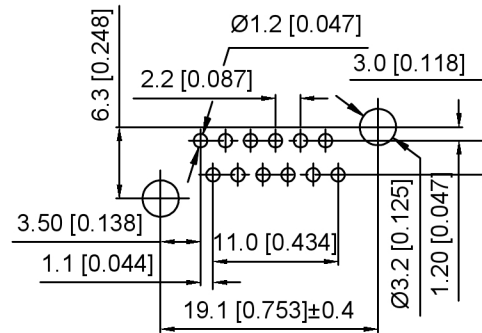
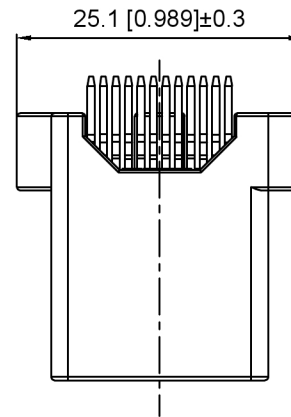
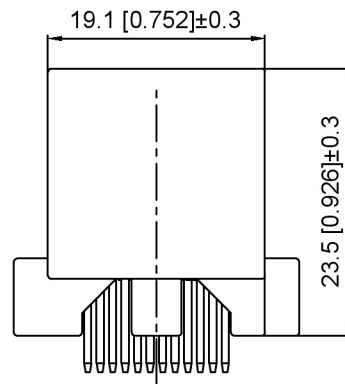
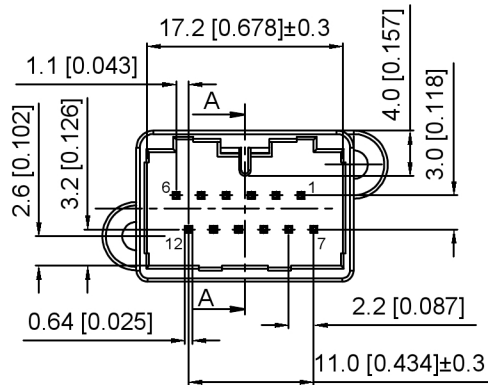
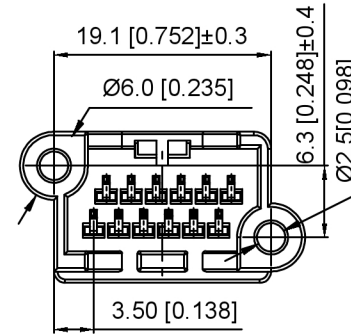


SEC:A-A



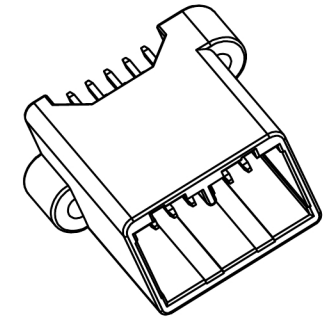
PCB Layout



Current rating: 3A AC/DC
 额定电流: 3A AC/DC
 Temperature range: -40°C~+125°C
 温度范围: -40°C~+125°C

K 137635 W V - 2xXX B - PT SN
 ① ② ③ ④ ⑤ ⑥ ⑦ ⑧

- 1.K: XKBTEK-Car Connector
- 2.XKB Series No
- 3.Category:W-Wafer
- 4.Welding Board Rangle:V-Stright 180°
- 5.Row No.Pin No:2xXX-2x06 Pin
- 6.Special No:B-Misaligned foot
- 7.Material:PT-PBT
- 8.Palting:SN-Plated Tin



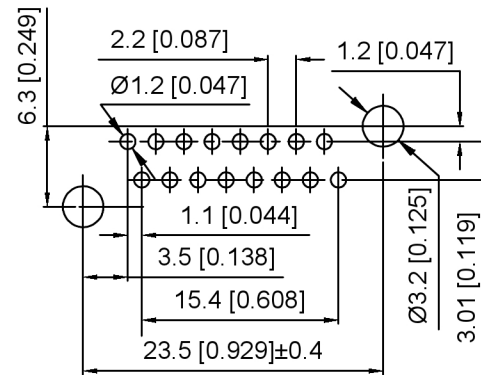
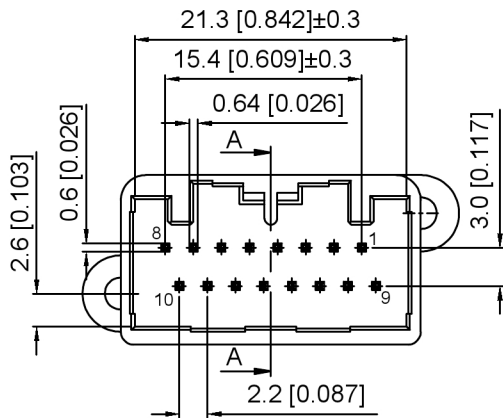
K137635WW-2xXXB-PTS	PBT	Gray	Brass	K137635H-B
PART NO	Material	Color	Material(Pin)	Suitable XKB Housing

DSND	SCALE: N/A	MODEL TYPE: 2.2mm Automobile connector
DWN	VIEW:	PART NO.: K137635WW-2xXXB-PTS
CHKD	UNIT: mm/in	DWG NO.: X-K137635WW-2xXXB-PTS
APPD	SIZE: A4	WEIGHT SHEET REVISION



XKB INDUSTRIAL PRECISION CO., LIMITED

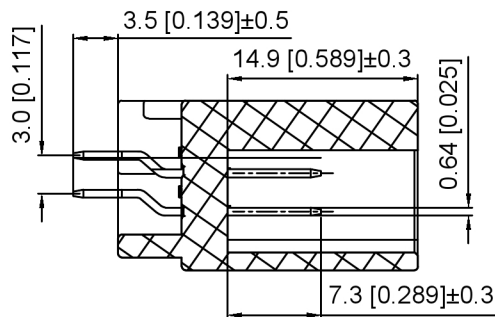
ANGLAR	±5°
L ≤ 4	±0.2
4 < L ≤ 16	±0.3
16 < L ≤ 63	±0.4
L > 63	±0.5
UNSPECIFIED TOLERANCES	



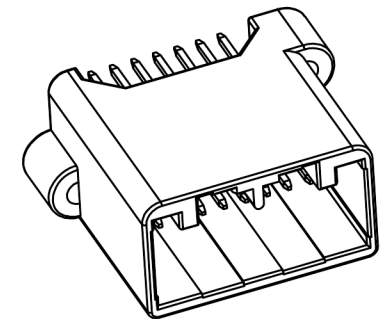
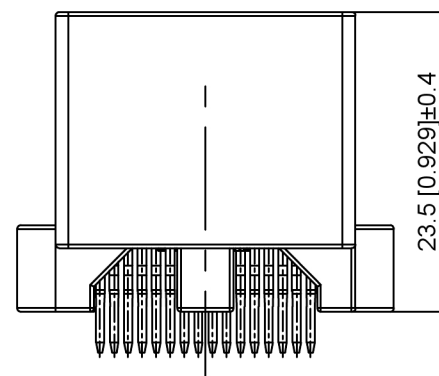
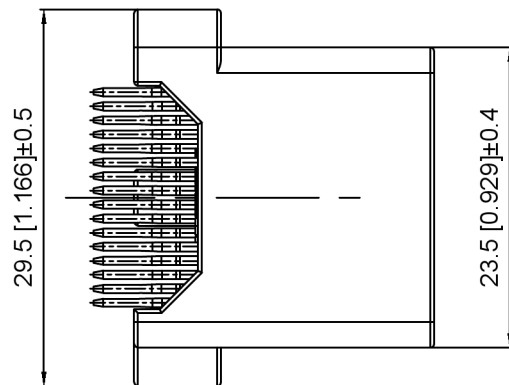
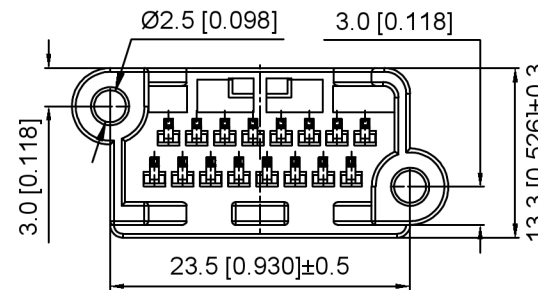
Current rating:3A AC/DC
 额定电流: 3A AC/DC
 Temperature range:-40°C~+125°C
 温度范围: -40°C~+125°C

K 137635 W V - 2xXX B - PT SN
 ① ② ③ ④ ⑤ ⑥ ⑦ ⑧

- 1.K: XKBTEK-Car Connector
- 2.XKB Series No
- 3.Category:W-Wafer
- 4.Welding Board Rangle:V-Stright 180°
- 5.Row No.Pin No:2xXX-2x08 Pin
- 6.Special No:B-Misaligned foot
- 7.Material:PT-PBT
- 8.Palting:SN-Plated Tin



SEC:A-A



K137635WV-2xXXB-PTS	PBT	Gray	Brass	K137635H-B
PART NO	Material	Color	Material(Pin)	Suitable XKB Housing

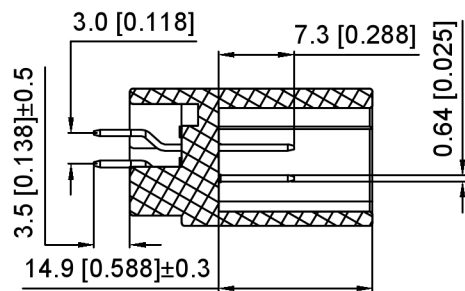
DSND	SCALE: N/A	MODEL TYPE: 2.2mm Automobile connector
DWN	VIEW:	PART NO.: K137635WV-2xXXB-PTS
CHKD	UNIT: mm/in	DWG NO.: X-K137635WV-2xXXB-PTS
APPD	SIZE: A4	



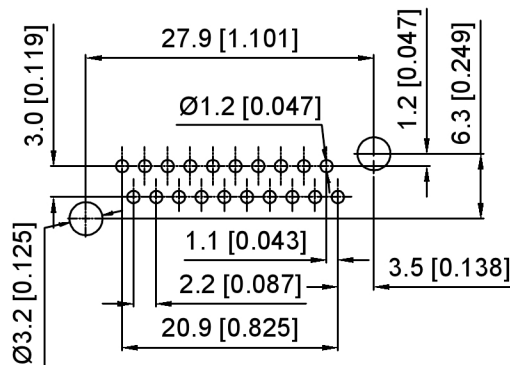
XKB INDUSTRIAL PRECISION CO., LIMITED

WEIGHT	SHEET	REVISION
	1/1	A0

					ANGLAR	±5°
ΔX					L ≤ 4	±0.2
ΔX					4 < L ≤ 16	±0.3
ΔX					16 < L ≤ 63	±0.4
MARK					L > 63	±0.5
REVISIONS					UNSPECIFIED TOLERANCES	
DESCRIPTION		DATE	REVISED	APPROVED		
www.helloxkb.com www.helloxkb.cn www.xk-dg.cn						



SEC:A-A

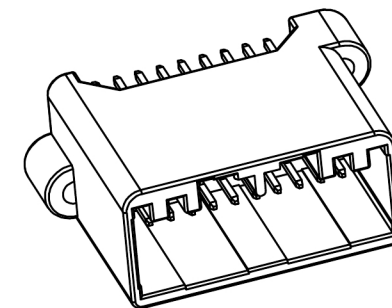
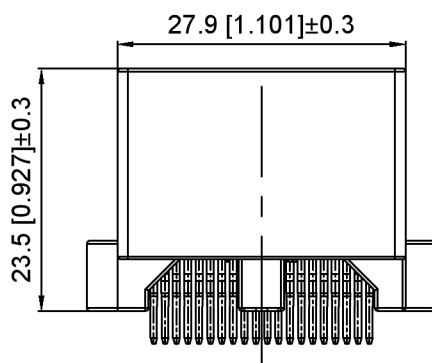
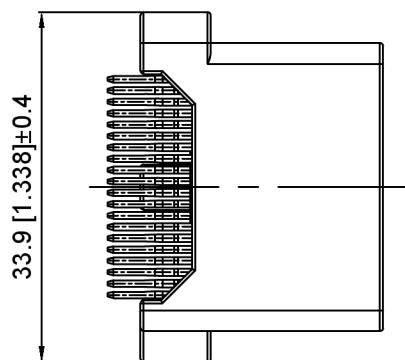
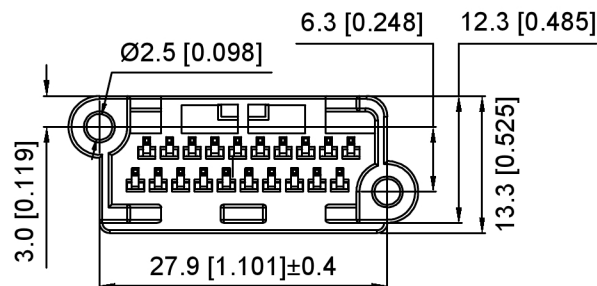
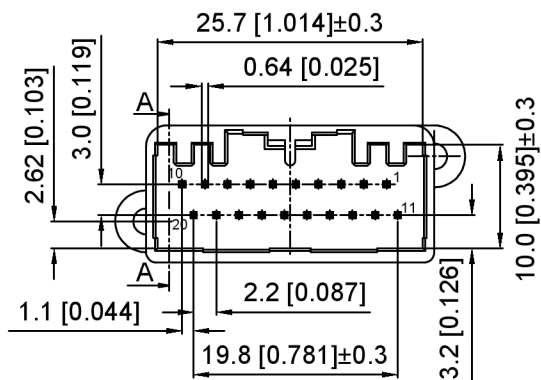


PCB Layout

Current rating:3A AC/DC
 额定电流: 3A AC/DC
 Temperature range:-40°C-+125°C
 温度范围: -40°C-+125°C

K 137635 W V - 2xXX B - PT SN
 ① ② ③ ④ ⑤ ⑥ ⑦ ⑧

- 1.K: XKBTEK-Car Connector
- 2.XKB Series No
- 3.Category:W-Wafer
- 4.Welding Board Range:V-Stright 180°
- 5.Row No.Pin No:2xXX-2x10 Pin
- 6.Special No:B-Misaligned foot
- 7.Material:PT-PBT
- 8.Palting:SN-Plated Tin



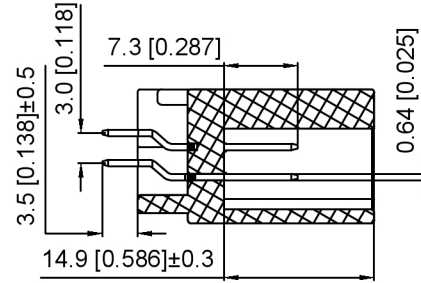
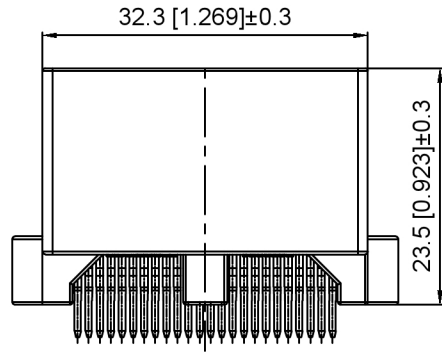
K137635WW-2xXXB-PTSN	PBT	Gray	Brass	K137635H-B
PART NO	Material	Color	Material(Pin)	Suitable XKB Housing

DSND	SCALE: N/A	MODEL TYPE: 2.2mm Automobile connector		
DWN	VIEW:	PART NO.: K137635WW-2xXXB-PTSN		
CHKD	UNIT: mm/in	DWG NO.: X-K137635WW-2xXXB-PTSN		
APPD	SIZE: A4	WEIGHT	SHEET	REVISION
			1/1	A0



XKB INDUSTRIAL PRECISION CO.,LIMITED

					ANGLAR	±5°
ΔX					L ≤ 4	±0.2
ΔX					4 < L ≤ 16	±0.3
ΔX					16 < L ≤ 63	±0.4
MARK					L > 63	±0.5
REVISIONS						UNSPECIFIED TOLERANCES
www.helloxkb.com www.helloxkb.cn www.xk-dg.cn						

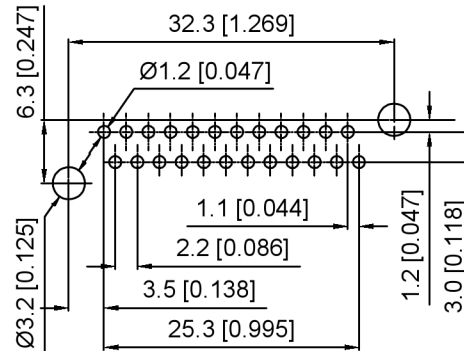
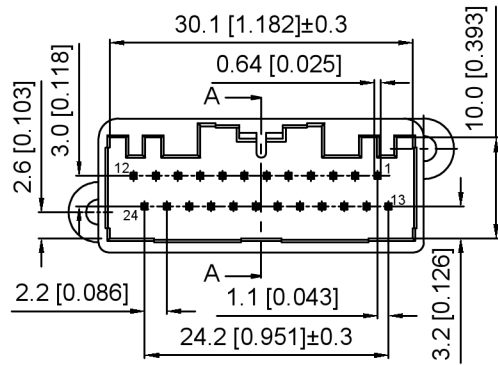


SEC:A-A

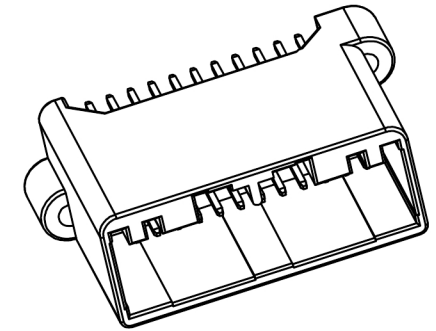
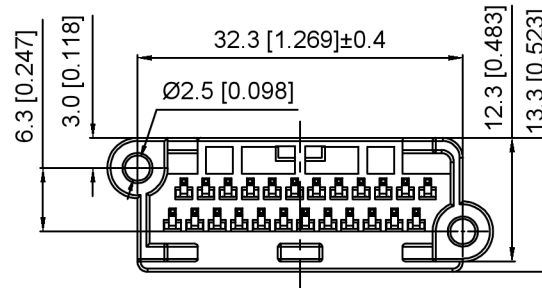
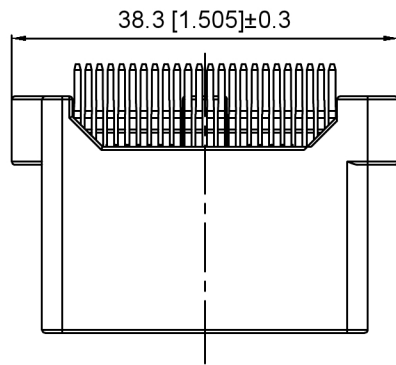
Current rating:3A AC/DC
 额定电流: 3A AC/DC
 Temperature range:-40℃~+125℃
 温度范围: -40℃~+125℃

K 137635 W V - 2xXX B - PT SN
 ① ② ③ ④ ⑤ ⑥ ⑦ ⑧

- 1.K: XKBTEK-Car Connector
- 2.XKB Series No
- 3.Category:W-Wafer
- 4.Welding Board Range:V-Stright 180°
- 5.Row No.Pin No:2xXX-2x12 Pin
- 6.Special No:B-Misaligned foot
- 7.Material:PT-PBT
- 8.Palting:SN-Plated Tin



PCB Layout



K137635WW-2xXXB-PTS	PBT	Gray	Brass	K137635H-B
PART NO	Material	Color	Material(Pin)	Suitable XKB Housing

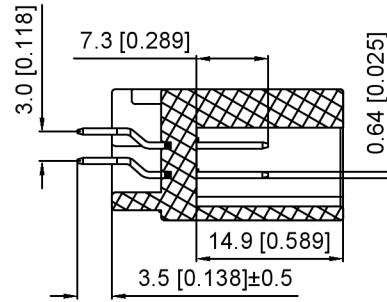
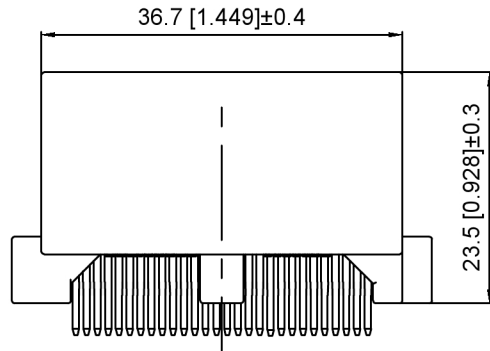
DSND	SCALE: N/A	MODEL TYPE: 2.2mm Automobile connector
DWN	VIEW:	PART NO.: K137635WW-2xXXB-PTS
CHKD	UNIT: mm/in	DWG NO.: X-K137635WW-2xXXB-PTS
APPD	SIZE: A4	



XKB INDUSTRIAL PRECISION CO., LIMITED

WEIGHT	SHEET	REVISION
	1/1	A0

					ANGLAR	±5°
Δx					L ≤ 4	±0.2
Δx					4 < L ≤ 16	±0.3
Δx					16 < L ≤ 63	±0.4
MARK	DESCRIPTION	DATE	REVISED	APPROVED	L > 63	±0.5
REVISIONS					UNSPECIFIED TOLERANCES	
www.helloxkb.com www.helloxkb.cn www.xk-dg.cn						

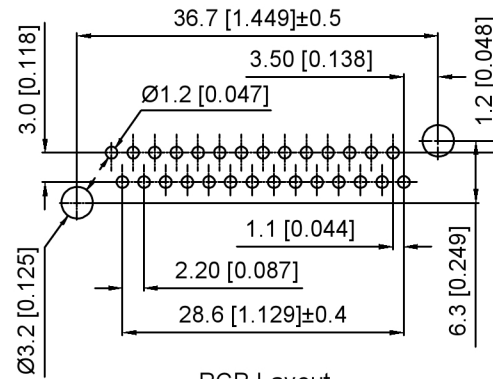
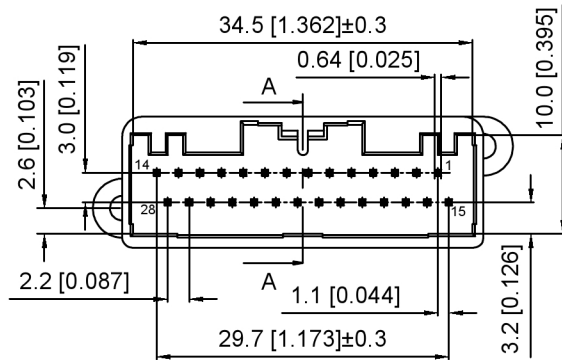


SEC:A-A

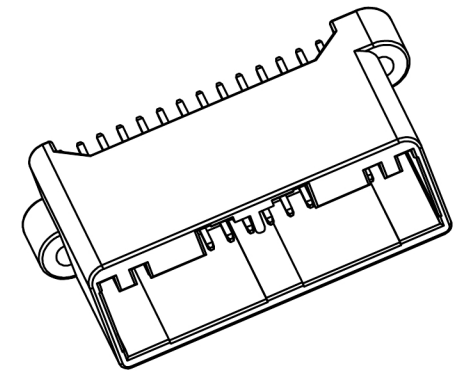
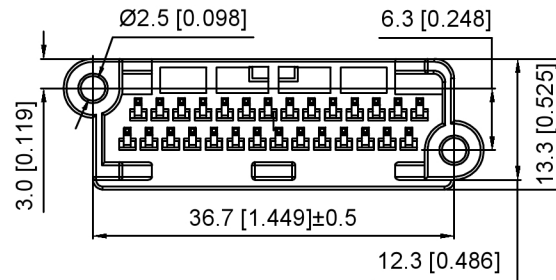
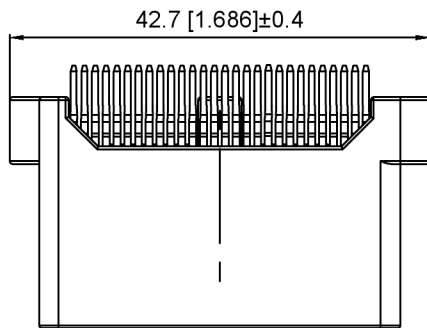
Current rating: 3A AC/DC
 额定电流: 3A AC/DC
 Temperature range: -40°C~+125°C
 温度范围: -40°C~+125°C

K 137635 W V - 2xXX B - PT SN
 ① ② ③ ④ ⑤ ⑥ ⑦ ⑧

- 1.K: XKBTEK-Car Connector
- 2.XKB Series No
- 3.Category:W-Wafer
- 4.Welding Board Range:V-Straight 180°
- 5.Row No.Pin No:2xXX-2x14 Pin
- 6.Special No:B-Misaligned foot
- 7.Material:PT-PBT
- 8.Palting:SN-Plated Tin



PCB Layout



K137635WW-2xXXB-PTSN	PBT	Gray	Brass	K137635H-B
PART NO	Material	Color	Material(Pin)	Suitable XKB Housing

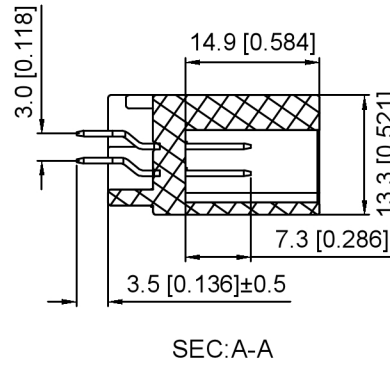
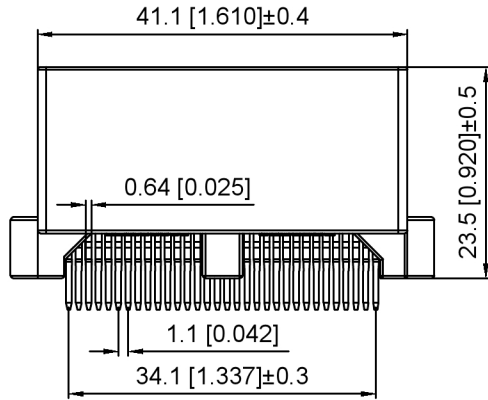
DSND	SCALE: N/A	MODEL TYPE:		
DWN	VIEW:	2.2mm Automobile connector		
CHKD	UNIT: mm/in	PART NO.:		
APPD	SIZE: A4	K137635WW-2xXXB-PTSN		
		DWG NO.:		
		X-K137635WW-2xXXB-PTSN		
		WEIGHT	SHEET	REVISION
			1/1	A0



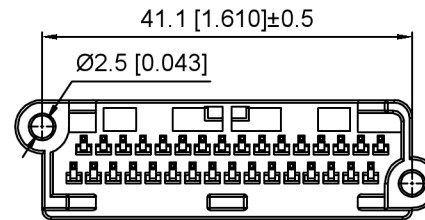
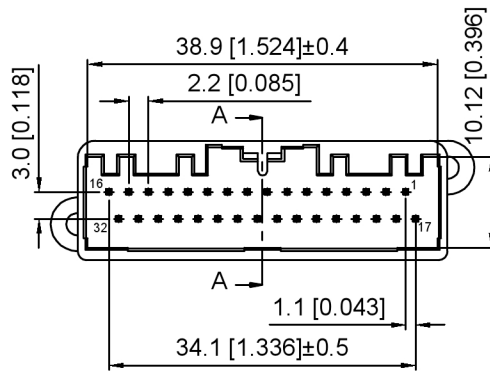
XKB INDUSTRIAL PRECISION CO., LIMITED

ANGLAR	±5°
L ≤ 4	±0.2
4 < L ≤ 16	±0.3
16 < L ≤ 63	±0.4
L > 63	±0.5
UNSPECIFIED TOLERANCES	

MARK	DESCRIPTION	DATE	REVISED	APPROVED
ΔX				
ΔX				
ΔX				

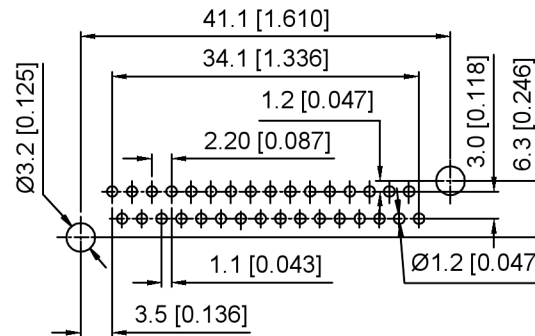
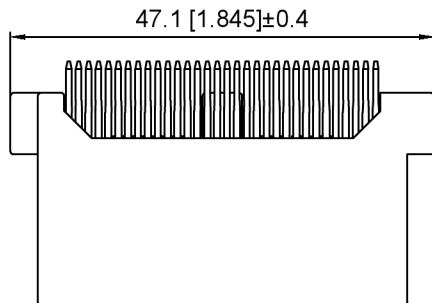


Current rating:3A AC/DC
 额定电流: 3A AC/DC
 Temperature range:-40°C-+125°C
 温度范围: -40°C-+125°C



K 137635 W V - 2xXX B - PT SN
 ① ② ③ ④ ⑤ ⑥ ⑦ ⑧

- 1.K: XKBTEK-Car Connector
- 2.XKB Series No
- 3.Category:W-Wafer
- 4.Welding Board Range:V-Stright 180°
- 5.Row No.Pin No:2xXX-2x16 Pin
- 6.Special No:B-Misaligned foot
- 7.Material:PT-PBT
- 8.Palting:SN-Plated Tin



PCB Layout

K137635WW-2xXXB-PTS	PBT	Gray	Brass	K137635H-B
PART NO	Material	Color	Material(Pin)	Suitable XKB Housing

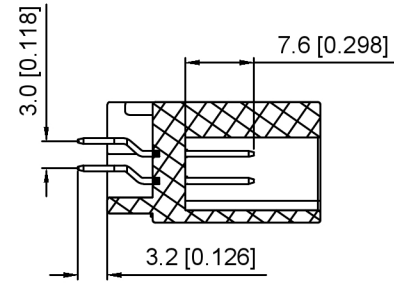
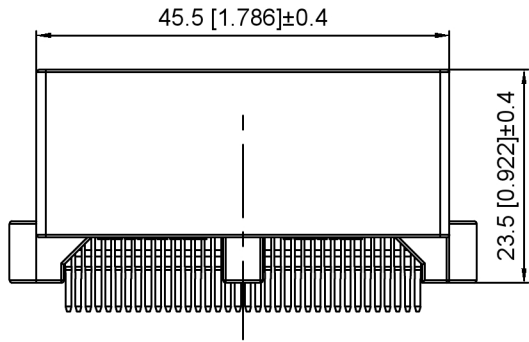
DSND	SCALE: N/A	MODEL TYPE:
DWN	VIEW:	2.2mm Automobile connector
CHKD	UNIT: mm/in	PART NO.:
APPD	SIZE: A4	K137635WW-2xXXB-PTS
		DWG NO.:
		X-K137635WW-2xXXB-PTS
WEIGHT	SHEET	REVISION
	1/1	A0



XKB INDUSTRIAL PRECISION CO.,LIMITED

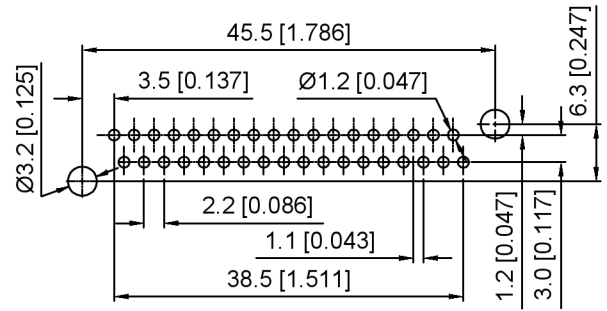
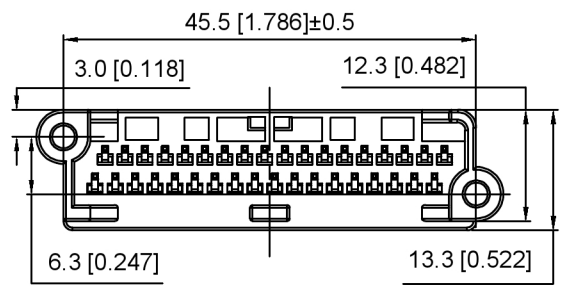
ANGULAR	±5°
L ≤ 4	±0.2
4 < L ≤ 16	±0.3
16 < L ≤ 63	±0.4
L > 63	±0.5
UNSPECIFIED TOLERANCES	

MARK	DESCRIPTION	DATE	REVISED	APPROVED
ΔX				
ΔX				
ΔX				
REVISIONS				



SEC:A-A

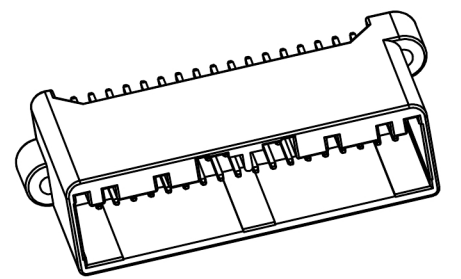
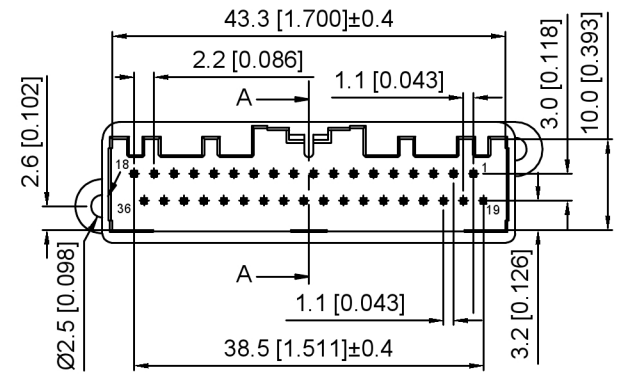
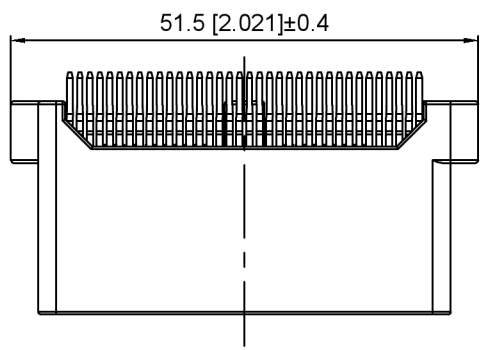
Current rating:3A AC/DC
 额定电流: 3A AC/DC
 Temperature range:-40°C-+125°C
 温度范围: -40°C-+125°C



PCB Layout

K 137635 W V - 2xXX B - PT SN
 ① ② ③ ④ ⑤ ⑥ ⑦ ⑧

- 1.K: XKBTEK-Car Connector
- 2.XKB Series No
- 3.Category:W-Wafer
- 4.Welding Board Angle:V-Stright 180°
- 5.Row No.Pin No:2xXX-2x18 Pin
- 6.Special No:B-Misaligned foot
- 7.Material:PT-PBT
- 8.Palting:SN-Plated Tin



K137635WV-2xXXB-PTSN	PBT	Gray	Brass	K137635H-B
PART NO	Material	Color	Material(Pin)	Suitable XKB Housing

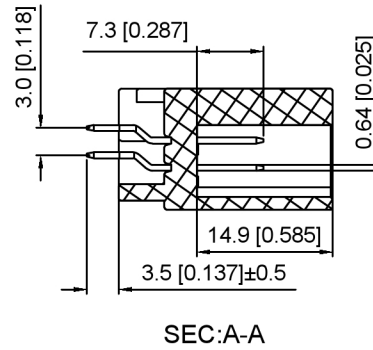
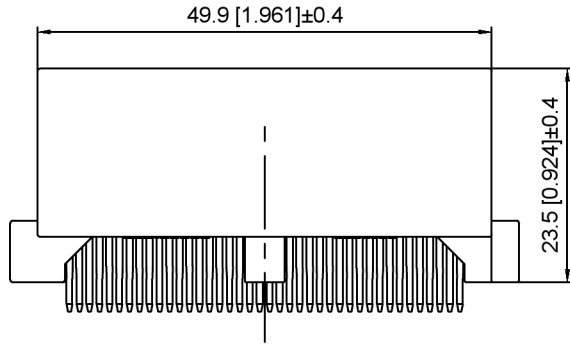
DSND	SCALE: N/A	MODEL TYPE: 2.2mm Automobile connector
DWN	VIEW:	PART NO.: K137635WV-2xXXB-PTSN
CHKD	UNIT: mm/in	DWG NO.:
APPD	SIZE: A4	X-K137635WV-2xXXB-PTSN

Δx					ANGULAR	±5°
Δx					L ≤ 4	±0.2
Δx					4 < L ≤ 16	±0.3
Δx					16 < L ≤ 63	±0.4
MARK	DESCRIPTION	DATE	REVISED	APPROVED	L > 63	±0.5
REVISIONS					UNSPECIFIED TOLERANCES	

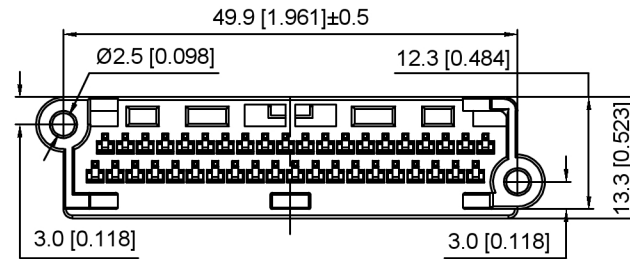
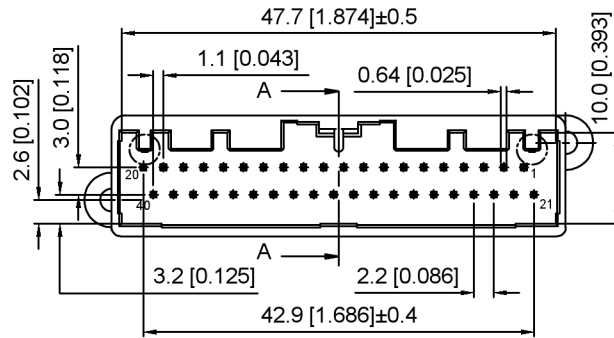


XKB INDUSTRIAL PRECISION CO., LIMITED

WEIGHT	SHEET	REVISION
	1/1	A0

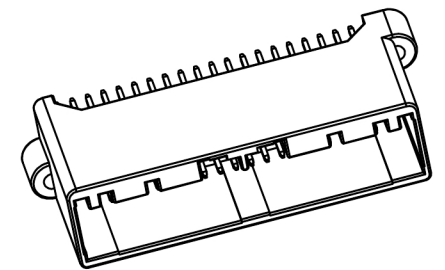
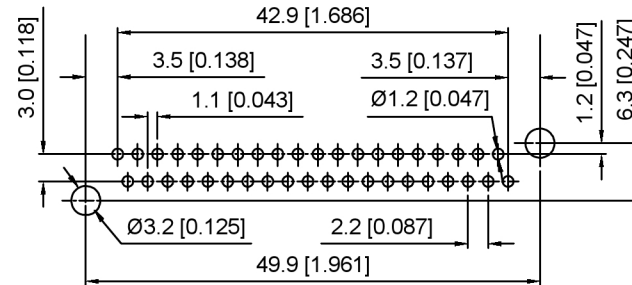
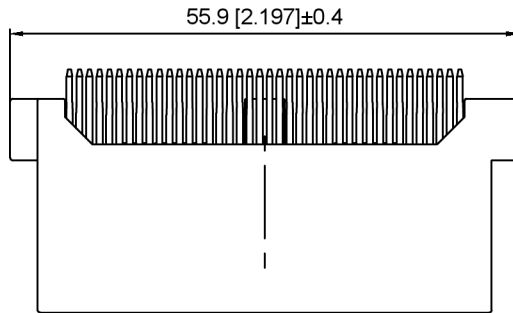


Current rating:3A AC/DC
 额定电流: 3A AC/DC
 Temperature range:-40°C~+125°C
 温度范围: -40°C~+125°C



K 137635 W V - 2xXX B - PT SN
 ① ② ③ ④ ⑤ ⑥ ⑦ ⑧

- 1.K: XKBTEK-Car Connector
- 2.XKB Series No
- 3.Category:W-Wafer
- 4.Welding Board Range:V-Stright 180°
- 5.Row No.Pin No:2xXX-2x20 Pin
- 6.Special No:B-Misaligned foot
- 7.Material:PT-PBT
- 8.Palting:SN-Plated Tin



PCB Layout

K137635WV-2xXXB-PTS	PBT	Gray	Brass	K137635H-B
PART NO	Material	Color	Material(Pin)	Suitable XKB Housing

DSND	SCALE: N/A	MODEL TYPE: 2.2mm Automobile connector
DWN	VIEW:	PART NO.: K137635WV-2xXXB-PTS
CHKD	UNIT: mm/in	DWG NO.: X-K137635WV-2xXXB-PTS
APPD	SIZE: A4	WEIGHT SHEET REVISION
		1/1 A0



XKB INDUSTRIAL PRECISION CO.,LIMITED

ANGLAR	±5°
L ≤ 4	±0.2
4 < L ≤ 16	±0.3
16 < L ≤ 63	±0.4
L > 63	±0.5
UNSPECIFIED TOLERANCES	

ΔX					
ΔX					
ΔX					
MARK	DESCRIPTION	DATE	REVISED	APPROVED	

X-ON Electronics

Largest Supplier of Electrical and Electronic Components

Click to view similar products for [Automotive Connectors](#) category:

Click to view products by [XKB](#) manufacturer:

Other Similar products are found below :

[003-018-000](#) [60993906-B](#) [72.330.1035.1](#) [776880-1](#) [827153-1](#) [9-1326729-8](#) [9-221607-5](#) [925474-1](#) [928905-1](#) [964562-4](#) [968782-1](#) [12004468](#)
[12004475-L](#) [12004483](#) [12052466](#) [12066163](#) [12015909](#) [12077753](#) [1-21030-1](#) [12047957](#) [12047958](#) [12084688](#) [12185550](#) [12336-12](#) [1-](#)
[326211-1](#) [13681974](#) [13688972](#) [13755420](#) [13779834](#) [13783086](#) [13843152](#) [13522378](#) [13581967](#) [13669624](#) [13675513](#) [13753471](#) [13946876](#)
[13953457](#) [13955963](#) [13964573](#) [13971791](#) [13790534-L](#) [13797473](#) [13805590](#) [13888202](#) [13969981](#) [1428188-1](#) [1437287-3](#) [1428188-2](#) [DS07-](#)
[19S-5020](#)