

Current rating:3A AC/DC  
 额定电流: 3A AC/DC  
 Temperature range:-40°C~+125°C  
 温度范围: -40°C~+125°C

K 174960 W V - XX - PT SN  
 ① ② ③ ④ ⑤ ⑥ ⑦

- 1.K: XKBTEK-Car Connector
- 2.XKB Series No
- 3.Category:W-Wafer
- 4.Welding Board Range:V-Stright 180°
- 5.Row No.Pin No:XX-12 Pin
- 6.Material:PT-PBT
- 7.Palting:SN-Plated Tin

|                   |          |                 |                      |
|-------------------|----------|-----------------|----------------------|
| K174960WV-XX-PTSN | PBT      | Phosphor Bronze | K174960H             |
| PART NO           | Material | Material(Pin)   | Suitable XKB Housing |

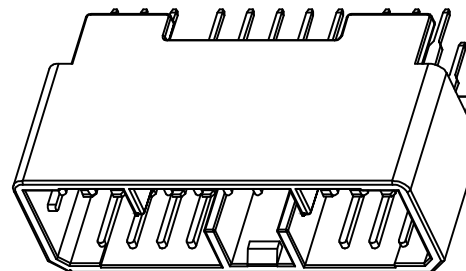
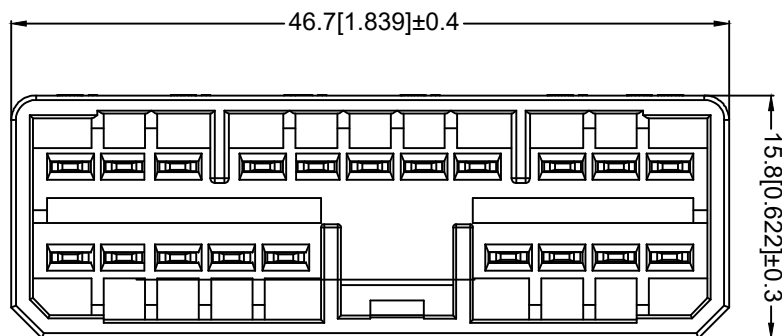
|      |             |   |
|------|-------------|---|
| DSND | SCALE: N/A  | MODEL TYPE:<br>3.5mm Automobile connector |
| DWN  | VIEW:       | PART NO.:<br>K174960WV-XX-PTSN            |
| CHKD | UNIT: mm/in | DWG NO.:<br>X-K174960WV-XX-PTSN           |
| APPD | SIZE: A4    |   |

| MARK | DESCRIPTION | DATE | REVISED | APPROVED | UNSPECIFIED TOLERANCES |
|------|-------------|------|---------|----------|------------------------|
| ΔX   |             |      |         |          | ANGLAR ±5°             |
| ΔX   |             |      |         |          | L ≤ 4 ±0.2             |
| ΔX   |             |      |         |          | 4 < L ≤ 16 ±0.3        |
|      |             |      |         |          | 16 < L ≤ 63 ±0.4       |
|      |             |      |         |          | L > 63 ±0.5            |



XKB INDUSTRIAL PRECISION CO., LIMITED

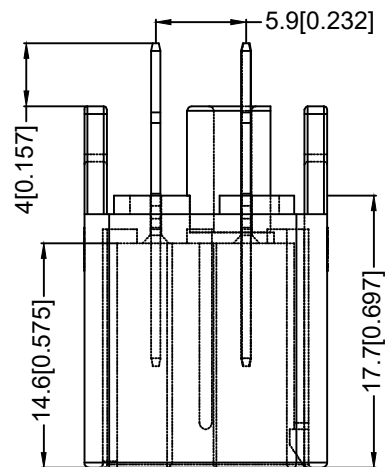
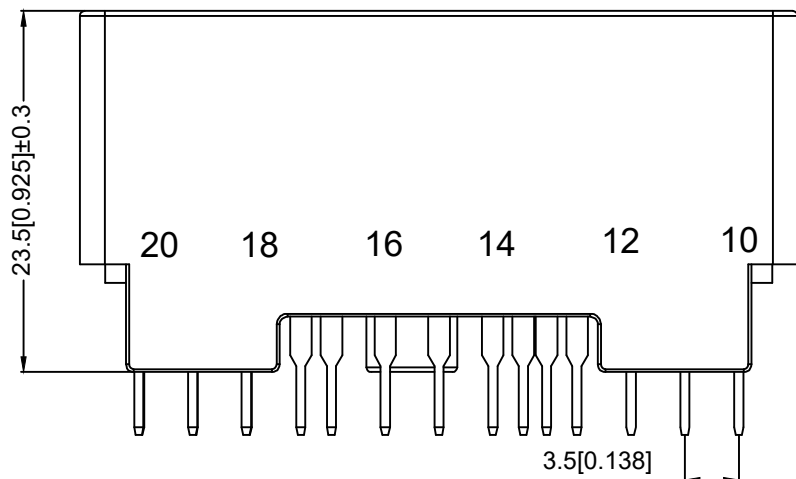
|        |       |          |
|--------|-------|----------|
| WEIGHT | SHEET | REVISION |
|        | 1/1   | A0       |



Current rating: 3A AC/DC  
 额定电流: 3A AC/DC  
 Temperature range: -40°C - +125°C  
 温度范围: -40°C - +125°C

K 174960 W V - XX - PT SN  
 ① ② ③ ④ ⑤ ⑥ ⑦

- 1.K: XKBTEK-Car Connector
- 2.XKB Series No
- 3.Category: W-Wafer
- 4.Welding Board Range: V-Stright 180°
- 5.Row No. Pin No: XX-20 Pin
- 6.Material: PT-PBT
- 7.Palting: SN-Plated Tin



|                   |          |                 |                      |
|-------------------|----------|-----------------|----------------------|
| K174960WV-XX-PTSN | PBT      | Phosphor Bronze | K174960H             |
| PART NO           | Material | Material(Pin)   | Suitable XKB Housing |

|      |             |   |
|------|-------------|---|
| DSND | SCALE: N/A  | MODEL TYPE:<br>3.5mm Automobile connector |
| DWN  | VIEW:       | PART NO.:<br>K174960WV-XX-PTSN            |
| CHKD | UNIT: mm/in | DWG NO.:<br>X-K174960WV-XX-PTSN           |
| APPD | SIZE: A4    |   |

| MARK  | DESCRIPTION | DATE | REVISED | APPROVED | UNSPECIFIED TOLERANCES |
|---|-------------|------|---------|----------|------------------------|
| ΔX  |             |      |         |          | ANGLAR ±5°             |
| ΔX  |             |      |         |          | L ≤ 4 ±0.2             |
| ΔX  |             |      |         |          | 4 < L ≤ 16 ±0.3        |
|   |             |      |         |          | 16 < L ≤ 63 ±0.4       |
|   |             |      |         |          | L > 63 ±0.5            |
| REVISIONS                                     |             |      |         |          |                        |
| www.helloxkb.com www.helloxkb.cn www.xk-dg.cn |             |      |         |          |                        |



XKB INDUSTRIAL PRECISION CO., LIMITED

|        |       |          |
|--------|-------|----------|
| WEIGHT | SHEET | REVISION |
|        | 1/1   | A0       |

## X-ON Electronics

Largest Supplier of Electrical and Electronic Components

*Click to view similar products for [Automotive Connectors](#) category:*

*Click to view products by [XKB](#) manufacturer:*

Other Similar products are found below :

[003-018-000](#) [60993906-B](#) [72.330.1035.1](#) [776880-1](#) [827153-1](#) [9-1326729-8](#) [9-221607-5](#) [925474-1](#) [928905-1](#) [964562-4](#) [968782-1](#) [12004468](#)  
[12004475-L](#) [12004483](#) [12052466](#) [12066163](#) [12015909](#) [12077753](#) [1-21030-1](#) [12047957](#) [12047958](#) [12084688](#) [12185550](#) [12336-12](#) [1-](#)  
[326211-1](#) [13681974](#) [13688972](#) [13755420](#) [13779834](#) [13783086](#) [13843152](#) [13522378](#) [13581967](#) [13669624](#) [13675513](#) [13753471](#) [13946876](#)  
[13953457](#) [13955963](#) [13964573](#) [13971791](#) [13790534-L](#) [13797473](#) [13805590](#) [13888202](#) [1428188-1](#) [1437287-3](#) [1428188-2](#) [DS07-19S-5020](#)  
[1456983-5](#)