

Specification:  
 Volatage Rating:250V AC/DC  
 Current Rating :3A AC/DC  
 Withstaning Voltage:800V AC/Minute  
 Temperature Range:-40°~+125°  
 Insulation Resistance:≥1000MΩ  
 Contact Resistance:≤10MΩ

K 201900 H M - XX - N0  
 ① ② ③ ④ ⑤ ⑥

- 1.K:XKBTEK-Car Connector
- 2.XKB Series No
- 3.Category:H-HSG
- 4.Special No:M-Male HSG
- 5.Row No.Pin No:02Pin~05Pin
- 6.Material:N0-PA66 UL94V-0

Poles	Dimensions(mm)			
	A	B	C	D
02	2.00	4.40	3.20	2.10
03	4.00	6.40	5.00	3.90
04	6.00	8.40	6.60	4.90
05	8.00	10.40	9.00	4.90

K201900HM-XX-N0	PA66	K201900TF	K201900HF	X2000W
PART NO	Material	Suitable XKB Terminal	Suitable XKB Housing	Suitable XKB Wafer

DSND	SCALE: N/A	MODEL TYPE: 2.0mm Automobile connector
DWN	VIEW:	PART NO.: K201900HM-XX-N0
CHKD	UNIT: mm/in	DWG NO.: X-K201900HM-XX-N0
APPD	SIZE: A4	WEIGHT SHEET REVISION 1/1 A0

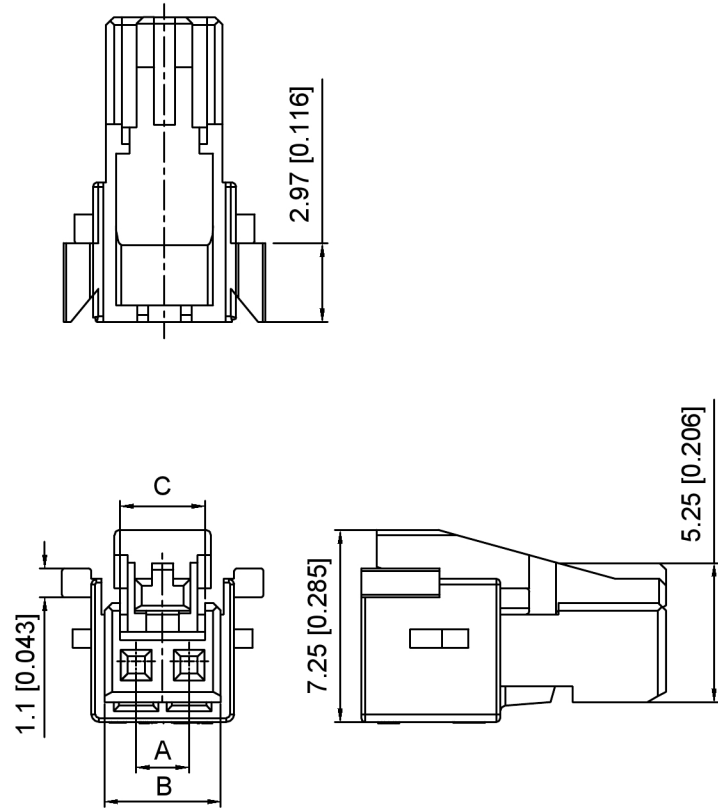


XKB INDUSTRIAL PRECISION CO., LIMITED

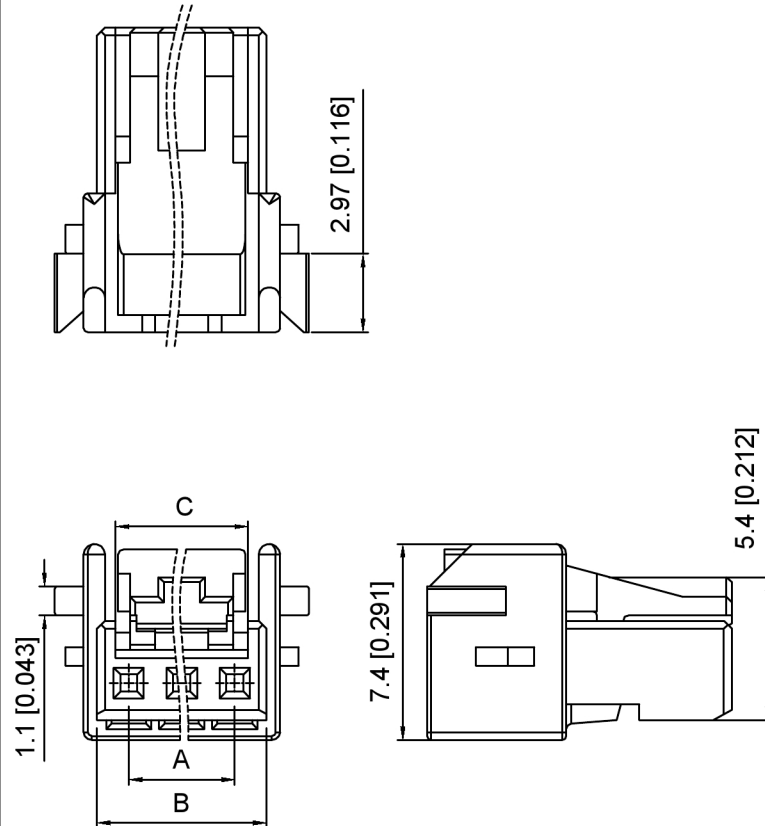
ANGLAR	±5°
L ≤ 4	±0.2
4 < L ≤ 16	±0.3
16 < L ≤ 63	±0.4
L > 63	±0.5
UNSPECIFIED TOLERANCES	

MARK	DESCRIPTION	DATE	REVISED	APPROVED
ΔX				
ΔX				
ΔX				

## 2 Pin



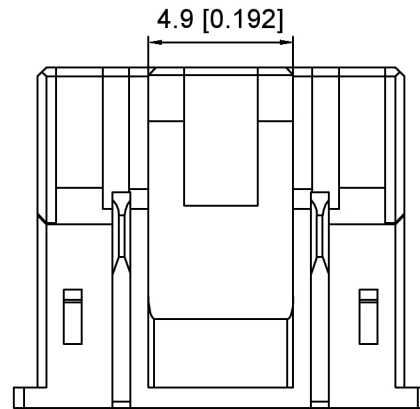
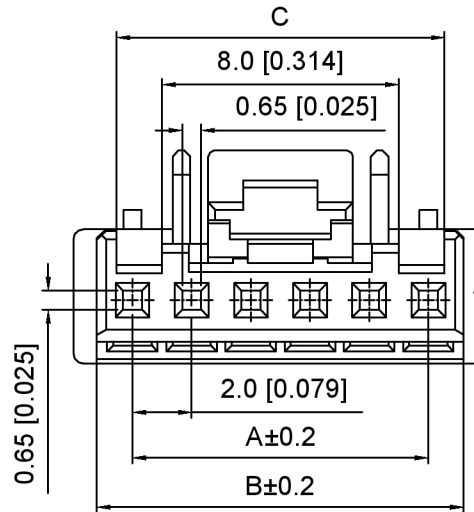
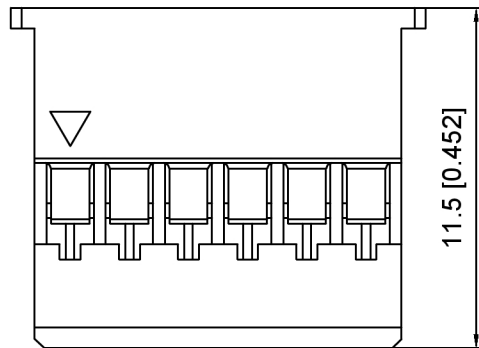
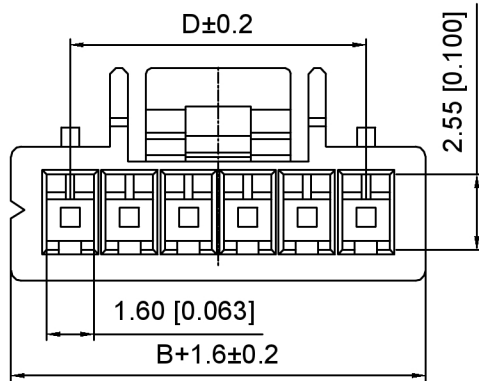
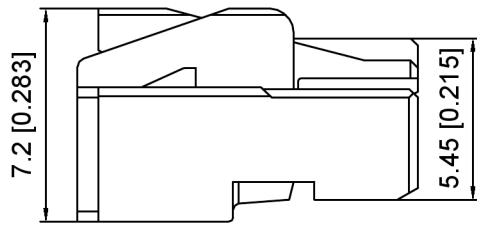
## 3~4 Pin



MARK	DESCRIPTION	DATE	REVISED	APPROVED	UNSPECIFIED TOLERANCES
ΔX					ANGULAR ±5°
ΔX					L ≤ 4 ±0.2
ΔX					4 < L ≤ 16 ±0.3
					16 < L ≤ 63 ±0.4
					L > 63 ±0.5
REVISIONS					
www.helloxkb.com www.helloxkb.cn www.xk-dg.cn					



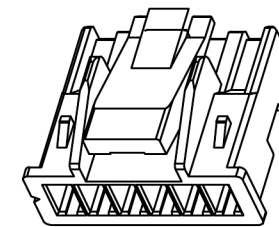
DSND	SCALE: N/A	MODEL TYPE: 2.0mm Automobile connector
DWN	VIEW:	PART NO.: K201900HM-XX-N0
CHKD	UNIT: mm/in	DWG NO.: X-K201900HM-XX-N0
APPD	SIZE: A4	WEIGHT
XKB INDUSTRIAL PRECISION CO., LIMITED		SHEET
		1/1
		REVISION
		A0



Specification:  
 Volatage Rating:250V AC/DC  
 Current Rating :3A AC/DC  
 Withstaning Voltage:800V AC/Minute  
 Temperature Range:-40°~+125°  
 Insulation Resistance:≥1000MΩ  
 Contact Resistance:≤10MΩ

K 201900 H M - XX - N0  
 ① ② ③ ④ ⑤ ⑥

- 1.K:XKBTEK-Car Connector
- 2.XKB Series No
- 3.Category:H-HSG
- 4.Special No:M-Male HSG
- 5.Row No.Pin No:06Pin~09Pin
- 6.Material:N0-PA66 UL94V-0



Poles	Dimensions(mm)			
	A	B	C	D
06	10.00	12.40	11.10	10.00
07	12.00	14.40	13.10	10.00
08	14.00	16.40	15.10	10.00
09	16.00	18.40	17.10	12.00

K201900HM-XX-N0	PA66	K201900TF	K201900HF	X2000W
PART NO	Material	Suitable XKB Terminal	Suitable XKB Housing	Suitable XKB Wafer

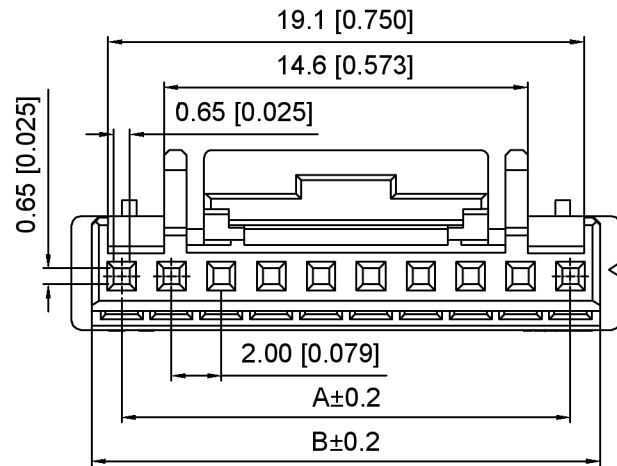
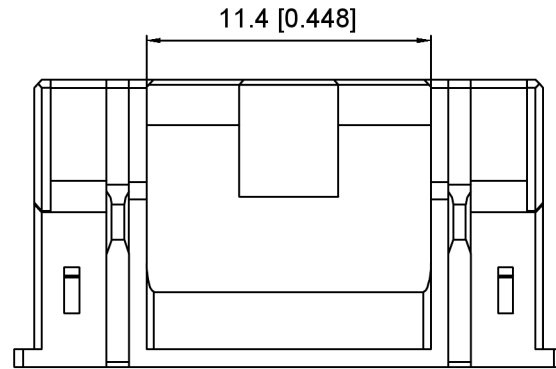
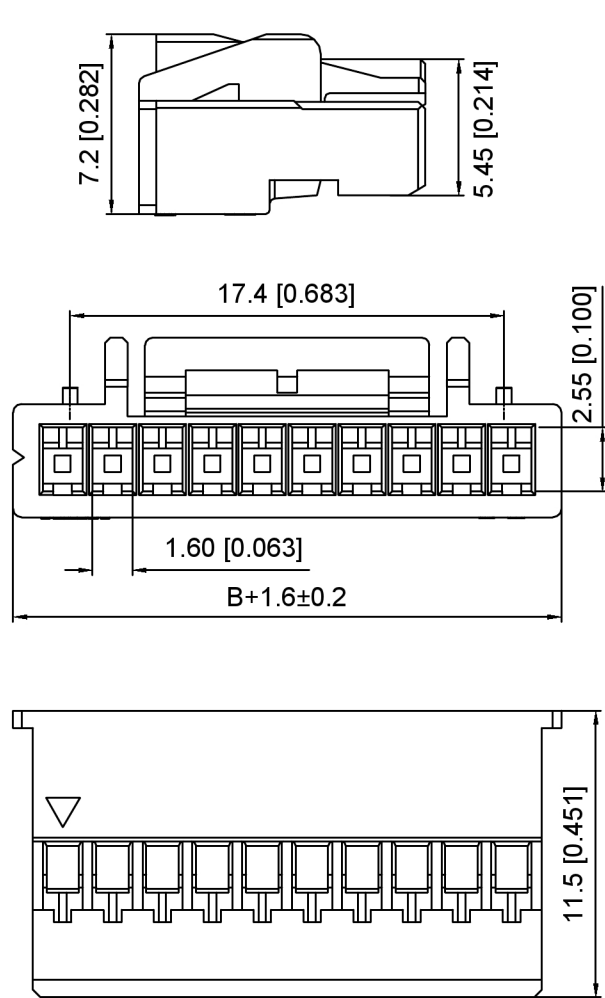
DSND	SCALE: N/A	MODEL TYPE: 2.0mm Automobile connector
DWN	VIEW:	PART NO.: K201900HM-XX-N0
CHKD	UNIT: mm/in	DWG NO.: X-K201900HM-XX-N0
APPD	SIZE: A4	

**XKB**

XKB INDUSTRIAL PRECISION CO.,LIMITED

WEIGHT	SHEET	REVISION
	1/1	A0

					ANGLAR	±5°
Δx					L ≤ 4	±0.2
Δx					4 < L ≤ 16	±0.3
Δx					16 < L ≤ 63	±0.4
MARK					L > 63	±0.5
REVISIONS						UNSPECIFIED TOLERANCES
www.helloxkb.com www.helloxkb.cn www.xk-dg.cn						



Specification:  
 Volatage Rating:250V AC/DC  
 Current Rating :3A AC/DC  
 Withstaning Voltage:800V AC/Minute  
 Temperature Range:-40°~+125°  
 Insulation Resistance:≥1000MΩ  
 Contact Resistance:≤10MΩ

K 201900 H M - XX - N0  
 ① ② ③ ④ ⑤ ⑥

- 1.K:XKBTEK-Car Connector
- 2.XKB Series No
- 3.Category:H-HSG
- 4.Special No:M-Male HSG
- 5.Row No.Pin No:10Pin~15Pin
- 6.Material:N0-PA66 UL94V-0

Poles	Dimensions(mm)		
	A	B	C
10	18.00	20.40	19.10
11	20.00	22.40	21.10
12	22.00	24.40	23.10
13	24.00	26.40	25.10
14	26.00	28.40	27.10
15	28.00	30.40	29.10

K201900HM-XX-N0	PA66	K201900TF	K201900HF	X2000W
PART NO	Material	Suitable XKB Terminal	Suitable XKB Housing	Suitable XKB Wafer

DSND	SCALE: N/A	MODEL TYPE: 2.0mm Automobile connector
DWN	VIEW:	PART NO.: K201900HM-XX-N0
CHKD	UNIT: mm/in	DWG NO.: X-K201900HM-XX-N0
APPD	SIZE: A4	WEIGHT SHEET REVISION
		1/1 A0



XKB INDUSTRIAL PRECISION CO.,LIMITED

MARK	DESCRIPTION	DATE	REVISED	APPROVED	UNSPECIFIED TOLERANCES
					ANGLAR ±5°
ΔX					L ≤ 4 ±0.2
ΔX					4 < L ≤ 16 ±0.3
ΔX					16 < L ≤ 63 ±0.4
					L > 63 ±0.5

## X-ON Electronics

Largest Supplier of Electrical and Electronic Components

*Click to view similar products for [Headers & Wire Housings](#) category:*

*Click to view products by [XKB](#) manufacturer:*

Other Similar products are found below :

[0015917161](#) [0022155065](#) [57102-F02-18ULF](#) [58102-G61-06LF](#) [582553-1](#) [01.001.5753.1](#) [0050291907](#) [02.125.8002.8](#) [609-3404](#) [61062-3](#)  
[CSU011177004](#) [622-0430](#) [622-3653LF](#) [63453-116](#) [636-1030](#) [636-1427](#) [636-3427](#) [636-4007](#) [641938-9](#) [65495-038](#) [65692-001LF](#) [65781-018](#)  
[65781-047](#) [65817-010LF](#) [65817-015LF](#) [67095-007LF](#) [67601157](#) [68631-112](#) [68645-018](#) [699319-000](#) [70.362.1628.0](#) [70-4210](#) [70-4226B](#) [70-](#)  
[4853B](#) [71.350.2428.0](#) [733-134](#) [733-162](#) [760-3052](#) [MHR-64-VUAL](#) [80.063.4001.1](#) [800-90-001-10-001000](#) [801-43-002-10-013000](#)  
[801-43-006-10-002000](#) [803-43-024-10-001000](#) [803-93-012-10-001000](#) [8-1437020-4](#) [819-22-004-30-001101](#) [820-22-006-30-001101](#)  
[820-22-008-30-001101](#) [821-22-002-10-001101](#)