

Specifications:

规格:

Voltage rating:100V AC/DC
 额定电压: 100V AC/DC
 Current rating:3A AC/DC
 额定电流: 3A AC/DC
 Withstanding voltage:1000V AC/minute
 耐受电压: 1000V AC/分钟
 Temperature range:-40°C-+85°C
 温度范围: -40°C-+85°C
 Insulation resistance: 1000MΩ min
 绝缘电阻: 1000MΩ Min
 Contact resistance:20mΩ Max
 接触电阻: 20mΩ Max

K 205001 W V - XX - PT SN
 ① ② ③ ④ ⑤ ⑥ ⑦

- 1.K-XKBTEK-Car Connector
- 2.XKB Series No
- 3.Categoiy:W-Wafer
- 4.Welding Board Angle:V-Straight 180°
- 5.Row No.Pin No:XX-02 Pin
- 6.Material:PT-PBT
- 7.Plating:SN-Tin Plating

K205001WV-XX-PTSN	PBT	Phosphor Bronze	K205001HM
PART NO	Material	Material(Pin)	Suitable XKB Housing

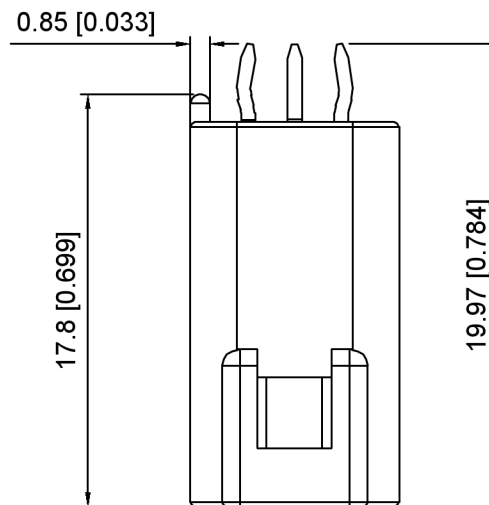
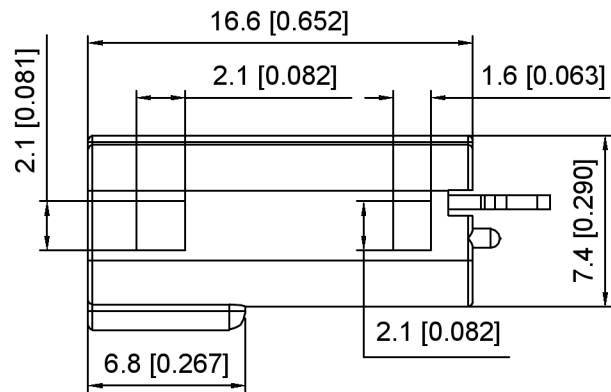
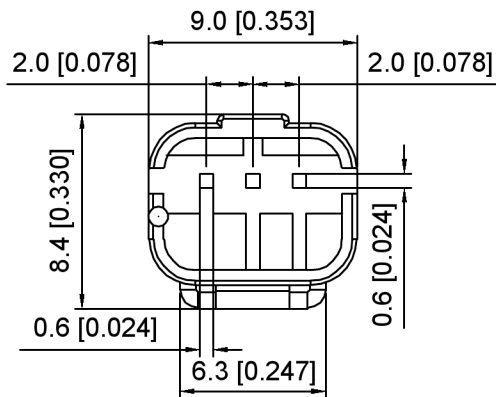
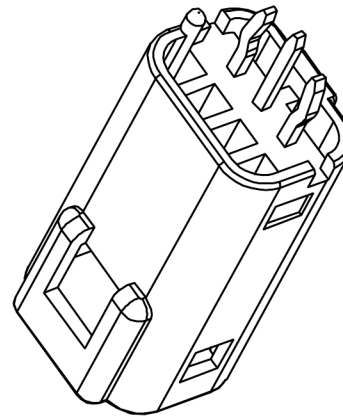
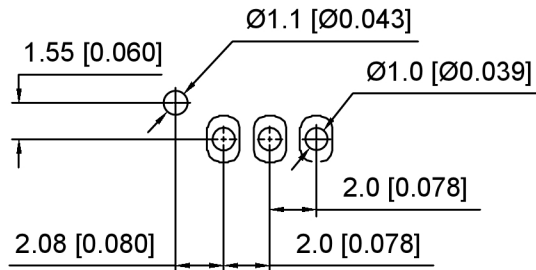
DSND	SCALE: N/A	MODEL TYPE: 2.0mm automotive connector
DWN	VIEW:	PART NO.: K205001WV-XX-PTSN
CHKD	UNIT: mm/in	DWG NO.: X-K205001WV-XX-PTSN
APPD	SIZE: A4	WEIGHT SHEET REVISION 1/1 A0



XKB INDUSTRIAL PRECISION CO.,LIMITED

ANGLAR	±5°
L ≤ 4	±0.2
4 < L ≤ 16	±0.3
16 < L ≤ 63	±0.4
L > 63	±0.5
UNSPECIFIED TOLERANCES	

MARK	DESCRIPTION	DATE	REVISED	APPROVED
ΔX				
ΔX				
ΔX				



Specifications:

规格:

- Voltage rating: 100V AC/DC
- 额定电压: 100V AC/DC
- Current rating: 3A AC/DC
- 额定电流: 3A AC/DC
- Withstanding voltage: 1000V AC/minute
- 耐受电压: 1000V AC/分钟
- Temperature range: -40°C-+85°C
- 温度范围: -40°C-+85°C
- Insulation resistance: 1000MΩ min
- 绝缘电阻: 1000MΩ Min
- Contact resistance: 20mΩ Max
- 接触电阻: 20mΩ Max

K 205001 W V - XX - PT SN
 ① ② ③ ④ ⑤ ⑥ ⑦

- 1.K-XKBTEK-Car Connector
- 2.XKB Series No
- 3.Category:W-Wafer
- 4.Welding Board Aagle:V-Straight 180°
- 5.Row No.Pin No:XX-03 Pin
- 6.Material:PT-PBT
- 7.Plating:SN-Tin Plating

K205001WW-XX-PTSN	PBT	Phosphor Bronze	K205001HM
PART NO	Material	Material(Pin)	Suitable XKB Housing

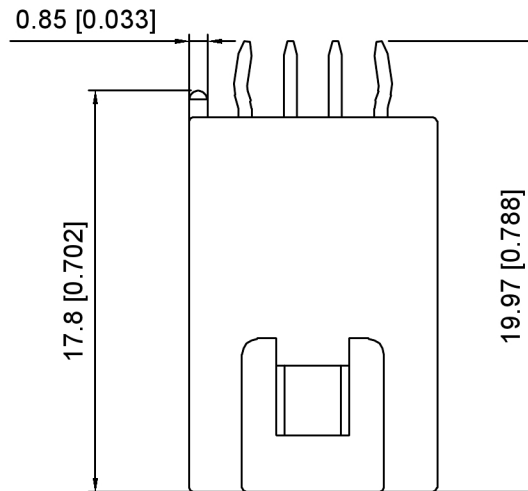
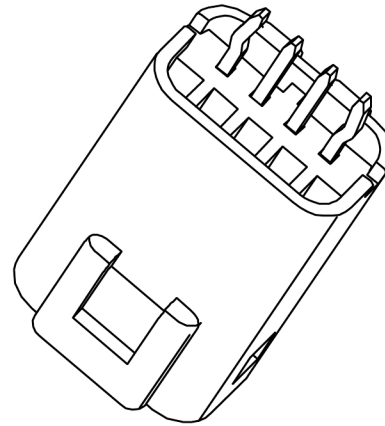
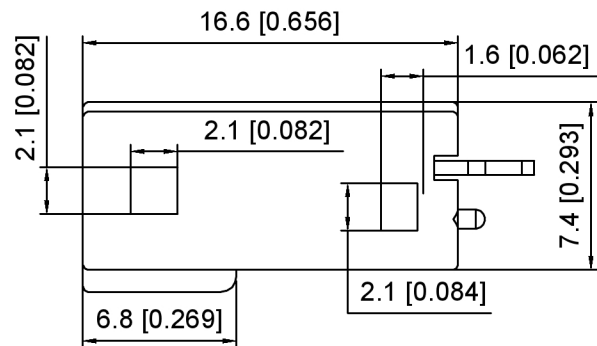
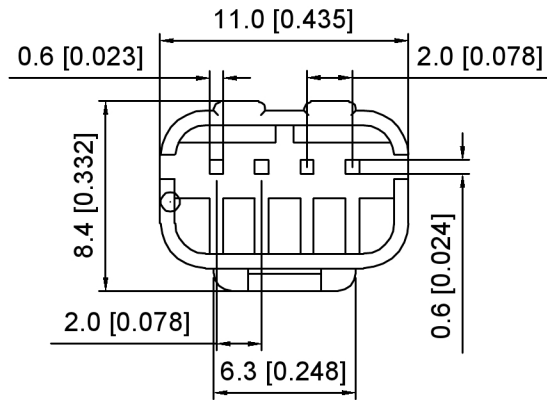
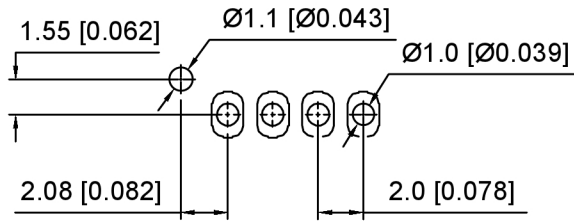
DSND	SCALE: N/A	MODEL TYPE: 2.0mm automotive connector
DWN	VIEW:	PART NO.: K205001WW-XX-PTSN
CHKD	UNIT: mm/in	DWG NO.: X-K205001WW-XX-PTSN
APPD	SIZE: A4	WEIGHT SHEET REVISION



XKB INDUSTRIAL PRECISION CO., LIMITED

ANGULAR	±5°
L ≤ 4	±0.2
4 < L ≤ 16	±0.3
16 < L ≤ 63	±0.4
L > 63	±0.5

UNSPECIFIED TOLERANCES



Specifications:

规格:

Voltage rating: 100V AC/DC
 额定电压: 100V AC/DC
 Current rating: 3A AC/DC
 额定电流: 3A AC/DC
 Withstanding voltage: 1000V AC/minute
 耐受电压: 1000V AC/分钟
 Temperature range: -40°C +85°C
 温度范围: -40°C +85°C
 Insulation resistance: 1000MΩ min
 绝缘电阻: 1000MΩ Min
 Contact resistance: 20mΩ Max
 接触电阻: 20mΩ Max

K 205001 W V - XX - PT SN
 ① ② ③ ④ ⑤ ⑥ ⑦

- 1.K-XKBTEK-Car Connector
- 2.XKB Series No
- 3.Categoiy:W-Wafer
- 4.Welding Board Angle:V-Straight 180°
- 5.Row No.Pin No:XX-04 Pin
- 6.Material:PT-PBT
- 7.Plating:SN-Tin Plating

K205001WW-XX-PTSN	PBT	Phosphor Bronze	K205001HM
PART NO	Material	Material(Pin)	Suitable XKB Housing

DSND	SCALE: N/A	MODEL TYPE: 2.0mm automotive connector
DWN	VIEW:	PART NO.: K205001WW-XX-PTSN
CHKD	UNIT: mm/in	DWG NO.: X-K205001WW-XX-PTSN
APPD	SIZE: A4	

ANGLAR	±5°
L ≤ 4	±0.2
4 < L ≤ 16	±0.3
16 < L ≤ 63	±0.4
L > 63	±0.5

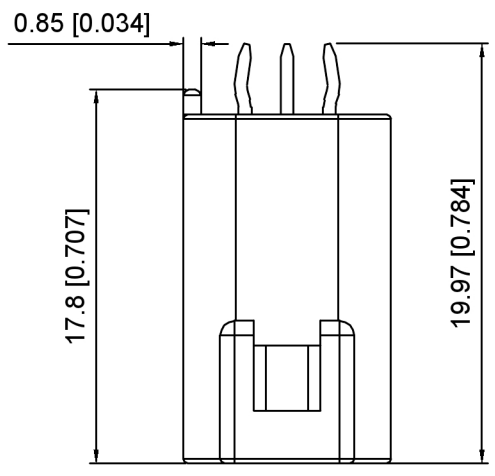
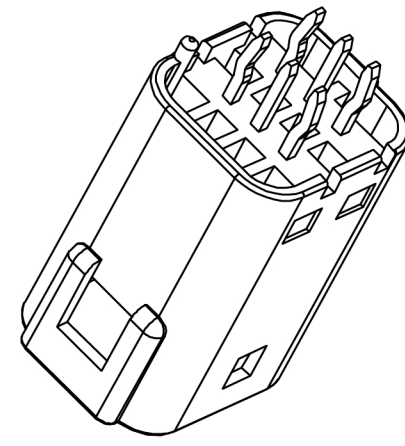
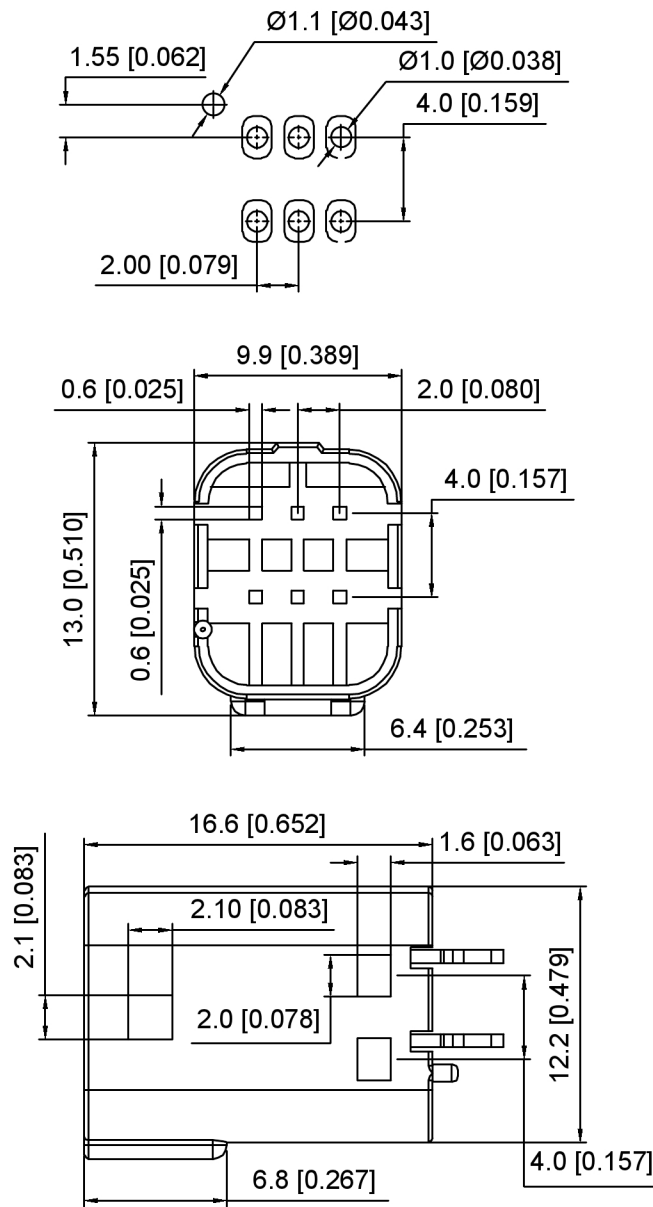


XKB INDUSTRIAL PRECISION CO., LIMITED

WEIGHT	SHEET	REVISION
	1/1	A0

ΔX					
ΔX					
ΔX					
MARK	DESCRIPTION	DATE	REVISED	APPROVED	UNSPECIFIED TOLERANCES

REVISIONS



Specifications:
 规格:
 Voltage rating: 100V AC/DC
 额定电压: 100V AC/DC
 Current rating: 3A AC/DC
 额定电流: 3A AC/DC
 Withstanding voltage: 1000V AC/minute
 耐受电压: 1000V AC/分钟
 Temperature range: -40°C-+85°C
 温度范围: -40°C-+85°C
 Insulation resistance: 1000MΩ min
 绝缘电阻: 1000MΩ Min
 Contact resistance: 20mΩ Max
 接触电阻: 20mΩ Max

K 205001 W V - XX - PT SN
 ① ② ③ ④ ⑤ ⑥ ⑦

- 1.K-XKBTEK-Car Connector
- 2.XKB Series No
- 3.Categoriy:W-Wafer
- 4.Welding Board Angle:V-Straight 180°
- 5.Row No.Pin No:XX-06 Pin
- 6.Material:PT-PBT
- 7.Plating:SN-Tin Plating

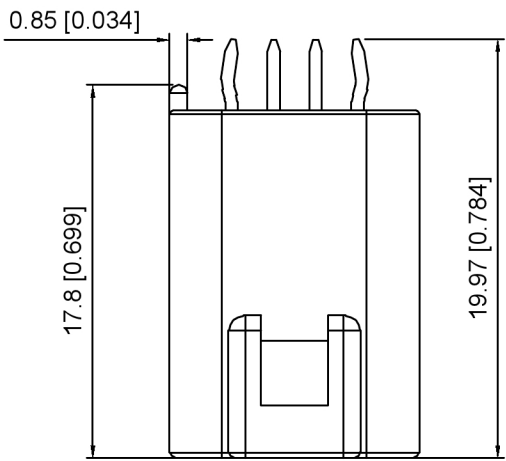
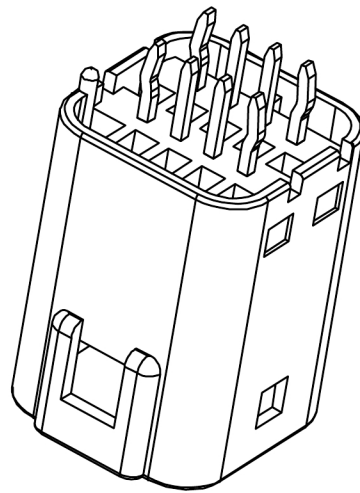
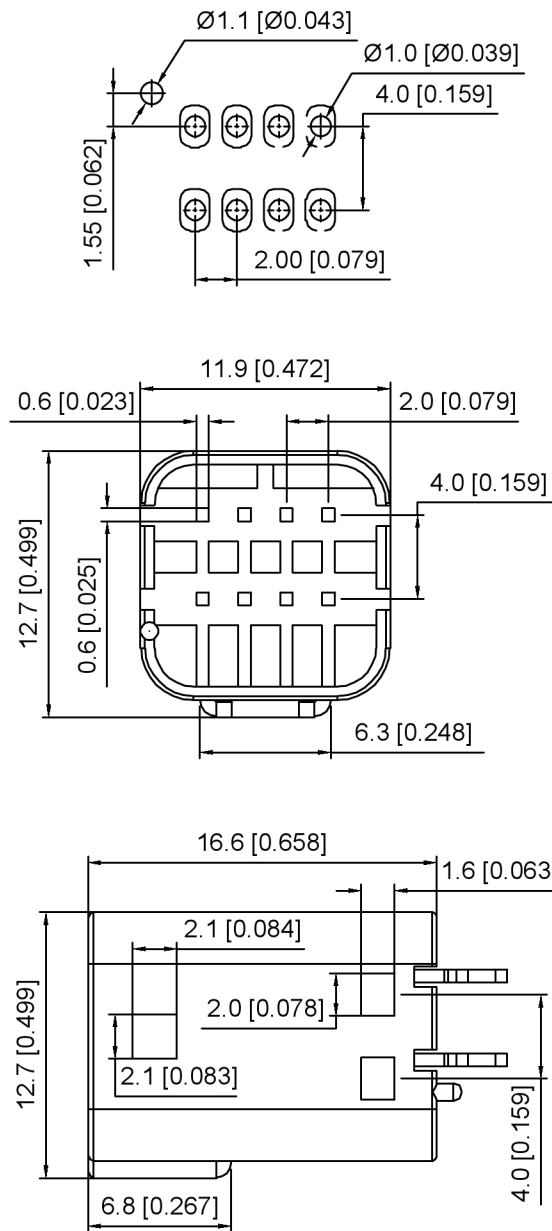
K205001WV-XX-PTSN	PBT	Phosphor Bronze	K205001HM
PART NO	Material	Material(Pin)	Suitable XKB Housing

DSND	SCALE: N/A	MODEL TYPE: 2.0mm automotive connector
DWN	VIEW:	PART NO.: K205001WV-XX-PTSN
CHKD	UNIT: mm/in	DWG NO.: X-K205001WV-XX-PTSN
APPD	SIZE: A4	WEIGHT SHEET REVISION

MARK	DESCRIPTION	DATE	REVISED	APPROVED	UNSPECIFIED TOLERANCES
ΔX					ANGLAR ±5°
ΔX					L ≤ 4 ±0.2
ΔX					4 < L ≤ 16 ±0.3
					16 < L ≤ 63 ±0.4
					L > 63 ±0.5



XKB INDUSTRIAL PRECISION CO., LIMITED



Specifications:
 规格:
 Voltage rating: 100V AC/DC
 额定电压: 100V AC/DC
 Current rating: 3A AC/DC
 额定电流: 3A AC/DC
 Withstanding voltage: 1000V AC/minute
 耐受电压: 1000V AC/分钟
 Temperature range: -40°C-+85°C
 温度范围: -40°C-+85°C
 Insulation resistance: 1000MΩ min
 绝缘电阻: 1000MΩ Min
 Contact resistance: 20mΩ Max
 接触电阻: 20mΩ Max

K 205001 W V - XX - PT SN
 ① ② ③ ④ ⑤ ⑥ ⑦

- 1.K-XKBTEK-Car Connector
- 2.XKB Series No
- 3.Categoiy:W-Wafer
- 4.Welding Board Angle:V-Straight 180°
- 5.Row No.Pin No:XX-08 Pin
- 6.Material:PT-PBT
- 7.Plating:SN-Tin Plating

K205001WV-XX-PTSN	PBT	Phosphor Bronze	K205001HM
PART NO	Material	Material(Pin)	Suitable XKB Housing

DSND	SCALE: N/A	MODEL TYPE: 2.0mm automotive connector
DWN	VIEW:	PART NO.: K205001WV-XX-PTSN
CHKD	UNIT: mm/in	DWG NO.: X-K205001WV-XX-PTSN
APPD	SIZE: A4	WEIGHT SHEET REVISION
		1/1 A0

					ANGLAR	±5°
ΔX					L ≤ 4	±0.2
ΔX					4 < L ≤ 16	±0.3
ΔX					16 < L ≤ 63	±0.4
MARK	DESCRIPTION	DATE	REVISED	APPROVED	L > 63	±0.5
REVISIONS					UNSPECIFIED TOLERANCES	



XKB INDUSTRIAL PRECISION CO., LIMITED

X-ON Electronics

Largest Supplier of Electrical and Electronic Components

Click to view similar products for [Automotive Connectors](#) category:

Click to view products by [XKB](#) manufacturer:

Other Similar products are found below :

[003-018-000](#) [60993906-B](#) [72.330.1035.1](#) [776880-1](#) [827153-1](#) [9-1326729-8](#) [9-221607-5](#) [925474-1](#) [928905-1](#) [964562-4](#) [968782-1](#) [12004468](#)
[12004475-L](#) [12004483](#) [12052466](#) [12066163](#) [12015909](#) [12077753](#) [1-21030-1](#) [12047957](#) [12047958](#) [12084688](#) [12185550](#) [12336-12](#) [1-](#)
[326211-1](#) [13681974](#) [13688972](#) [13755420](#) [13779834](#) [13783086](#) [13843152](#) [13522378](#) [13581967](#) [13669624](#) [13675513](#) [13753471](#) [13946876](#)
[13953457](#) [13955963](#) [13964573](#) [13971791](#) [13790534-L](#) [13797473](#) [13805590](#) [13888202](#) [1428188-1](#) [1437287-3](#) [1428188-2](#) [DS07-19S-5020](#)
[1456983-5](#)