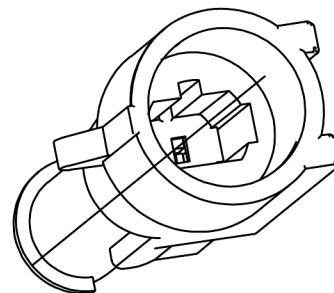
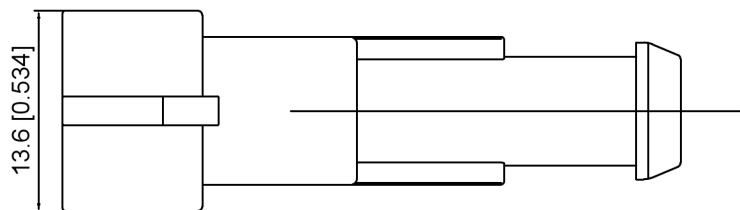
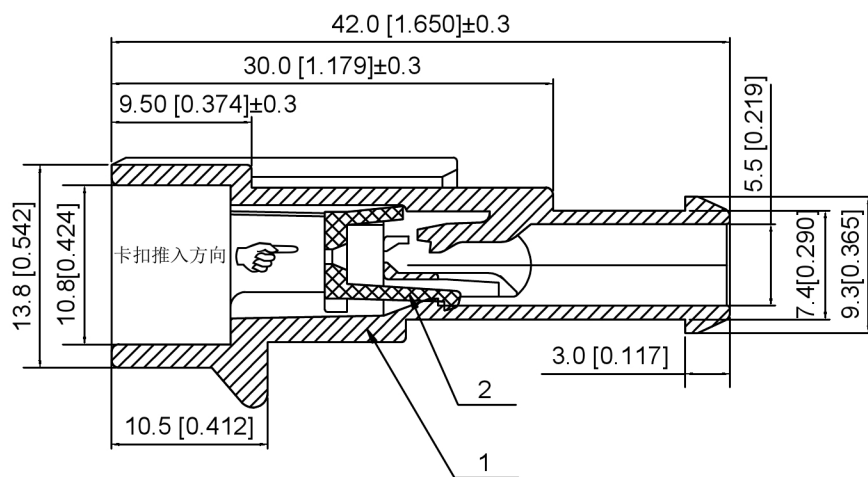


技术说明
 1.表明光洁,无明显缩坑与熔接痕
 2.工作温度: -40℃- +120℃



K 282103 H - 1
 ① ② ③ ④

1.K: XKBTEK-Car Connector
 2.XKB Series No
 3.Category:H-HSG Male
 4.1:type1(1Pin)



K282103H-1	K282079H-1	K282403T-1
		K282110T-1
		K282466T-1
PART NO	Suitable XKB Housing	Suitable XKB Terminal

two	lock catch	K282103H-1B	Red	PA66+GF30
one	main part	K282103H-1A	Black	PA66+GF10
serial number	name	PART NO	Color	Material

广东星坤科技股份有限公司

DSND	SCALE: N/A	MODEL TYPE: 6.0mm Automobile connector
DWN	VIEW:	PART NO.: K282103H-1
CHKD	UNIT: mm/in	DWG NO.: X-K282103H-1
APPD	SIZE: A4	

DATE	REVISED	APPROVED	UNSPECIFIED TOLERANCES
DATE	REVISED	APPROVED	UNSPECIFIED TOLERANCES
DATE	REVISED	APPROVED	UNSPECIFIED TOLERANCES
DATE	REVISED	APPROVED	UNSPECIFIED TOLERANCES

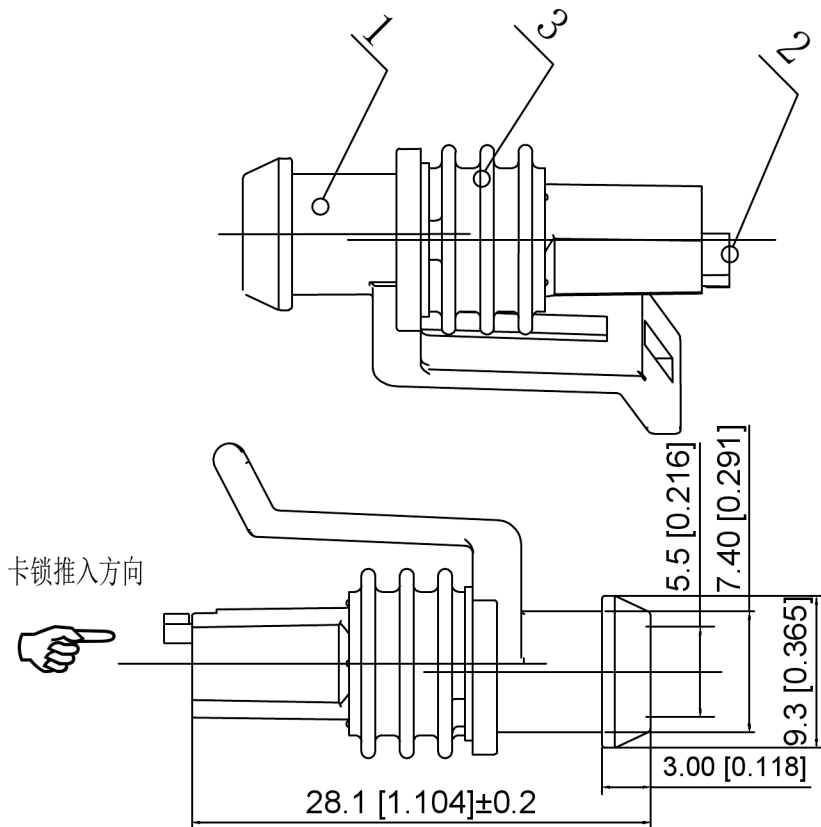


XKB INDUSTRIAL PRECISION CO., LIMITED

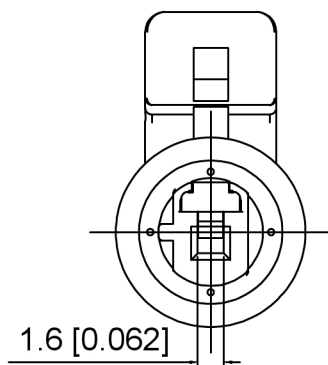
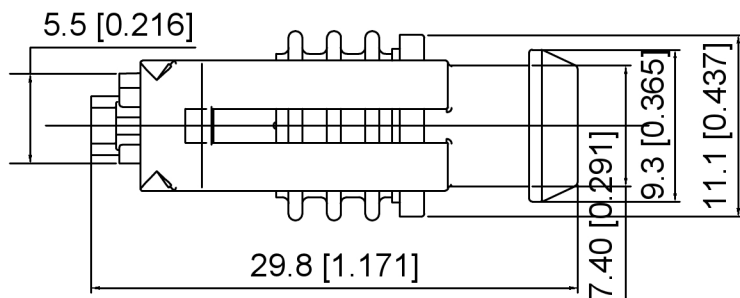
REVISIONS	WEIGHT	SHEET	REVISION
REVISIONS	WEIGHT	SHEET	REVISION
REVISIONS	WEIGHT	SHEET	REVISION
REVISIONS	WEIGHT	SHEET	REVISION

www.helloxkb.com www.helloxkb.cn www.xk-dg.cn

文件工程章



卡锁推入方向



技术说明

- 1.表明光洁，无明显缩坑与熔接痕
- 2.工作温度：-40℃- +120℃

K 282079 H - 1
 ① ② ③ ④

- 1.K: XKBTEK-Car Connector
- 2.XKB Series No
- 3.Category:H-HSG Female
- 4.1:type1(1Pin)

K282079H-1	K282103H-1	K282404T-1
		K282109T-1
		K282465T-1
PART NO	Suitable XKB Housing	Suitable XKB Terminal

three	O-Ring	K282079H-1C	Yellow	silica gel
two	lock catch	K282079H-1B	Red	PA66+GF30
one	main part	K282079H-1A	Black	PA66
serial number	name	PART NO	Color	Material

广东星坤科技股份有限公司

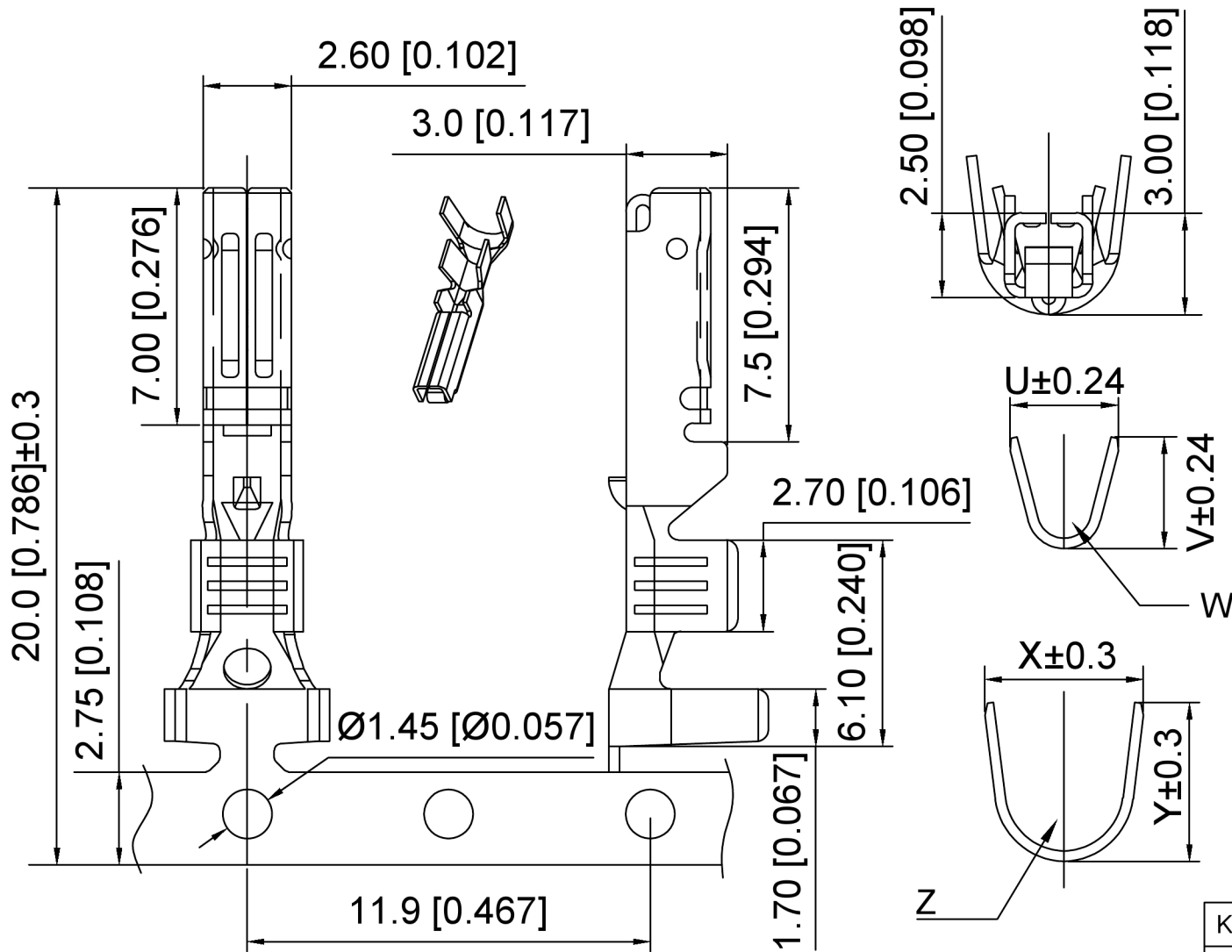
Δx		日期
Δx		
Δx		
MARK		

文件工程章

						ANGLAR	±5°
						L ≤ 4	±0.2
						4 < L ≤ 16	±0.3
						16 < L ≤ 63	±0.4
						L > 63	±0.5
							UNSPECIFIED TOLERANCES



DSND		SCALE: N/A	MODEL TYPE: 6.0mm Automobile connector		
DWN		VIEW:	PART NO.: K282079H-1		
CHKD		UNIT: mm/in	DWG NO.: X-K282079H-1		
APPD		SIZE: A4	WEIGHT	SHEET	REVISION
XKB INDUSTRIAL PRECISION CO., LIMITED			1/1	A0	



技术说明

- 1.表明光洁, 无明显缩坑与熔接痕
- 2.工作温度: -40°C- +120°C

K 282110 T - 1
 ① ② ③ ④

- 1.K: XKBTEK-Car Connector
- 2.XKB Series No
- 3.Category:T-Terminal Female
- 4.1:type1

K282110T-1	AWG#18-15	3.05	3.3	1.2	4.6	4.8	1.8
K282403T-1	AWG#22-20	2.5	2.3	0.6	4.8	4.7	1.8
K282466T-1	AWG#15-13	3.6	3.8	1.2	4.8	4.7	1.8
PART NO	Wire Range	U	V	W	X	Y	Z

K282110T-1	phosphor copper	Tin	K282103H / K282104H
K282403T-1			K282105H / K282106H
K282466T-1			K282107H / K282108H
PART NO	Material	Plating	Suitable XKB Housing

广东星坤科技股份有限公司

Δx	日期					ANGLAR	±5°
Δx	日期					L ≤ 4	±0.2
Δx	日期					4 < L ≤ 16	±0.3
MARK	DESCRIPTION	DATE	REVISED	APPROVED		16 < L ≤ 63	±0.4
文件工程章	REVISIONS					L > 63	±0.5
						UNSPECIFIED TOLERANCES	



DSND	SCALE: N/A	MODEL TYPE: 6.0mm Automobile connector
DWN	VIEW:	PART NO.: K282110T-1
CHKD	UNIT: mm/in	DWG NO.: X-K282110T-1
APPD	SIZE: A4	WEIGHT
		SHEET
		REVISION
		1/1
		A0

XKB INDUSTRIAL PRECISION CO., LIMITED

X-ON Electronics

Largest Supplier of Electrical and Electronic Components

Click to view similar products for [Automotive Connectors](#) category:

Click to view products by [XKB](#) manufacturer:

Other Similar products are found below :

[003-018-000](#) [60993906-B](#) [M902-2131](#) [M902-2161](#) [M902-2344](#) [72.330.1035.1](#) [73.353.4028.0](#) [F166900](#) [F358300-B](#) [F407400](#) [776880-1](#)
[827153-1](#) [8N1515-32-24P](#) [9-1326729-8](#) [925474-1](#) [928905-1](#) [964562-4](#) [968782-1](#) [98891-1012](#) [12004475-L](#) [12020308](#) [12041318-B](#)
[12052466](#) [12059716](#) [12064869](#) [12015909](#) [1-21030-1](#) [12041254](#) [12041318](#) [12047946-B](#) [12110546-B](#) [12131792](#) [12084688](#) [12092346](#)
[HD34-18-14PT](#) [HD46-24-23SN-059](#) [HDB36-24-16PN-059](#) [HDP26-24-9SE-L015](#) [12185280](#) [12185550](#) [12336-12](#) [12191172-B](#) [12S](#)
[13545280](#) [13577943](#) [13681974](#) [13737722-B](#) [13830674](#) [13832576](#) [13849772](#)