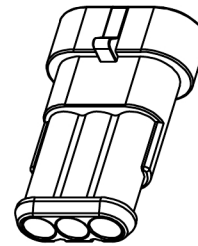
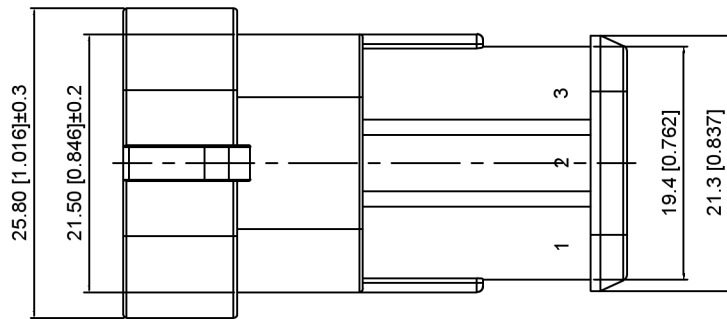


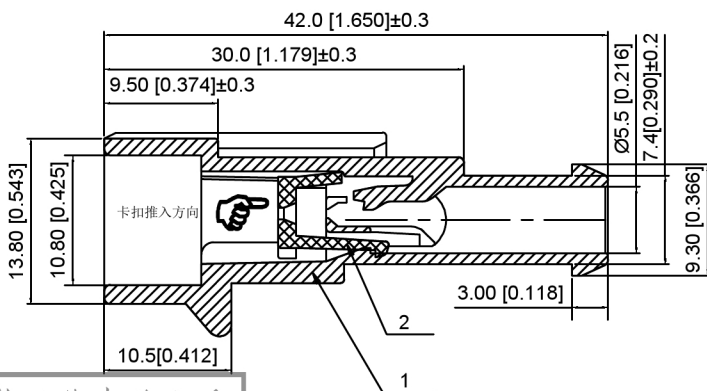
技术说明

- 1.表明光洁, 无明显缩坑与熔接痕
- 2.工作温度: -40°C- +120°C



K 282105 H - 1  
 ① ② ③ ④

- 1.K: XKBTEK-Car Connector
- 2.XKB Series No
- 3.Category:H-HSG Male
- 4.1:type1(3Pin)



K282105H-1	K282087H-1	K282403T-1
		K282110T-1
		K282466T-1
PART NO	Suitable XKB Housing	Suitable XKB Terminal

two	main part	K282105H-1B	Black	PA66+GF30
one	main part	K282105H-1A	Black	PA66+GF10
serial number	name	PART NO	Color	Material

广东星坤科技股份有限公司

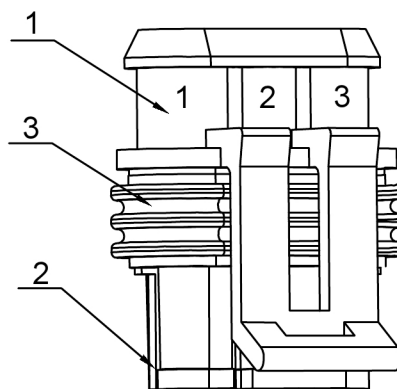
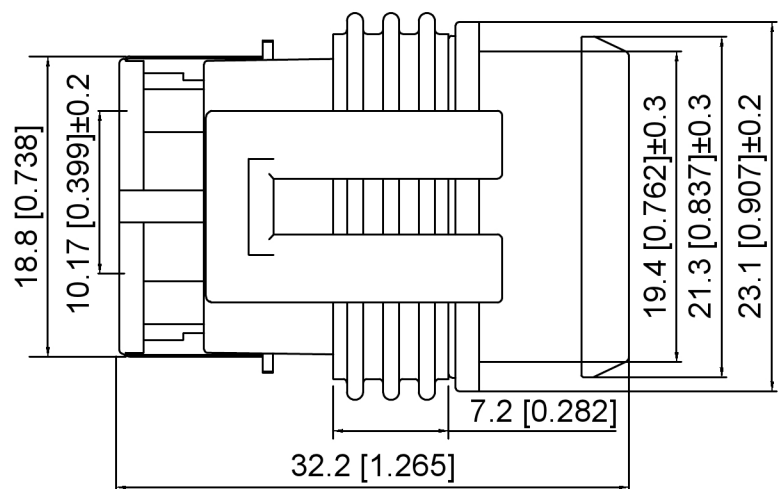
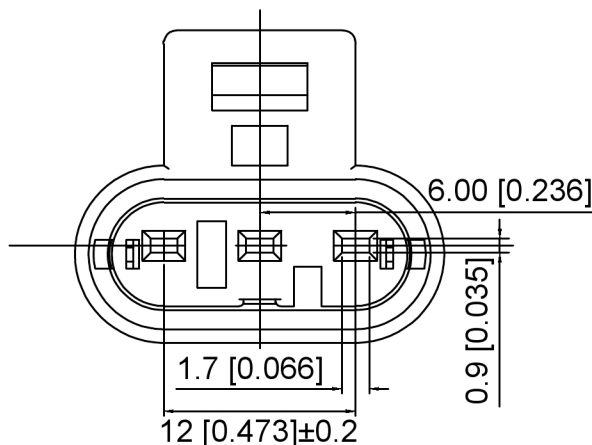
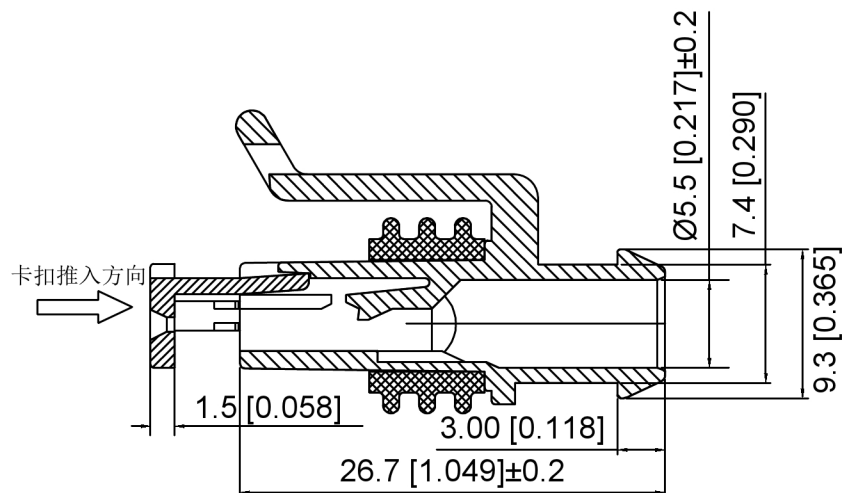
ΔX		日期
ΔX		
ΔX		
MARK		

文件工程章

DESCRIPTION	DATE	REVISED	APPROVED	UNSPECIFIED TOLERANCES
				ANGULAR ±5°
				L ≤ 4 ±0.2
				4 < L ≤ 16 ±0.3
				16 < L ≤ 63 ±0.4
				L > 63 ±0.5

DSND	SCALE: N/A	MODEL TYPE: 6.0mm Automobile connector
DWN	VIEW:	PART NO.: K282105H-1
CHKD	UNIT: mm/in	DWG NO.: X-K282105H-1
APPD	SIZE: A4	WEIGHT SHEET REVISION 1/1 A0
XKB INDUSTRIAL PRECISION CO., LIMITED		





技术说明

- 1.表明光洁, 无明显缩坑与熔接痕
- 2.工作温度: -40°C- +120°C

**K 282087 H - 1**  
 ① ② ③ ④

- 1.K: XKBTEK-Car Connector
- 2.XKB Series No
- 3.Category:H-HSG Female
- 4.1:type1(3Pin)

K282087H-1	K282105H-1	K282404T-1
		K282109T-1
		K282465T-1
PART NO	Suitable XKB Housing	Suitable XKB Terminal

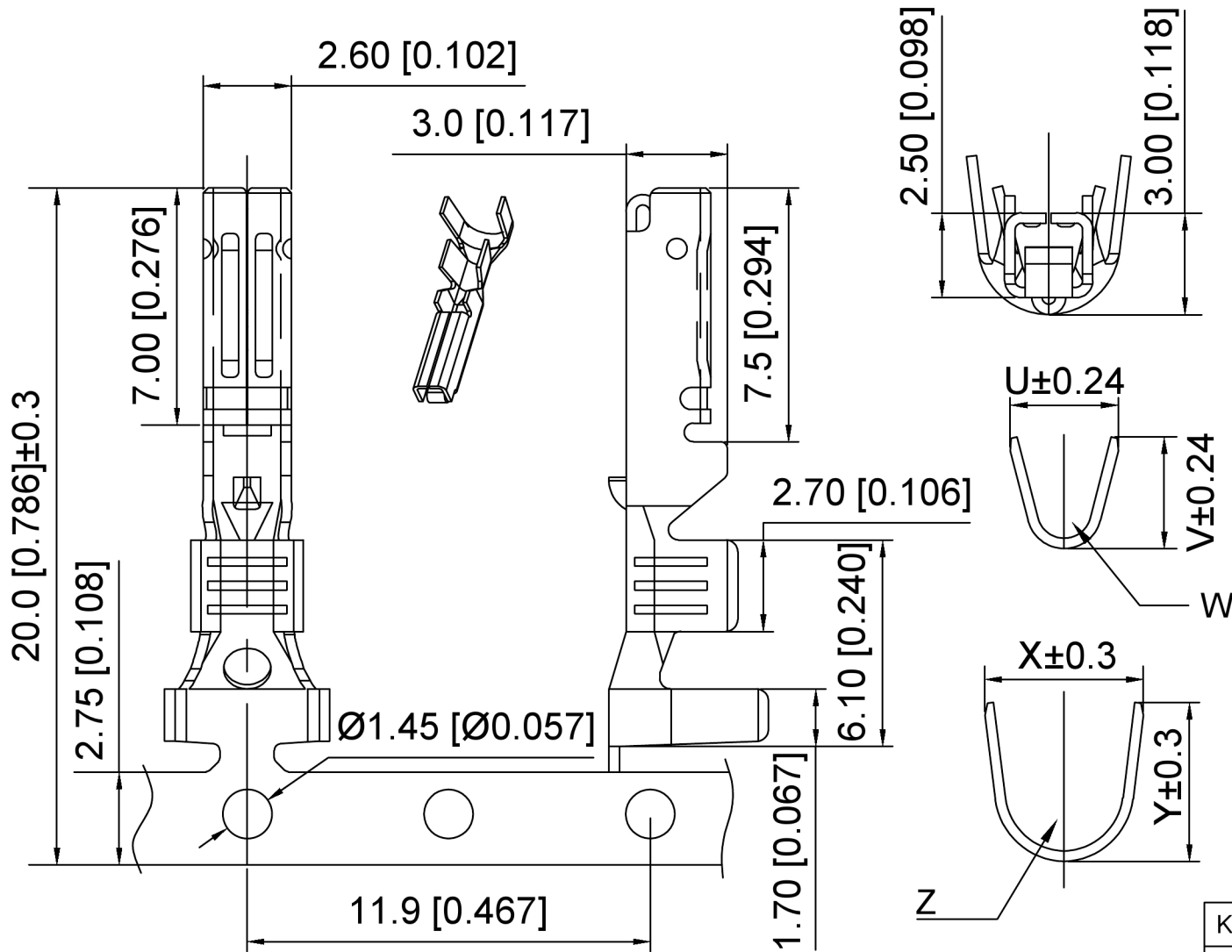
three	O-Ring	K282087H-1C	Yellow	MQV
two	lock catch	K282087H-1B	Red	PA66+GF30
one	main part	K282087H-1A	Black	PA66
serial number	name	PART NO	Color	Material

广东星坤科技股份有限公司

文件工程章

MARK	DESCRIPTION	DATE	REVISED	APPROVED	UNSPECIFIED TOLERANCES
ΔX					ANGULAR ±5°
ΔX					L ≤ 4 ±0.2
ΔX					4 < L ≤ 16 ±0.3
					16 < L ≤ 63 ±0.4
					L > 63 ±0.5

DSND		SCALE: N/A	MODEL TYPE: 6.0mm Automobile connector	
DWN		VIEW:	PART NO.: K282087H-1	
CHKD		UNIT: mm/in	DWG NO.: X-K282087H-1	
APPD		SIZE: A4	WEIGHT	SHEET REVISION
XKB INDUSTRIAL PRECISION CO., LIMITED			1/1	A0



技术说明

- 1.表明光洁, 无明显缩坑与熔接痕
- 2.工作温度: -40°C - +120°C

K 282110 T - 1  
 ① ② ③ ④

- 1.K: XKBTEK-Car Connector
- 2.XKB Series No
- 3.Category:T-Terminal Female
- 4.1:type1

K282110T-1	AWG#18-15	3.05	3.3	1.2	4.6	4.8	1.8
K282403T-1	AWG#22-20	2.5	2.3	0.6	4.8	4.7	1.8
K282466T-1	AWG#15-13	3.6	3.8	1.2	4.8	4.7	1.8
PART NO	Wire Range	U	V	W	X	Y	Z

K282110T-1	phosphor copper	Tin	K282103H / K282104H
K282403T-1			K282105H / K282106H
K282466T-1			K282107H / K282108H
PART NO	Material	Plating	Suitable XKB Housing

广东星坤科技股份有限公司

MARK	DESCRIPTION	DATE	REVISED	APPROVED	UNSPECIFIED TOLERANCES
Δx	日期				ANGLAR ±5°
Δx					L ≤ 4 ±0.2
Δx					4 < L ≤ 16 ±0.3
					16 < L ≤ 63 ±0.4
					L > 63 ±0.5



DSND	SCALE: N/A	MODEL TYPE: 6.0mm Automobile connector
DWN	VIEW:	PART NO.: K282110T-1
CHKD	UNIT: mm/in	DWG NO.: X-K282110T-1
APPD	SIZE: A4	WEIGHT SHEET REVISION
		1/1 A0

XKB INDUSTRIAL PRECISION CO., LIMITED

## X-ON Electronics

Largest Supplier of Electrical and Electronic Components

*Click to view similar products for [Automotive Connectors](#) category:*

*Click to view products by [XKB](#) manufacturer:*

Other Similar products are found below :

[003-018-000](#) [60993906-B](#) [M902-2131](#) [M902-2161](#) [M902-2344](#) [72.330.1035.1](#) [73.353.4028.0](#) [F166900](#) [F358300-B](#) [F407400](#) [776880-1](#)  
[827153-1](#) [8N1515-32-24P](#) [9-1326729-8](#) [925474-1](#) [928905-1](#) [964562-4](#) [968782-1](#) [98891-1012](#) [12004475-L](#) [12020308](#) [12041318-B](#)  
[12052466](#) [12059716](#) [12064869](#) [12015909](#) [1-21030-1](#) [12041254](#) [12041318](#) [12047946-B](#) [12110546-B](#) [12131792](#) [12084688](#) [12092346](#)  
[HD34-18-14PT](#) [HD46-24-23SN-059](#) [HDB36-24-16PN-059](#) [HDP26-24-9SE-L015](#) [12185280](#) [12185550](#) [12336-12](#) [12191172-B](#) [12S](#)  
[13545280](#) [13577943](#) [13681974](#) [13737722-B](#) [13830674](#) [13832576](#) [13849772](#)