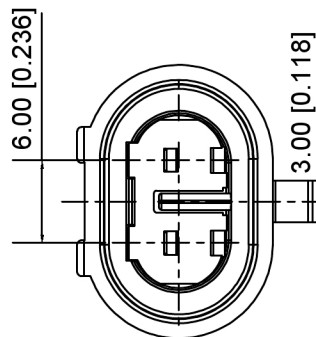
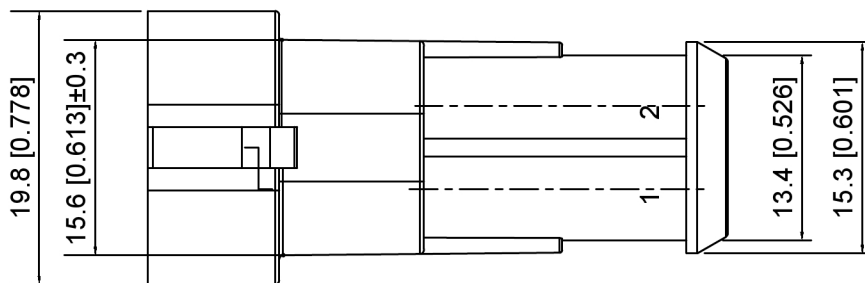


技术说明

- 1.表明光洁，无明显缩坑与熔接痕
- 2.工作温度：-40℃- +120℃

K 282104 H - 1
 ① ② ③ ④

- 1.K: XKBTEK-Car Connector
- 2.XKB Series No
- 3.Cateryory:H-HSG Male
- 4.1:type1(2Pin)



| | | |
|------------|----------------------|-----------------------|
| K282104H-1 | K282080H-1 | K282403T-1 |
| | | K282110T-1 |
| | | K282466T-1 |
| PART NO | Suitable XKB Housing | Suitable XKB Terminal |

| | | | | |
|---------------|------------|-------------|-------|-----------|
| two | lock catch | K282104H-1B | Red | PA66+GF30 |
| one | main part | K282104H-1A | Black | PA66+GF10 |
| serial number | name | PART NO | Color | Material |

广东星坤科技股份有限公司

| | |
|----|----|
| Δ* | 日期 |
| Δ* | 日期 |
| Δ* | 日期 |

文件工程章

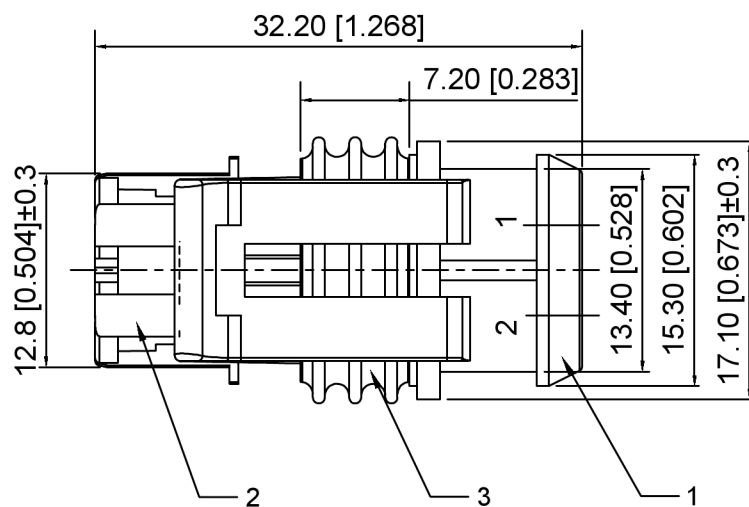
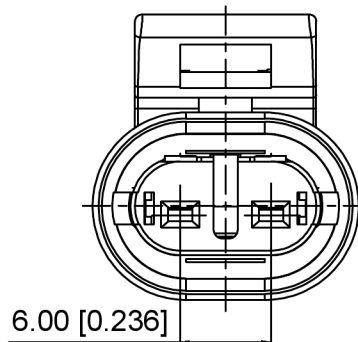
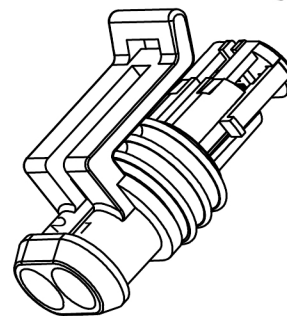
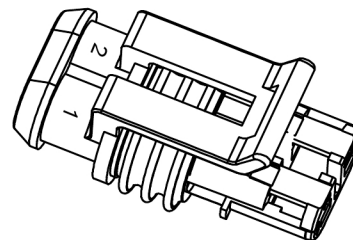
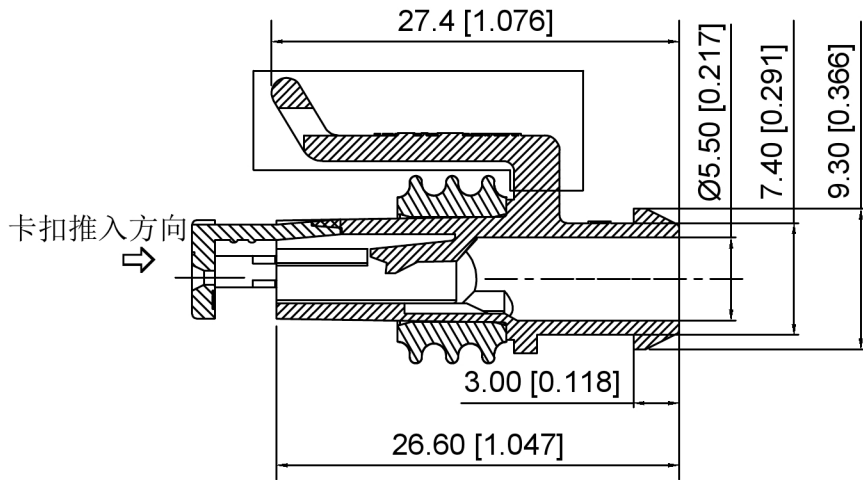
| MARK | DESCRIPTION | DATE | REVISED | APPROVED |
|------|-------------|------|---------|----------|
| | REVISIONS | | | |

| | |
|------------------------|------|
| ANGULAR | ±5° |
| L ≤ 4 | ±0.2 |
| 4 < L ≤ 16 | ±0.3 |
| 16 < L ≤ 63 | ±0.4 |
| L > 63 | ±0.5 |
| UNSPECIFIED TOLERANCES | |

XKLB

XKB INDUSTRIAL PRECISION CO., LIMITED

| | | |
|------|-------------|---|
| DSND | SCALE: N/A | MODEL TYPE: 6.0mm Automobile connector |
| DWN | VIEW: | PART NO.: K282104H-1 |
| CHKD | UNIT: mm/in | DWG NO.: X-K282104H-1 |
| APPD | SIZE: A4 | WEIGHT |
| | | SHEET |
| | | REVISION |
| | | 1/1 |
| | | A0 |



技术说明

- 1.表明光洁，无明显缩坑与熔接痕
- 2.工作温度：-40℃- +120℃

K 282080 H - 1
 ① ② ③ ④

- 1.K: XKBTEK-Car Connector
- 2.XKB Series No
- 3.Cateryory:H-HSG Female
- 4.1:type1(2Pin)

| | | |
|------------|----------------------|-----------------------|
| K282080H-1 | K282104H-1 | K282404T-1 |
| | | K282109T-1 |
| | | K282465T-1 |
| PART NO | Suitable XKB Housing | Suitable XKB Terminal |

| | | | | |
|---------------|------------|-------------|--------|-----------|
| three | O-Ring | K282080H-1C | Yellow | MQV |
| two | lock catch | K282080H-1B | Red | PA66+GF30 |
| one | main part | K282080H-1A | Black | PA66 |
| serial number | name | PART NO | Color | Material |

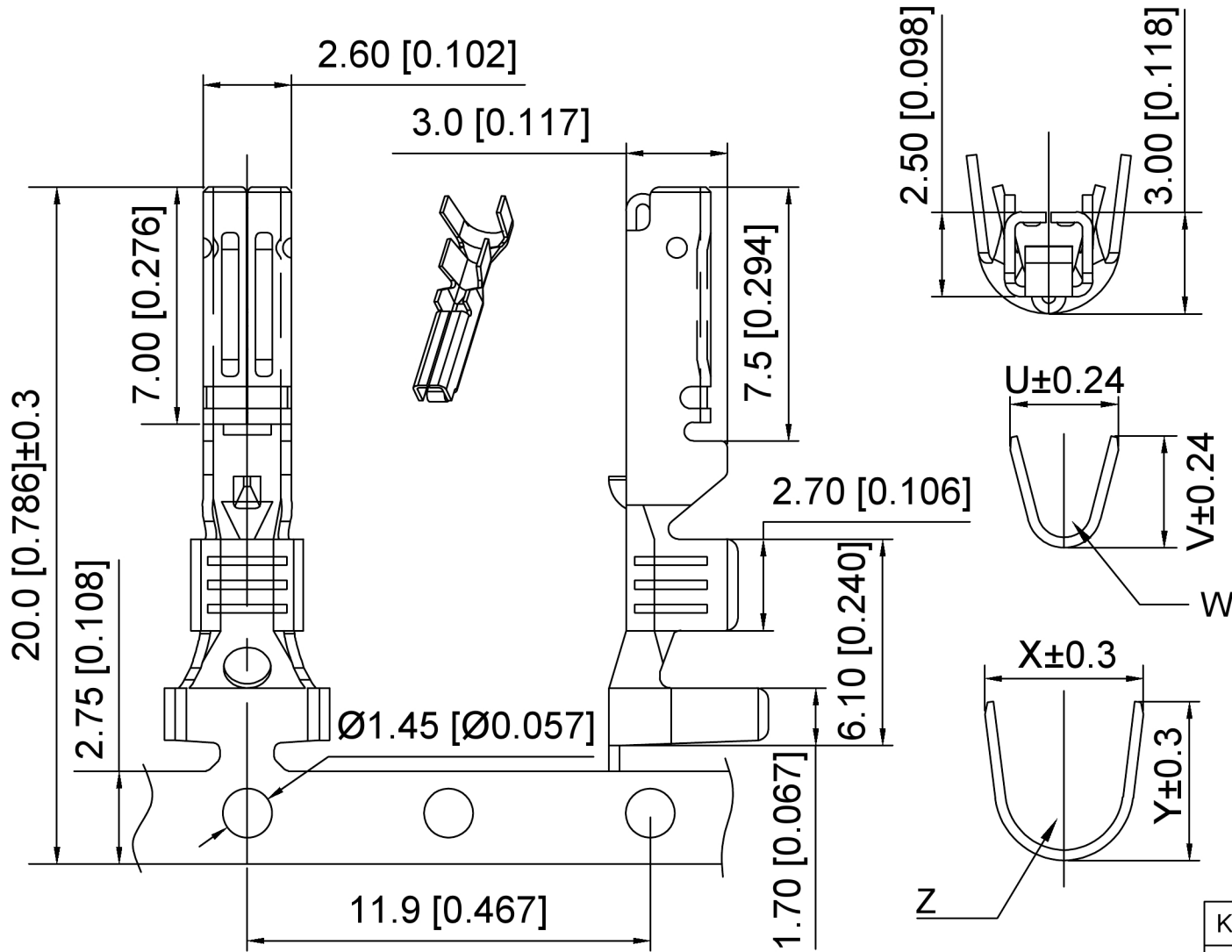
广东星坤科技股份有限公司

| | | |
|------|--|--|
| Δx | | |
| Δx | | |
| Δx | | |
| MARK | | |

文件工程章

| REVISIONS | DATE | REVISED | APPROVED | DESCRIPTION |
|-----------|------|---------|----------|-------------|
| | | | | |
| | | | | |
| | | | | |
| | | | | |

| | | | |
|--------------------------------------|--|-------------|---|
| DSND | | SCALE: N/A | MODEL TYPE: 6.0mm Automobile connector |
| DWN | | VIEW: | PART NO.: K282080H-1 |
| CHKD | | UNIT: mm/in | DWG NO.: X-K282080H-1 |
| APPD | | SIZE: A4 | WEIGHT |
| XKB INDUSTRIAL PRECISION CO.,LIMITED | | | SHEET |
| | | | REVISION |
| | | | 1/1 |
| | | | A0 |



技术说明

- 1.表明光洁，无明显缩坑与熔接痕
- 2.工作温度：-40℃- +120℃

K 282110 T - 1
 ① ② ③ ④

- 1.K: XKBTEK-Car Connector
- 2.XKB Series No
- 3.Catery: T-Terminal Female
- 4.1:type1

| | | | | | | | |
|------------|------------|------|-----|-----|-----|-----|-----|
| K282110T-1 | AWG#18-15 | 3.05 | 3.3 | 1.2 | 4.6 | 4.8 | 1.8 |
| K282403T-1 | AWG#22-20 | 2.5 | 2.3 | 0.6 | 4.8 | 4.7 | 1.8 |
| K282466T-1 | AWG#15-13 | 3.6 | 3.8 | 1.2 | 4.8 | 4.7 | 1.8 |
| PART NO | Wire Range | U | V | W | X | Y | Z |

| | | | |
|------------|-----------------|---------|----------------------|
| K282110T-1 | phosphor copper | Tin | K282103H / K282104H |
| K282403T-1 | | | K282105H / K282106H |
| K282466T-1 | | | K282107H / K282108H |
| PART NO | Material | Plating | Suitable XKB Housing |

广东星坤科技股份有限公司

| | | | | | | | |
|-------|-------------|------|---------|----------|--|------------------------|------|
| Δx | 日期 | | | | | ANGLAR | ±5° |
| Δx | 日期 | | | | | L ≤ 4 | ±0.2 |
| Δx | 日期 | | | | | 4 < L ≤ 16 | ±0.3 |
| MARK | DESCRIPTION | DATE | REVISED | APPROVED | | 16 < L ≤ 63 | ±0.4 |
| 文件工程章 | REVISIONS | | | | | L > 63 | ±0.5 |
| | | | | | | UNSPECIFIED TOLERANCES | |



| | | |
|------|-------------|---|
| DSND | SCALE: N/A | MODEL TYPE: 6.0mm Automobile connector |
| DWN | VIEW: | PART NO.: K282110T-1 |
| CHKD | UNIT: mm/in | DWG NO.: X-K282110T-1 |
| APPD | SIZE: A4 | WEIGHT |
| | | SHEET |
| | | REVISION |
| | | 1/1 |
| | | A0 |

XKB INDUSTRIAL PRECISION CO., LIMITED

X-ON Electronics

Largest Supplier of Electrical and Electronic Components

Click to view similar products for [Automotive Connectors](#) category:

Click to view products by [XKB](#) manufacturer:

Other Similar products are found below :

[003-018-000](#) [60993906-B](#) [M902-2131](#) [M902-2161](#) [M902-2344](#) [72.330.1035.1](#) [73.353.4028.0](#) [F166900](#) [F358300-B](#) [F407400](#) [776880-1](#)
[827153-1](#) [8N1515-32-24P](#) [9-1326729-8](#) [925474-1](#) [928905-1](#) [964562-4](#) [968782-1](#) [98891-1012](#) [12004475-L](#) [12020308](#) [12041318-B](#)
[12052466](#) [12059716](#) [12064869](#) [12015909](#) [1-21030-1](#) [12041254](#) [12041318](#) [12047946-B](#) [12110546-B](#) [12131792](#) [12084688](#) [12092346](#)
[HD34-18-14PT](#) [HD46-24-23SN-059](#) [HDB36-24-16PN-059](#) [HDP26-24-9SE-L015](#) [12185280](#) [12185550](#) [12336-12](#) [12191172-B](#) [12S](#)
[13545280](#) [13577943](#) [13681974](#) [13737722-B](#) [13830674](#) [13832576](#) [13849772](#)