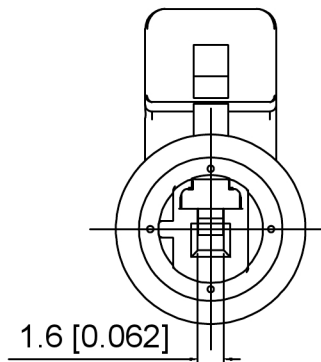
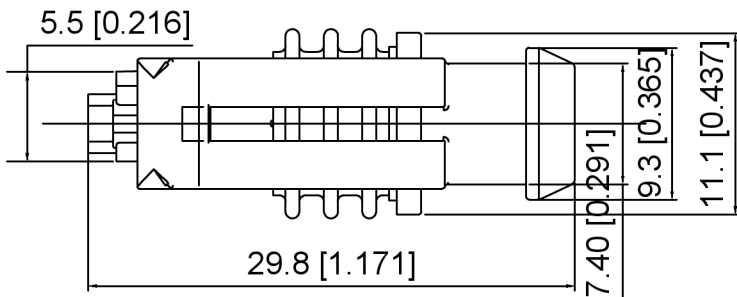
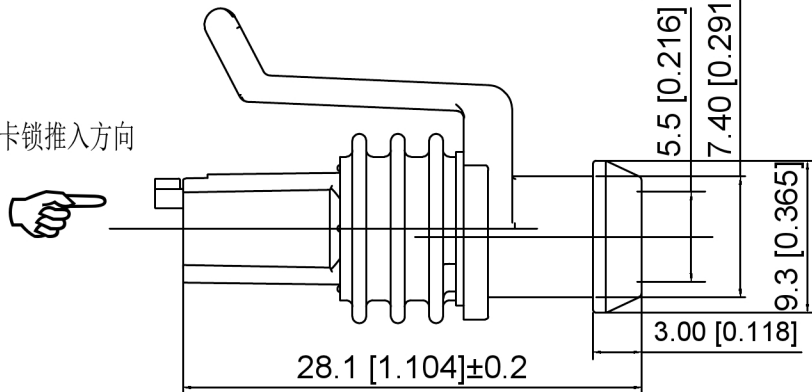


卡锁推入方向



技术说明

- 1.表明光洁，无明显缩坑与熔接痕
- 2.工作温度：-40℃- +120℃

K 282079 H - 1
 ① ② ③ ④

- 1.K: XKBTEK-Car Connector
- 2.XKB Series No
- 3.Category:H-HSG Female
- 4.1:type1(1Pin)

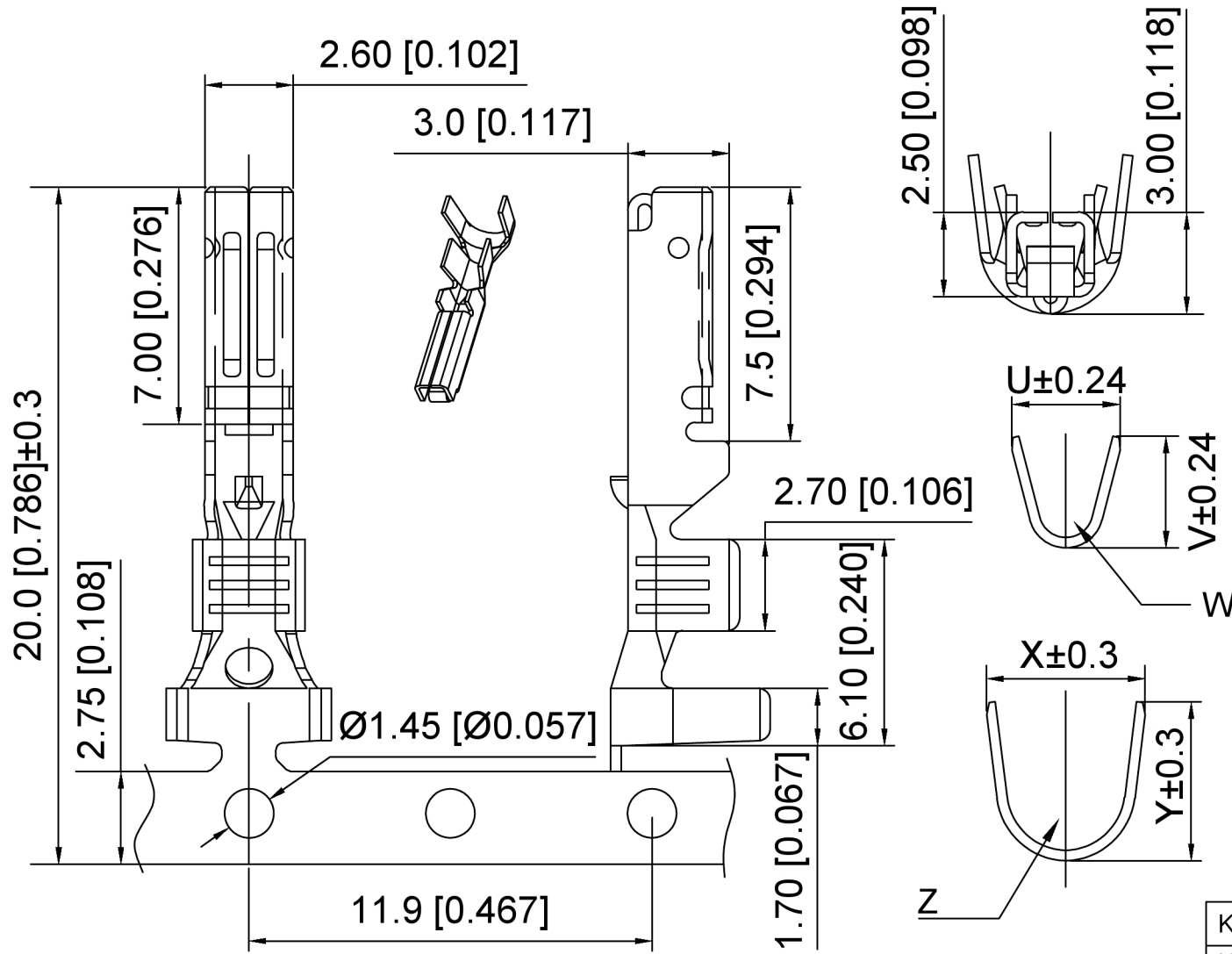
K282079H-1	K282103H-1	K282404T-1
		K282109T-1
		K282465T-1
PART NO	Suitable XKB Housing	Suitable XKB Terminal

three	O-Ring	K282079H-1C	Yellow	silica gel
two	lock catch	K282079H-1B	Red	PA66+GF30
one	main part	K282079H-1A	Black	PA66
serial number	name	PART NO	Color	Material

广东星坤科技股份有限公司
 文件工程章

REVISIONS	DATE	REVISED	APPROVED	DESCRIPTION
ANGLAR				±5°
L ≤ 4				±0.2
4 < L ≤ 16				±0.3
16 < L ≤ 63				±0.4
L > 63				±0.5
UNSPECIFIED TOLERANCES				

DSND	SCALE: N/A	MODEL TYPE: 6.0mm Automobile connector
DWN	VIEW:	PART NO.: K282079H-1
CHKD	UNIT: mm/in	DWG NO.: X-K282079H-1
APPD	SIZE: A4	WEIGHT
XKB INDUSTRIAL PRECISION CO., LIMITED		SHEET
		REVISION
		1/1
		A0



技术说明
 1.表明光洁, 无明显缩坑与熔接痕
 2.工作温度: -40°C- +120°C

K 282110 T - 1
 ① ② ③ ④

1.K: XKBTEK-Car Connector
 2.XKB Series No
 3.Catery: T-Terminal Female
 4.1:type1

K282110T-1	AWG#18-15	3.05	3.3	1.2	4.6	4.8	1.8
K282403T-1	AWG#22-20	2.5	2.3	0.6	4.8	4.7	1.8
K282466T-1	AWG#15-13	3.6	3.8	1.2	4.8	4.7	1.8
PART NO	Wire Range	U	V	W	X	Y	Z

K282110T-1	phosphor copper	Tin	K282103H / K282104H
K282403T-1			K282105H / K282106H
K282466T-1			K282107H / K282108H
PART NO	Material	Plating	Suitable XKB Housing

广东星坤科技股份有限公司

Δx	日期					ANGLAR	±5°
Δx						L ≤ 4	±0.2
Δx						4 < L ≤ 16	±0.3
MARK	DESCRIPTION	DATE	REVISED	APPROVED		16 < L ≤ 63	±0.4
文件工程章	REVISIONS					L > 63	±0.5
						UNSPECIFIED TOLERANCES	



DSND	SCALE: N/A	MODEL TYPE: 6.0mm Automobile connector
DWN	VIEW:	PART NO.: K282110T-1
CHKD	UNIT: mm/in	DWG NO.: X-K282110T-1
APPD	SIZE: A4	WEIGHT
		SHEET
		REVISION
		1/1
		A0

XKB INDUSTRIAL PRECISION CO., LIMITED

X-ON Electronics

Largest Supplier of Electrical and Electronic Components

Click to view similar products for [Automotive Connectors](#) category:

Click to view products by [XKB](#) manufacturer:

Other Similar products are found below :

[003-018-000](#) [60993906-B](#) [M902-2131](#) [M902-2161](#) [M902-2344](#) [72.330.1035.1](#) [73.353.4028.0](#) [F166900](#) [F358300-B](#) [F407400](#) [776880-1](#)
[827153-1](#) [8N1515-32-24P](#) [9-1326729-8](#) [925474-1](#) [928905-1](#) [964562-4](#) [968782-1](#) [98891-1012](#) [12004475-L](#) [12020308](#) [12041318-B](#)
[12052466](#) [12059716](#) [12064869](#) [12015909](#) [1-21030-1](#) [12041254](#) [12041318](#) [12047946-B](#) [12110546-B](#) [12131792](#) [12084688](#) [12092346](#)
[HD34-18-14PT](#) [HD46-24-23SN-059](#) [HDB36-24-16PN-059](#) [HDP26-24-9SE-L015](#) [12185280](#) [12185550](#) [12336-12](#) [12191172-B](#) [12S](#)
[13545280](#) [13577943](#) [13681974](#) [13737722-B](#) [13830674](#) [13832576](#) [13849772](#)