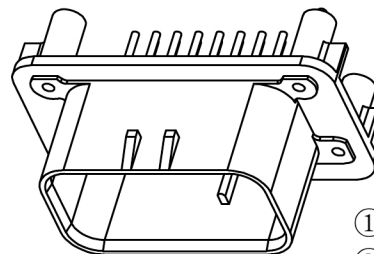
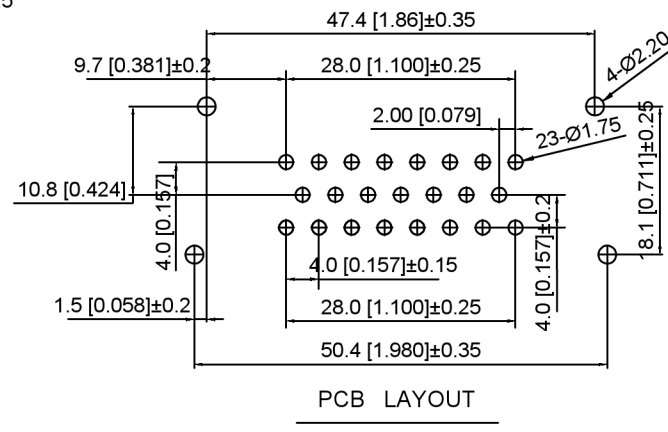


with flange seal

Technical Features:

- 1.No. of Positions:23P
- 2.The Mating Female Housing
- 3.Current Rating:8A
- 4.Temperature Range :-40 °C to 125 °C
- 5.Fully sealed and submersible IP67 rating



K 776228 W V - X
① ② ③ ④ ⑤

- ①K :XKBTEK-Car Connector
- ②XKB Series NO.
- ③Category:W-WAFER
- ④Welding Board Angle:V-Stringht 180°
- ⑤X:Color

| | | |
|----|----|--------------|
| 金 | 蓝色 | K1776228WV-5 |
| 金 | 灰色 | K1776228WV-4 |
| 金 | 白色 | K1776228WV-2 |
| 金 | 黑色 | K1776228WV-1 |
| 锡 | 蓝色 | K776228WV-5 |
| 锡 | 灰色 | K776228WV-4 |
| 锡 | 白色 | K776228WV-2 |
| 锡 | 黑色 | K776228WV-1 |
| 电镀 | 颜色 | 型号 |

| | | | | |
|-------------|----------|-------|----------|----------------------|
| K776228WV-X | PBT | BLACK | BRASS | K770680H |
| PART NUMBER | MATERIAL | COLOR | MATERIAL | Suitable XKB Housing |
| | HOUSING | | CONTACT | |

广东星坤科技股份有限公司

| | |
|------|-------------|
| Δx | 日期 |
| Δx | 日期 |
| Δx | 日期 |
| MARK | DESCRIPTION |

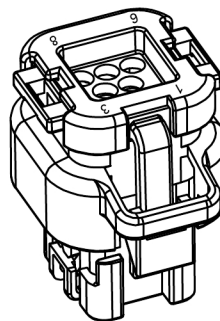
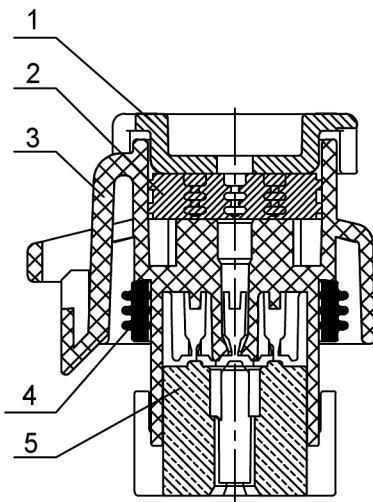
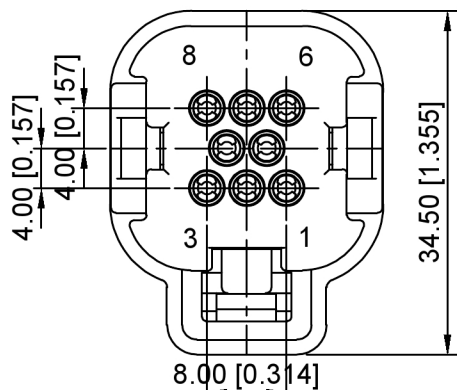
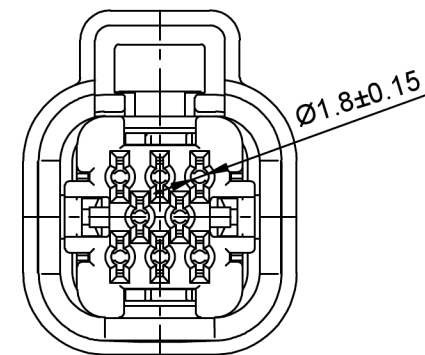
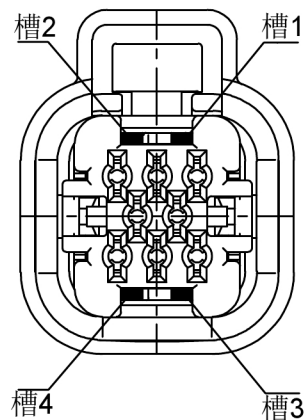
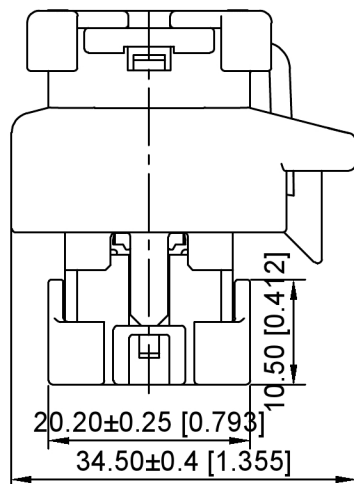
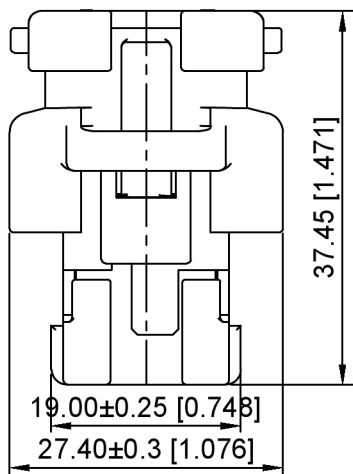
文件工程章

| | | | | | | |
|--|--|--|--|--|------------------------|------|
| | | | | | ANGULAR | ±5° |
| | | | | | L ≤ 4 | ±0.2 |
| | | | | | 4 < L ≤ 16 | ±0.3 |
| | | | | | 16 < L ≤ 63 | ±0.4 |
| | | | | | L > 63 | ±0.5 |
| | | | | | UNSPECIFIED TOLERANCES | |



| | | |
|------|-------------|------------------------|
| DSND | SCALE: N/A | MODEL TYPE: |
| DWN | VIEW: | PART NO.: K776228WV-X |
| CHKD | UNIT: mm/in | DWG NO.: X-K776228WV-X |
| APPD | SIZE: A4 | |
| | | WEIGHT |
| | | SHEET |
| | | REVISION |
| | | 1/1 |
| | | A0 |

XKIB INDUSTRIAL PRECISION CO., LIMITED



K 776286 H - X

① ② ③ ④

- ①K :XKBTEK-Car Connector
- ②XKB Series NO.
- ③Catergory:H-HSG(8Pin)
- ④X:X-1(Black);X-2(White)

| | | | | |
|------------|-------|--------------------|--------------------|-----------------------|
| K776286H-1 | Black | K776276WV | K776280WR | K770520T |
| K776286H-2 | White | | | |
| PART NO | Color | Suitable XKB Wafer | Suitable XKB Wafer | Suitable XKB Terminal |

| | | | | | | |
|----|-----|----|----|-----|----|----|
| 5 | 端子锁 | | 红色 | PBT | 1 | |
| 4 | 橡胶圈 | | 绿色 | 硅胶 | 1 | |
| 3 | 主体 | | | PBT | 1 | |
| 2 | 橡胶堵 | | 绿色 | 硅胶 | 1 | |
| 1 | 上盖 | | 黑色 | PBT | 1 | |
| 序号 | 名称 | 型号 | 颜色 | 材料 | 数量 | 备注 |

| | | | | | |
|------|--|-------------|--------------|-------|----------|
| DSND | | SCALE: N/A | MODEL TYPE: | | |
| DWN | | VIEW: | PART NO.: | | |
| CHKD | | UNIT: mm/in | K776286H-X | | |
| APPD | | SIZE: A4 | DWG NO.: | | |
| | | | X-K776286H-X | | |
| | | | WEIGHT | SHEET | REVISION |
| | | | | 1/1 | A0 |

| | |
|------------------------|------|
| ANGULAR | ±5° |
| L ≤ 4 | ±0.2 |
| 4 < L ≤ 16 | ±0.3 |
| 16 < L ≤ 63 | ±0.4 |
| L > 63 | ±0.5 |
| UNSPECIFIED TOLERANCES | |



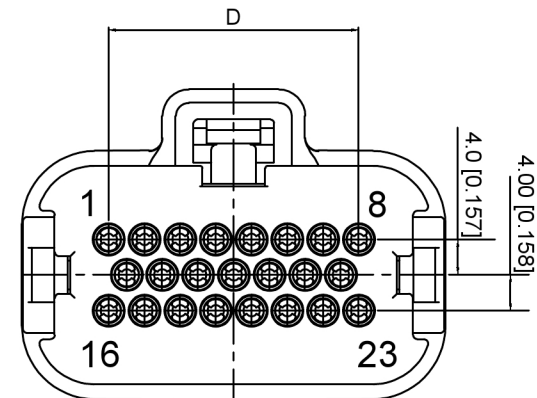
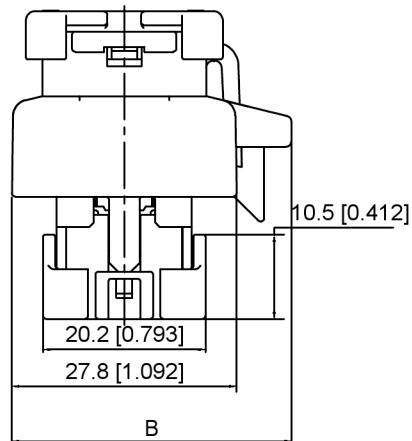
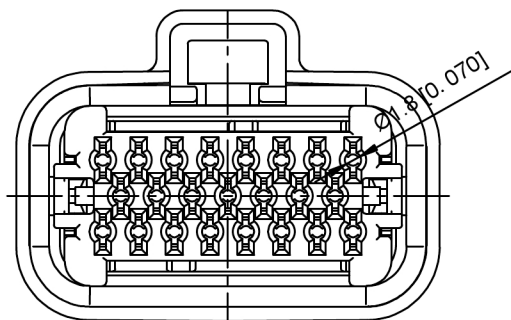
XKB INDUSTRIAL PRECISION CO., LIMITED

广东星坤科技股份有限公司

| | | |
|------|--|----|
| ΔX | | 日期 |
| ΔX | | |
| ΔX | | |
| MARK | | |

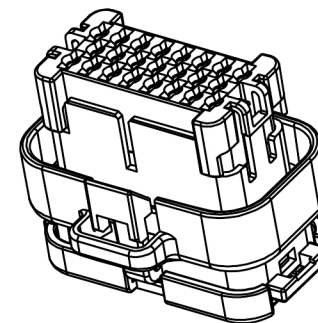
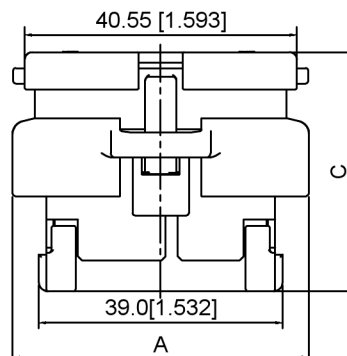
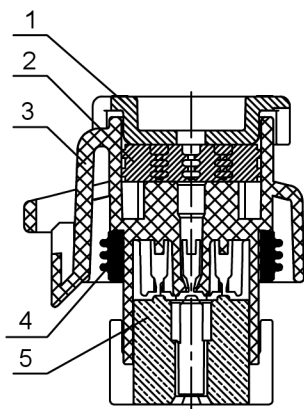
文件工程章

REVISIONS
www.helloxkb.com www.helloxkb.cn www.xk-dg.cn



技术说明

- 1. 表明光洁, 无明显缩坑与熔接痕
- 2. 工作温度: -40°C - +120°C



K 770680 H - 1

- ① ② ③ ④

- ① K : XKBTEK-Car Connector
- ② XKB Series NO.
- ③ Category: H-HSG
- ④ 1: Type1 (23Pin)

| K770680H-1 | K776464L-1 | K770669WR | K776228WW | K770520T | |
|------------|-------------------|--------------------|--------------------|-----------------------|----|
| PART NO | Suitable XKB Lock | Suitable XKB Wafer | Suitable XKB Wafer | Suitable XKB Terminal | |
| 5 | 端子锁 | 红色 | PBT | 1 | |
| 4 | 橡胶圈 | 棕色 | 硅胶 | 1 | |
| 3 | 主体 | 黑色 | PBT | 1 | |
| 2 | 橡胶堵 | 绿色 | 硅胶 | 1 | |
| 1 | 上盖 | 黑色 | PBT | 1 | |
| 序号 | 名称 | 颜色 | 材质 | 数量 | 备注 |

广东星坤科技股份有限公司

| | | |
|-----|--|----|
| 4ΔX | | 日期 |
| ΔX | | |
| ΔX | | |

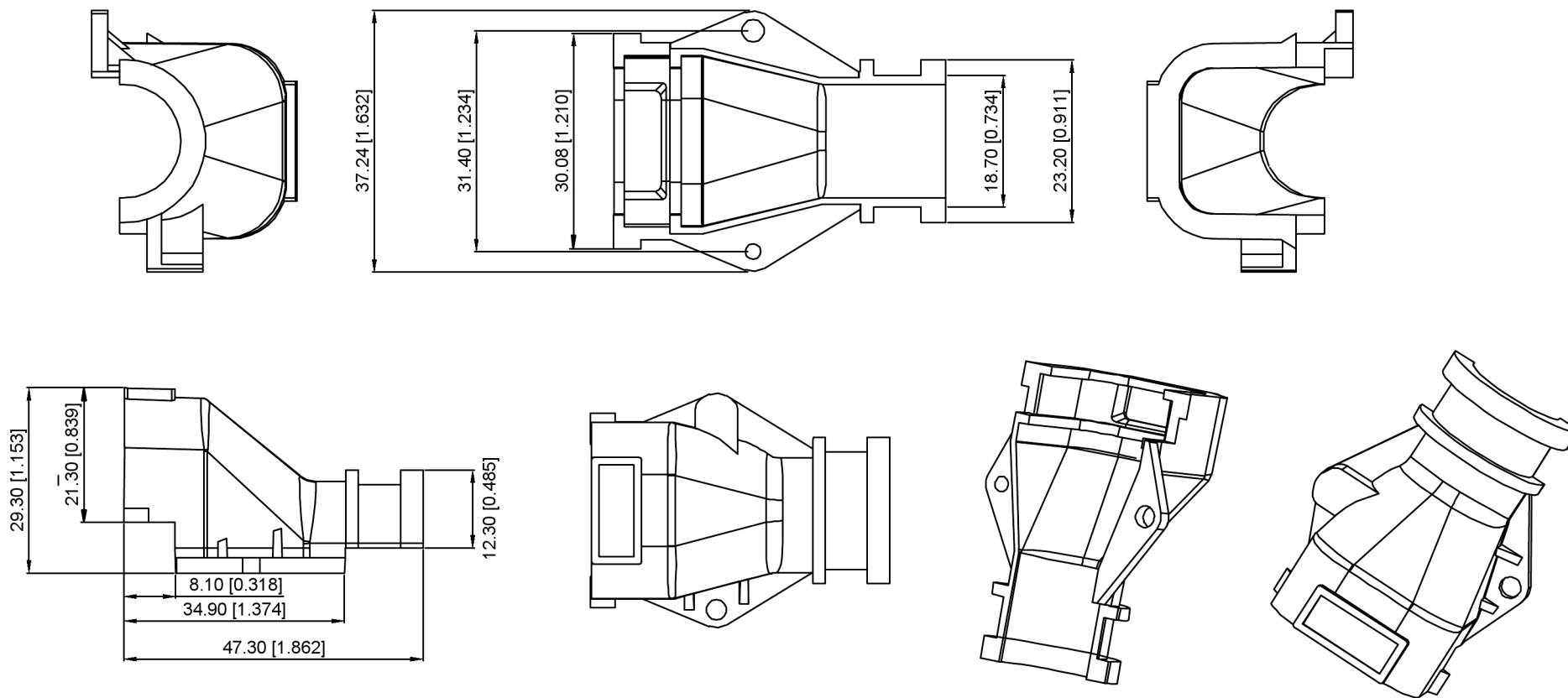
文件工程章

| MARK | DESCRIPTION | DATE | REVISED | APPROVED | ANGULAR | ±5° |
|------|-------------|------|---------|----------|------------------------|------|
| | | | | | L ≤ 4 | ±0.2 |
| | | | | | 4 < L ≤ 16 | ±0.3 |
| | | | | | 16 < L ≤ 63 | ±0.4 |
| | | | | | L > 63 | ±0.5 |
| | | | | | UNSPECIFIED TOLERANCES | |



XKB INDUSTRIAL PRECISION CO., LIMITED

| | | |
|------|-------------|-----------------------|
| DSND | SCALE: N/A | MODEL TYPE: |
| DWN | VIEW: | PART NO.: K770680H-1 |
| CHKD | UNIT: mm/in | DWG NO.: X-K770680H-1 |
| APPD | SIZE: A4 | WEIGHT |
| | | SHEET 1/1 |
| | | REVISION A0 |



| | | |
|------------|-------|----------------------|
| K776464L-1 | Black | K770680H |
| K776464L-2 | White | |
| PART NO | Color | Suitable XKB Housing |

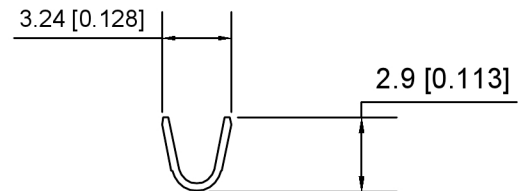
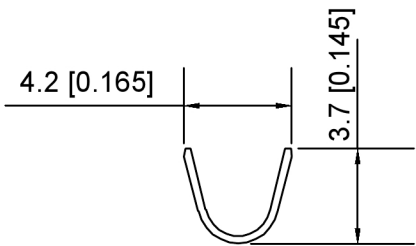
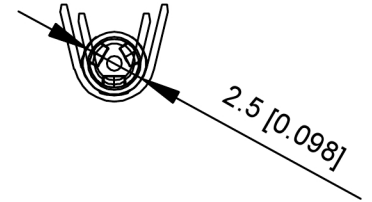
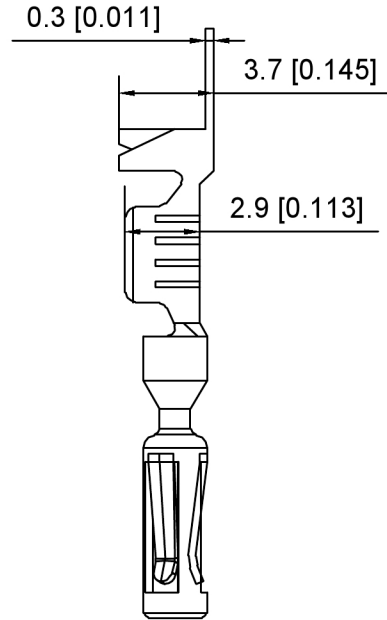
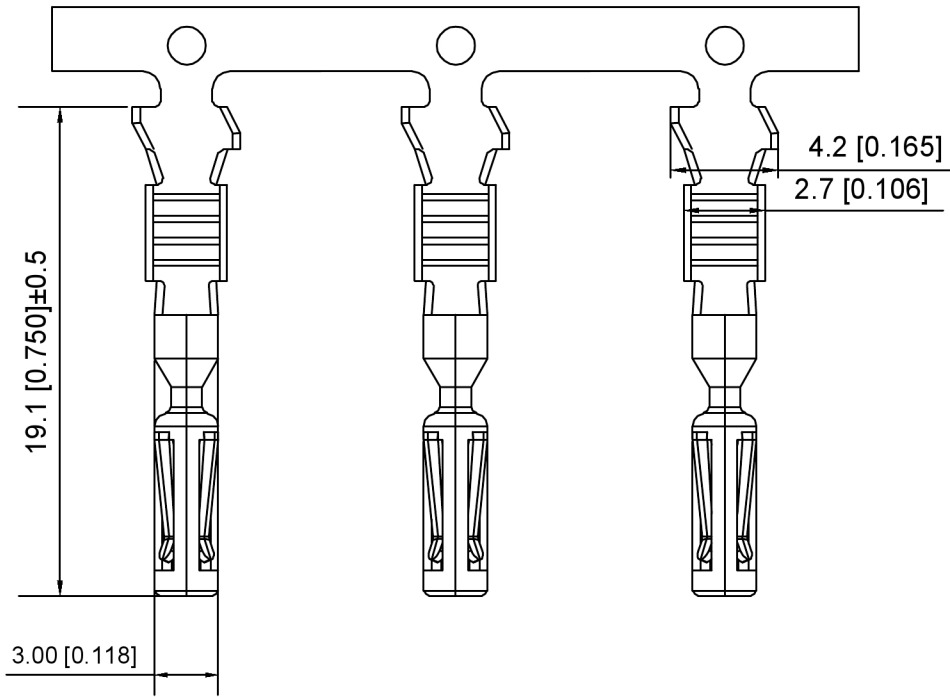
广东星坤科技股份有限公司
 生效 MARK 日期
 文件工程章

| REVISIONS | DESCRIPTION | DATE | REVISED | APPROVED | UNSPECIFIED TOLERANCES |
|-----------|-------------|------|---------|----------|------------------------|
| | | | | | ANGULAR ±5° |
| | | | | | L ≤ 4 ±0.2 |
| | | | | | 4 < L ≤ 16 ±0.3 |
| | | | | | 16 < L ≤ 63 ±0.4 |
| | | | | | L > 63 ±0.5 |

XKIB

XKB INDUSTRIAL PRECISION CO., LIMITED

| | | |
|--------|-------------|------------------------|
| DSND | SCALE: N/A | MODEL TYPE: K776464L-X |
| DWN | VIEW: | PART NO.: 23 Pin 尾夹 |
| CHKD | UNIT: mm/in | DWG NO.: X-K776464L-X |
| APPD | SIZE: A4 | |
| WEIGHT | SHEET 1/1 | REVISION A0 |



技术要求:

- 1.产品光洁无毛刺，倒角清晰完整，无垫伤，变形，开裂等

| | | | |
|------------|------------|------------|----------------------|
| K770520T-1 | QSn6.5-0.1 | AWG#18-20 | K770680H |
| PART No | Matrial | Wire Range | Suitable XKB Housing |

广东星坤科技股份有限公司

| | | | | | |
|-------|-------------|------|---------|----------|------------------------|
| DATE | DESCRIPTION | DATE | REVISED | APPROVED | UNSPECIFIED TOLERANCES |
| MARK | | | | | |
| 文件工程章 | | | | | |



| | | |
|------|-------------|-----------------------|
| DSND | SCALE: N/A | MODEL TYPE: |
| DWN | VIEW: | PART NO.: K770520T-1 |
| CHKD | UNIT: mm/in | DWG NO.: X-K770520T-1 |
| APPD | SIZE: A4 | WEIGHT |
| | | SHEET 1/1 |
| | | REVISION A0 |

XKB INDUSTRIAL PRECISION CO., LIMITED

www.helloxkb.com www.helloxkb.cn www.xk-dg.cn

X-ON Electronics

Largest Supplier of Electrical and Electronic Components

Click to view similar products for [Automotive Connectors](#) category:

Click to view products by [XKB](#) manufacturer:

Other Similar products are found below :

[003-018-000](#) [60993906-B](#) [M902-2131](#) [M902-2161](#) [M902-2344](#) [72.330.1035.1](#) [73.353.4028.0](#) [F166900](#) [F358300-B](#) [F407400](#) [776880-1](#)
[827153-1](#) [8N1515-32-24P](#) [9-1326729-8](#) [925474-1](#) [928905-1](#) [964562-4](#) [968782-1](#) [98891-1012](#) [12004475-L](#) [12020308](#) [12041318-B](#)
[12052466](#) [12059716](#) [12064869](#) [12015909](#) [1-21030-1](#) [12041254](#) [12041318](#) [12047946-B](#) [12110546-B](#) [12131792](#) [12084688](#) [12092346](#)
[HD34-18-14PT](#) [HD46-24-23SN-059](#) [HDB36-24-16PN-059](#) [HDP26-24-9SE-L015](#) [12185280](#) [12185550](#) [12336-12](#) [12191172-B](#) [12S](#)
[13545280](#) [13577943](#) [13681974](#) [13737722-B](#) [13830674](#) [13832576](#) [13849772](#)