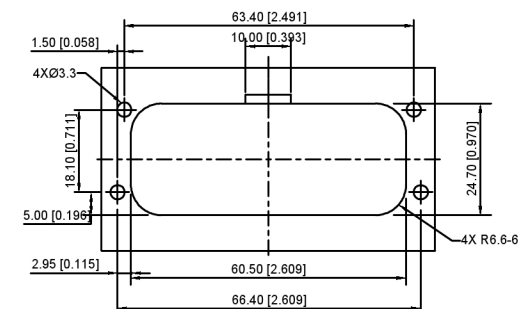
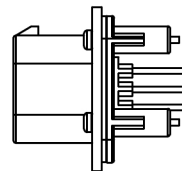
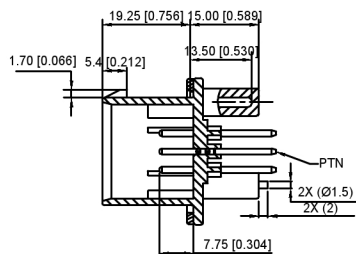
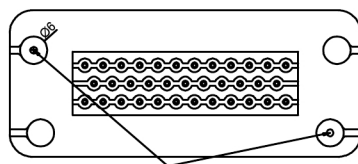
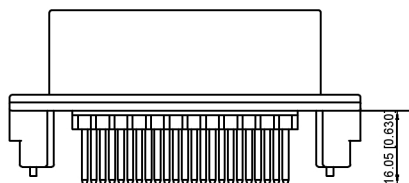


K776231WV-1 & K1776231WV-1

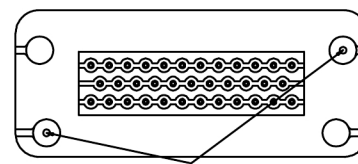


K 776231 WV-X
① ② ③ ④ ⑤

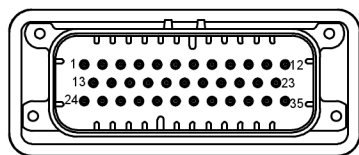
- ① K :XKBTEK-Car Connector
- ② XKB Series NO.
- ③ Category:W-Wafer
- ④ Welding Board Angle:V-Right Angle 180°
- ⑤ X:Color



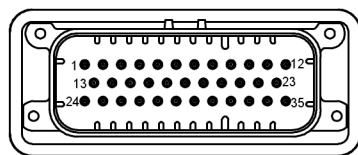
K776231WV-1 & K1776231WV-1
K776231WV-4 & K1776231WV-4
K776231WV-6 & K1776231WV-6



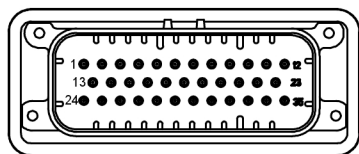
K776231WV-2 & K1776231WV-2
K776231WV-5 & K1776231WV-5



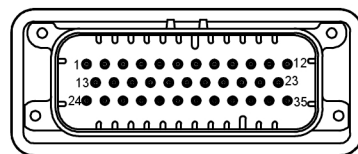
K776231WV-2 & K1776231WV-2



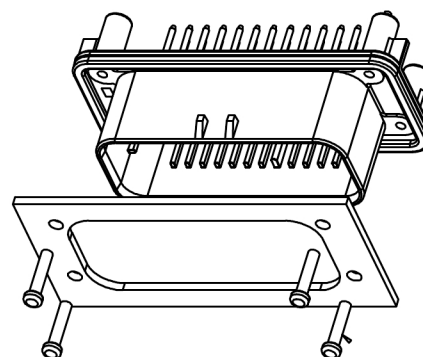
K776231WV-4 & K1776231WV-4



K776231WV-5 & K1776231WV-5



K776231WV-6 & K1776231WV-6



金	橙色	K1776231WV-6	
金	蓝色	K1776231WV-5	
金	灰色	K1776231WV-4	
金	白色	K1776231WV-2	
金	黑色	K1776231WV-1	
锡	橙色	K776231WV-6	
锡	蓝色	K776231WV-5	
锡	灰色	K776231WV-4	
锡	白色	K776231WV-2	
锡	黑色	K776231WV-1	
电镀	颜色	型号	
K776231WV-X	PBT	K776164H	K770520T
PART NO	MATERIAL	Suitable XKB Housing	Suitable XKB Terminal

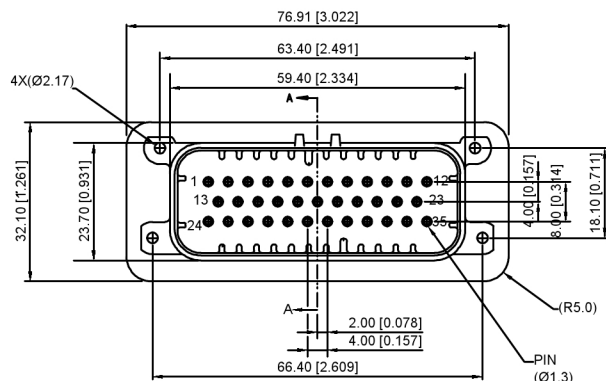
DSND	SCALE: N/A	MODEL TYPE:	
DWN	VIEW:	PART NO.: K776231WV-X	
CHKD	UNIT: mm/in	DWG NO.: X-K776231WV-X	
APPD	SIZE: A4	WEIGHT	SHEET REVISION
XKB INDUSTRIAL PRECISION CO., LIMITED		1/1	A0

广东星坤科技股份有限公司

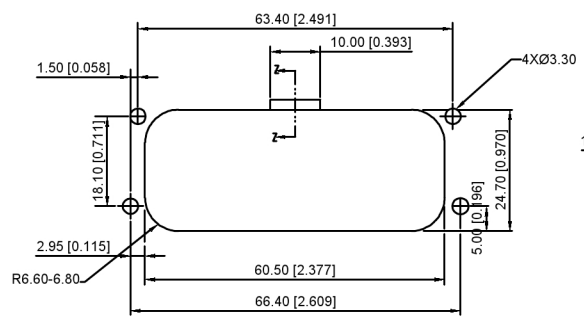
文件工程章

MARK	DESCRIPTION	DATE	REVISED	APPROVED	UNSPECIFIED TOLERANCES
ΔX					ANGLAR ±5°
ΔX					L ≤ 4 ±0.2
ΔX					4 < L ≤ 16 ±0.3
					16 < L ≤ 63 ±0.4
					L > 63 ±0.5

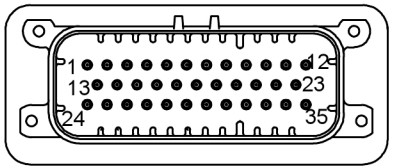




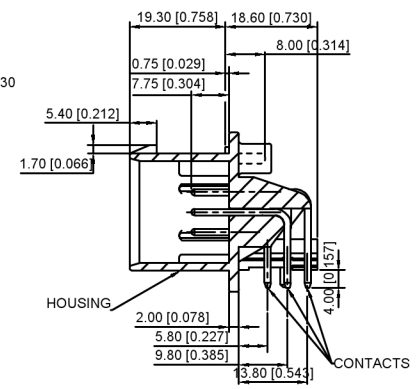
K776180WR-1 & K1776180WR-1



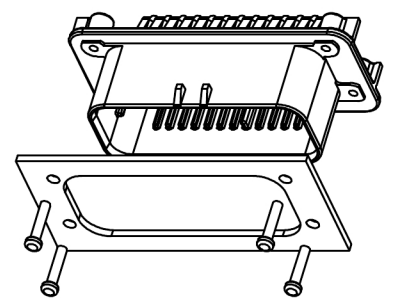
K776180WR-2 & K1776180WR-2



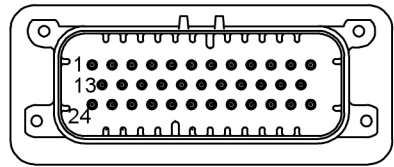
K776180WR-4 & K1776180WR-4



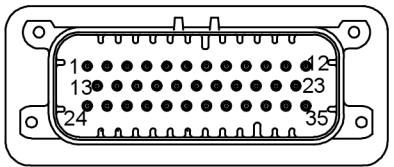
SECTION A-A



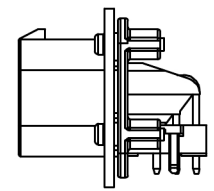
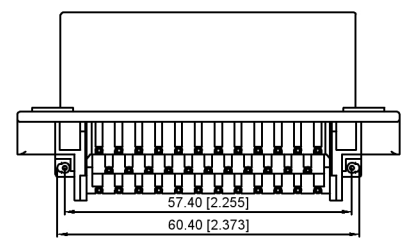
- Technical Features:**
- 1.No.of Positions:23P
 - 2.The Mating Female Housing
 - 3.Current Rating:8A
 - 4.Temperature Range :-40 °C to 125 °C
 - 5.Fully sealed and submersible IP67 rating



K776180WR-5 & K1776180WR-5



K776180WR-6 & K1776180WR-6



K 776180 WR-X
 ① ② ③ ④ ⑤

- ① K :XKBTEK-Car Connector
- ② XKB Series NO.
- ③ Category:W-Wafer
- ④ Welding Board Angle:R-Right Angle 90°
- ⑤ X:Color

金	橙色	K1776180WR-6
金	蓝色	K1776180WR-5
金	灰色	K1776180WR-4
金	白色	K1776180WR-2
金	黑色	K1776180WR-1
锡	橙色	K776180WR-6
锡	蓝色	K776180WR-5
锡	灰色	K776180WR-4
锡	白色	K776180WR-2
锡	黑色	K776180WR-1
电镀	颜色	型号

K776180WR-X	PBT	BLACK	BRASS	K776164H
PART NUMBER	MATERIAL	COLOR	MATERIAL	Suitable XKB Housing
	HOUSING		CONTACT	

DSND	SCALE: N/A	MODEL TYPE:
DWN	VIEW:	PART NO.: K776180WR-X
CHKD	UNIT: mm/in	DWG NO.: X-K776180WR-X
APPD	SIZE: A4	

广东星坤科技股份有限公司

ΔX	日期
ΔX	日期
ΔX	日期
MARK	DESCRIPTION

文件工程章

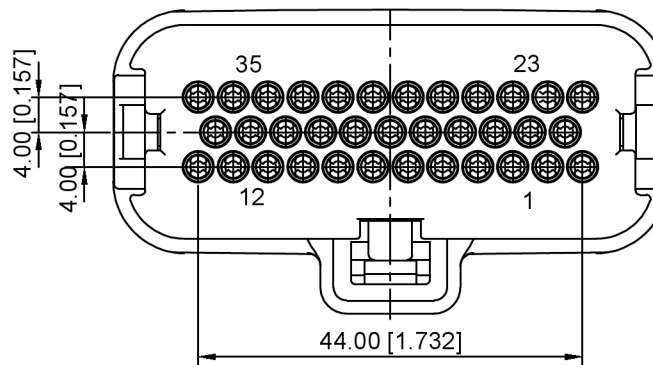
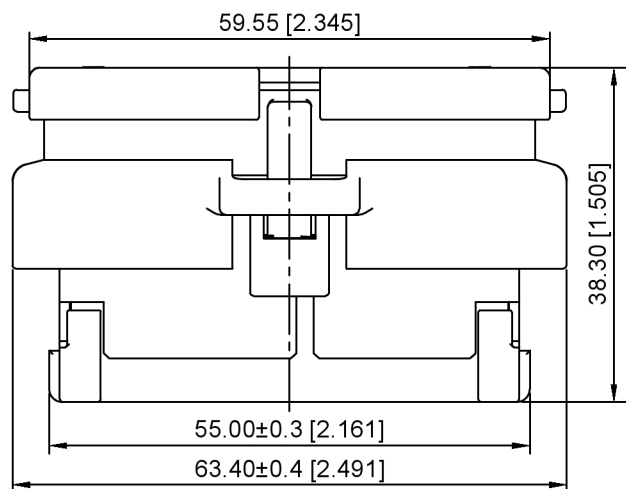
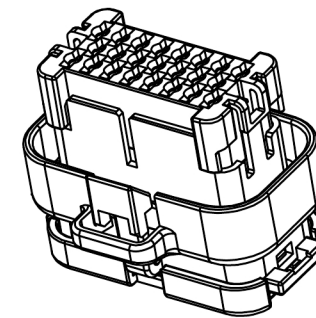
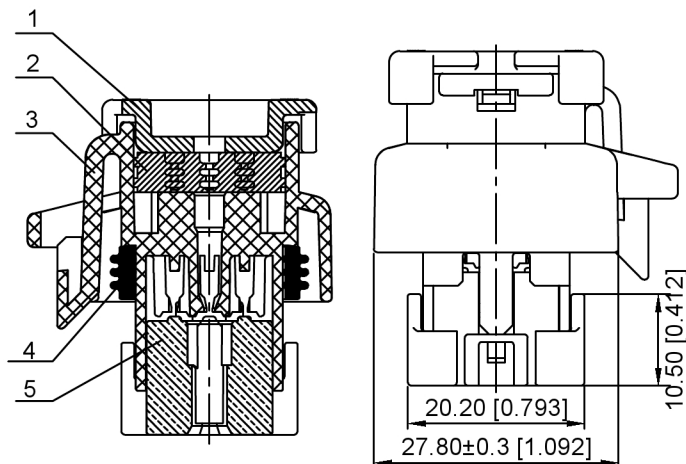
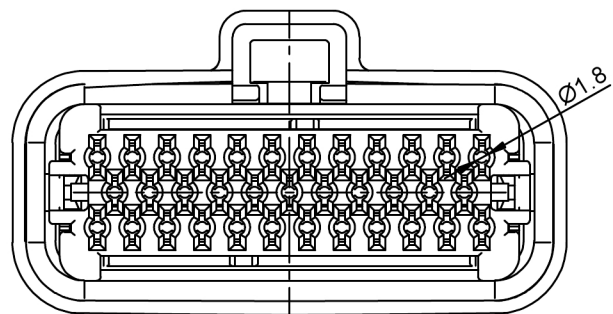
REVISIONS	UNSPECIFIED TOLERANCES
ANGLAR ±5°	
L ≤ 4 ±0.2	
4 < L ≤ 16 ±0.3	
16 < L ≤ 63 ±0.4	
L > 63 ±0.5	



XKB INDUSTRIAL PRECISION CO., LIMITED

www.helloxkb.com www.helloxkb.cn www.xk-dg.cn

WEIGHT	SHEET	REVISION
	1/1	A0



K 776164 H - 1

- ① ② ③ ④

- ①K :XKBTEK-Car Connector
- ②XKB Series NO.
- ③Category:H-HSG
- ④1: Type1(35Pin)

K776164H-1	K770520T-1	K776463L	K776231WV	K776180WR		
PART NO	Suitable XKB Terminal	Suitable XKB Lock	Suitable XKB Wafer	Suitable XKB Wafer		
5	端子锁	红色	PBT	1		
4	橡胶圈	棕色	硅胶	1		
3	主体	黑色	PBT	1		
2	橡胶堵	棕色	硅胶	1		
1	上盖	黑色	PBT	1		
序号	名称	型号	颜色	材料	数量	备注

DSND	SCALE: N/A	MODEL TYPE:
DWN	VIEW:	PART NO.: K776164H-1
CHKD	UNIT: mm/in	DWG NO.: X-K776164H-1
APPD	SIZE: A4	WEIGHT
		SHEET
		REVISION
		1/1
		A0



XKB INDUSTRIAL PRECISION CO., LIMITED

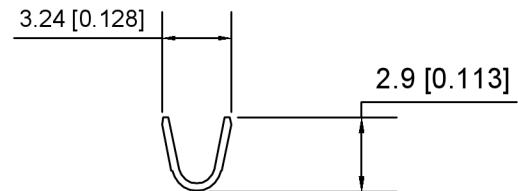
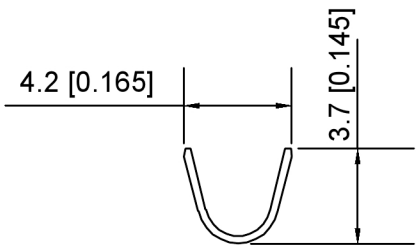
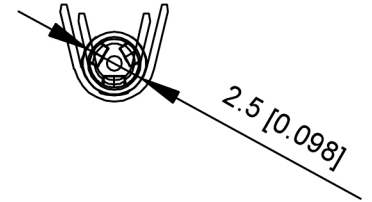
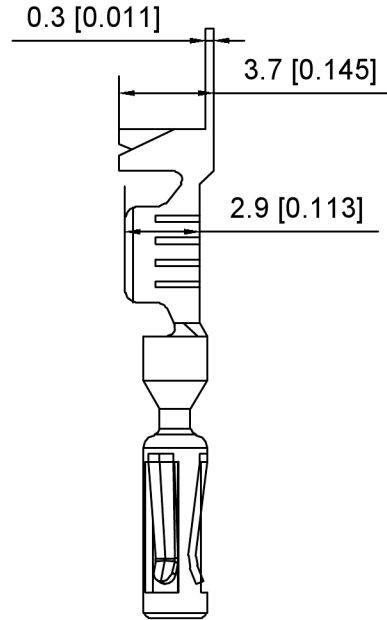
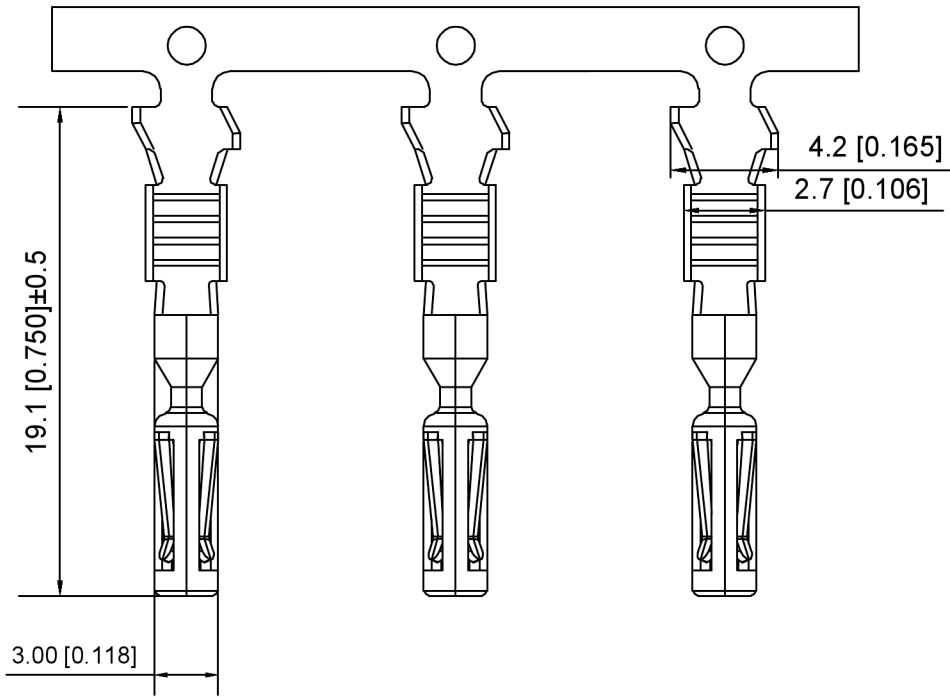
ANGLAR	±5°
L ≤ 4	±0.2
4 < L ≤ 16	±0.3
16 < L ≤ 63	±0.4
L > 63	±0.5
UNSPECIFIED TOLERANCES	

广东星坤科技股份有限公司

文件工程章

ΔX	日期
ΔX	日期
ΔX	日期
MARK	DESCRIPTION

REVISIONS	DATE	REVISED	APPROVED



技术要求:

- 1.产品光洁无毛刺，倒角清晰完整，无垫伤，变形，开裂等

K770520T-1	QSn6.5-0.1	AWG#18-20	K770680H
PART No	Matrial	Wire Range	Suitable XKB Housing

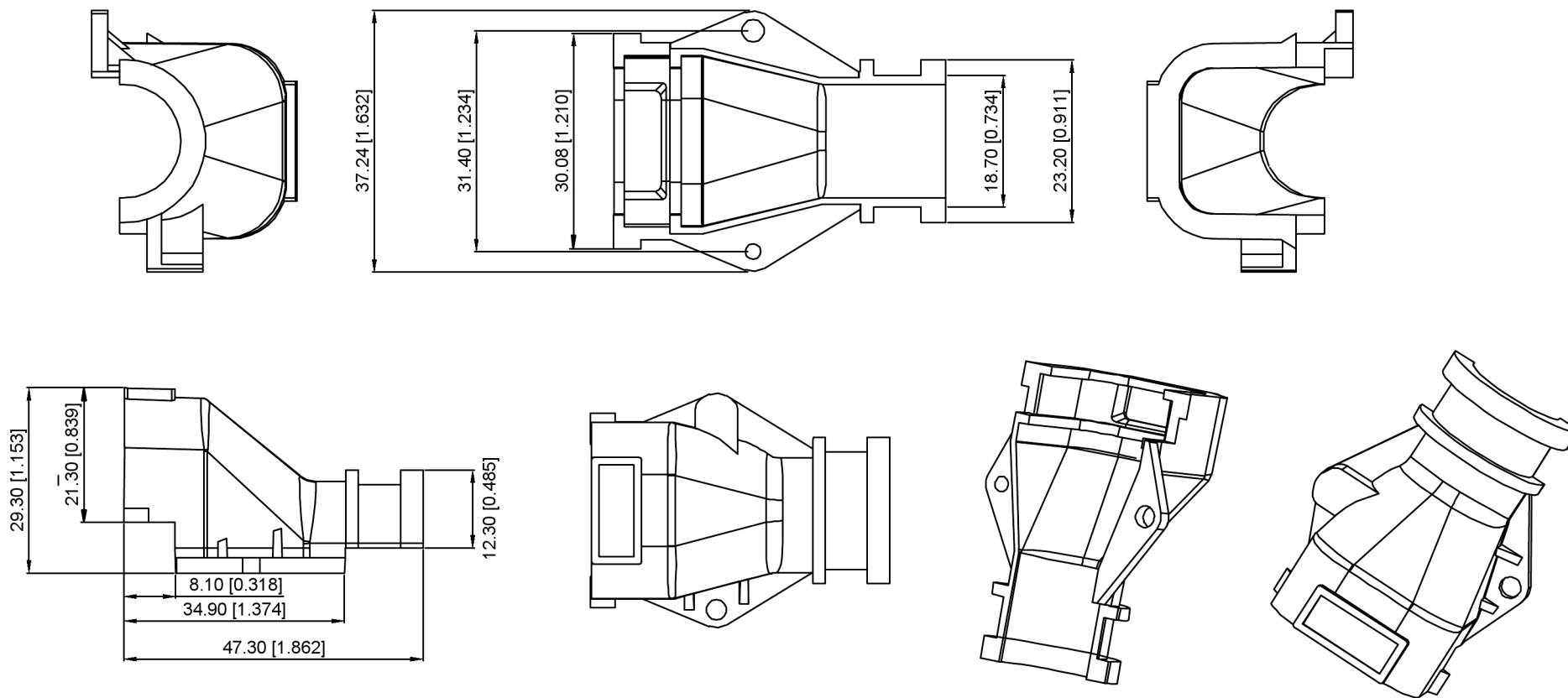
广东星坤科技股份有限公司

MARK	DESCRIPTION	DATE	REVISED	APPROVED	UNSPECIFIED TOLERANCES
Δx	日期				ANGULAR ±5°
Δx					L ≤ 4 ±0.2
Δx					4 < L ≤ 16 ±0.3
					16 < L ≤ 63 ±0.4
					L > 63 ±0.5



DSND	SCALE: N/A	MODEL TYPE:
DWN	VIEW:	PART NO.: K770520T-1
CHKD	UNIT: mm/in	DWG NO.: X-K770520T-1
APPD	SIZE: A4	WEIGHT
		SHEET 1/1
		REVISION A0

文件工程章



K776464L-1	Black	K770680H
K776464L-2	White	
PART NO	Color	Suitable XKB Housing

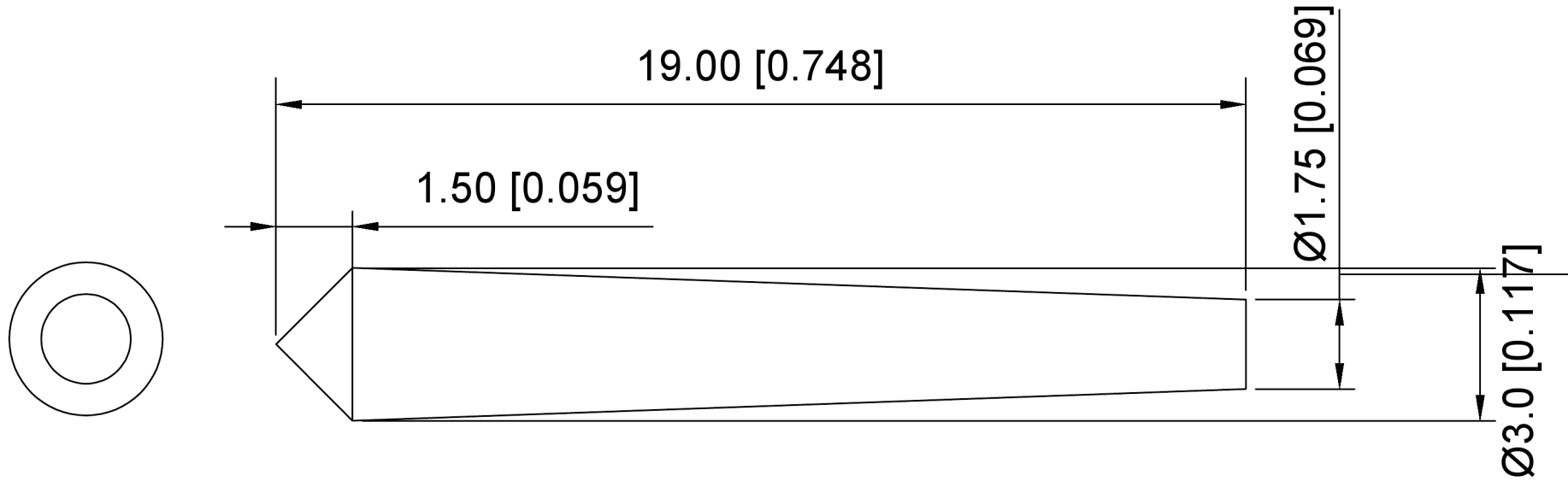
广东星坤科技股份有限公司
 生效 MARK 日期
 文件工程章

REVISIONS	DESCRIPTION	DATE	REVISED	APPROVED	UNSPECIFIED TOLERANCES
					ANGULAR ±5°
					L ≤ 4 ±0.2
					4 < L ≤ 16 ±0.3
					16 < L ≤ 63 ±0.4
					L > 63 ±0.5

XKIB

XKB INDUSTRIAL PRECISION CO., LIMITED

DSND	SCALE: N/A	MODEL TYPE: K776464L-X
DWN	VIEW:	PART NO.: 23 Pin 尾夹
CHKD	UNIT: mm/in	DWG NO.: X-K776464L-X
APPD	SIZE: A4	
WEIGHT	SHEET 1/1	REVISION A0



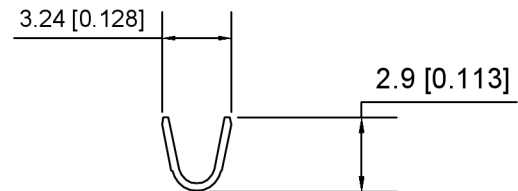
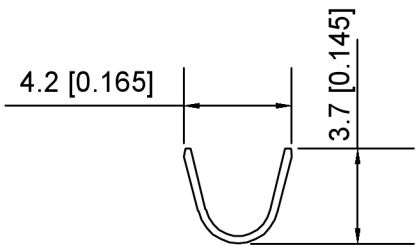
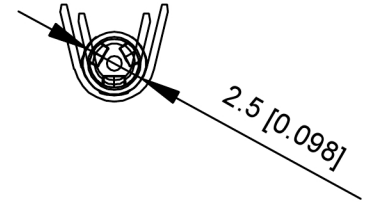
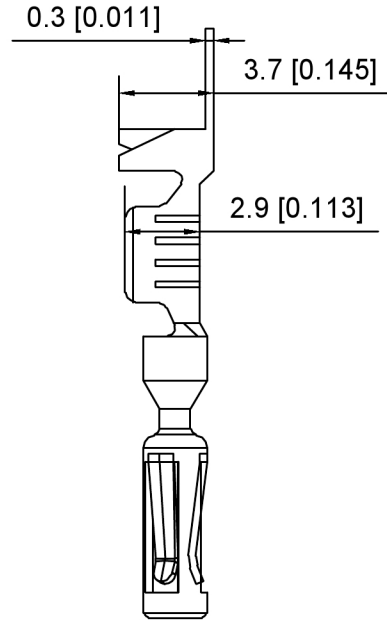
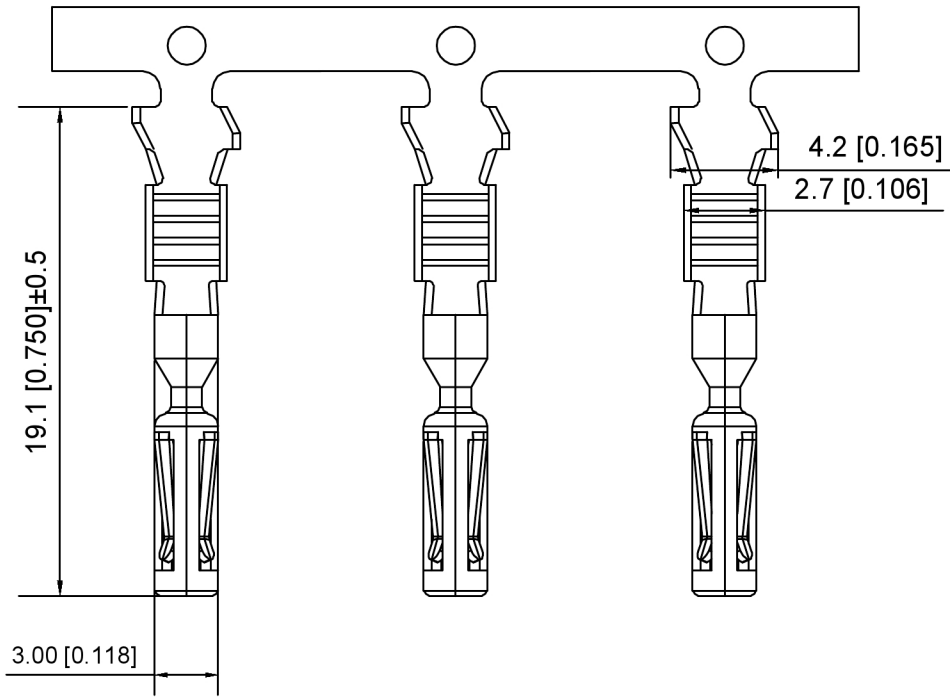
K770678L-1	PA66	Natural	K776286H / K776273H / K770680H / K776164H
PART NO	Material	Color	Suitable XKB Housing

广东星坤科技股份有限公司

ΔX	日期
ΔX	日期
ΔX	日期
MARK	DESCRIPTION

文件工程章

						ANGLAR	±5°	XKLB	DSND		SCALE: N/A	MODEL TYPE: 盲栓		
						L ≤ 4	±0.2		DWN		VIEW:	PART NO.: K770678L-1		
						4 < L ≤ 16	±0.3		CHKD		UNIT: mm/in	DWG NO.: X-K770678L-1		
						16 < L ≤ 63	±0.4		APPD		SIZE: A4	WEIGHT	SHEET	REVISION
						L > 63	±0.5					1/1	A0	
UNSPECIFIED TOLERANCES								XKB INDUSTRIAL PRECISION CO., LIMITED						



技术要求:

- 1.产品光洁无毛刺，倒角清晰完整，无垫伤，变形，开裂等

K770520T-1	QSn6.5-0.1	AWG#18-20	K770680H
PART No	Matrial	Wire Range	Suitable XKB Housing

广东星坤科技股份有限公司

DATE	DESCRIPTION	DATE	REVISED	APPROVED	ANGLAR	±5°
DATE	DESCRIPTION	DATE	REVISED	APPROVED	L ≤ 4	±0.2
DATE	DESCRIPTION	DATE	REVISED	APPROVED	4 < L ≤ 16	±0.3
DATE	DESCRIPTION	DATE	REVISED	APPROVED	16 < L ≤ 63	±0.4
DATE	DESCRIPTION	DATE	REVISED	APPROVED	L > 63	±0.5
REVISIONS					UNSPECIFIED TOLERANCES	
www.helloxkb.com www.helloxkb.cn www.xk-dg.cn					XKB INDUSTRIAL PRECISION CO., LIMITED	



DSND	SCALE: N/A	MODEL TYPE:
DWN	VIEW:	PART NO.: K770520T-1
CHKD	UNIT: mm/in	DWG NO.: X-K770520T-1
APPD	SIZE: A4	WEIGHT
		SHEET
		REVISION
		1/1
		A0

文件工程章

X-ON Electronics

Largest Supplier of Electrical and Electronic Components

Click to view similar products for [Automotive Connectors](#) category:

Click to view products by [XKB](#) manufacturer:

Other Similar products are found below :

[003-018-000](#) [60993906-B](#) [M902-2131](#) [M902-2161](#) [M902-2344](#) [72.330.1035.1](#) [73.353.4028.0](#) [F166900](#) [F358300-B](#) [F407400](#) [776880-1](#)
[827153-1](#) [8N1515-32-24P](#) [9-1326729-8](#) [925474-1](#) [928905-1](#) [964562-4](#) [968782-1](#) [98891-1012](#) [12004475-L](#) [12020308](#) [12041318-B](#)
[12052466](#) [12059716](#) [12064869](#) [12015909](#) [1-21030-1](#) [12041254](#) [12041318](#) [12047946-B](#) [12110546-B](#) [12131792](#) [12084688](#) [12092346](#)
[HD34-18-14PT](#) [HD46-24-23SN-059](#) [HDB36-24-16PN-059](#) [HDP26-24-9SE-L015](#) [12185280](#) [12185550](#) [12336-12](#) [12191172-B](#) [12S](#)
[13545280](#) [13577943](#) [13681974](#) [13737722-B](#) [13830674](#) [13832576](#) [13849772](#)