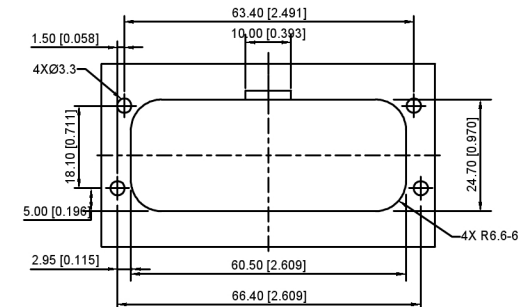
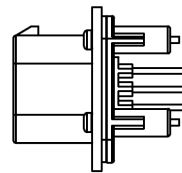
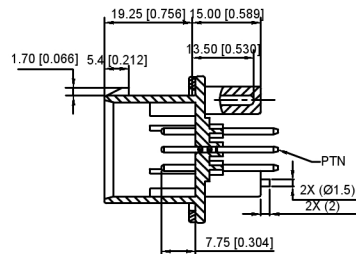
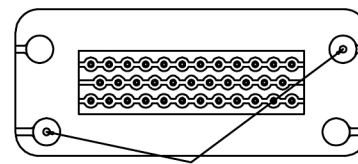
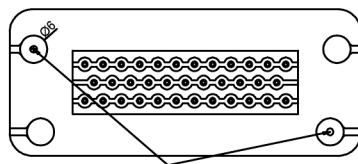
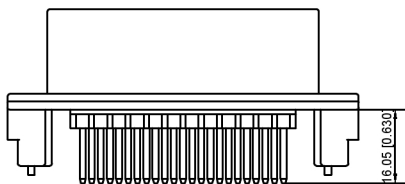


K776231WV-1 & K1776231WV-1



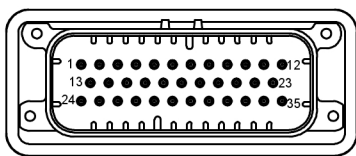
**K 776231 WV-X**  
 ① ② ③ ④ ⑤

- ① K :XKBTEK-Car Connector
- ② XKB Series NO.
- ③ Category:W-Wafer
- ④ Welding Board Angle:V-Right Angle 180°
- ⑤ X:Color

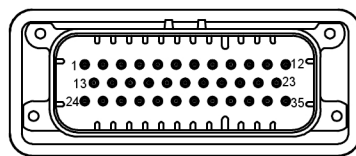


K776231WV-1 & K1776231WV-1  
 K776231WV-4 & K1776231WV-4  
 K776231WV-6 & K1776231WV-6

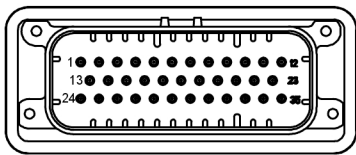
K776231WV-2 & K1776231WV-2  
 K776231WV-5 & K1776231WV-5



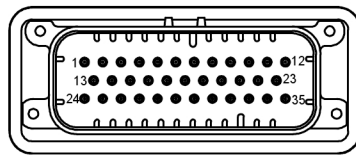
K776231WV-2 & K1776231WV-2



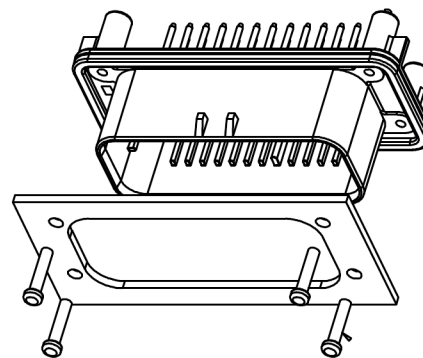
K776231WV-4 & K1776231WV-4



K776231WV-5 & K1776231WV-5



K776231WV-6 & K1776231WV-6



|             |          |                      |                       |
|-------------|----------|----------------------|-----------------------|
| 金           | 橙色       | K1776231WV-6         |                       |
| 金           | 蓝色       | K1776231WV-5         |                       |
| 金           | 灰色       | K1776231WV-4         |                       |
| 金           | 白色       | K1776231WV-2         |                       |
| 金           | 黑色       | K1776231WV-1         |                       |
| 锡           | 橙色       | K776231WV-6          |                       |
| 锡           | 蓝色       | K776231WV-5          |                       |
| 锡           | 灰色       | K776231WV-4          |                       |
| 锡           | 白色       | K776231WV-2          |                       |
| 锡           | 黑色       | K776231WV-1          |                       |
| 电镀          | 颜色       | 型号                   |                       |
| K776231WV-X | PBT      | K776164H             | K770520T              |
| PART NO     | MATERIAL | Suitable XKB Housing | Suitable XKB Terminal |

|                                       |  |             |                        |       |          |
|---------------------------------------|--|-------------|------------------------|-------|----------|
| DSND                                  |  | SCALE: N/A  | MODEL TYPE:            |       |          |
| DWN                                   |  | VIEW:       | PART NO.: K776231WV-X  |       |          |
| CHKD                                  |  | UNIT: mm/in | DWG NO.: X-K776231WV-X |       |          |
| APPD                                  |  | SIZE: A4    | WEIGHT                 | SHEET | REVISION |
| XKB INDUSTRIAL PRECISION CO., LIMITED |  |             | 1/1                    | A0    |          |

|             |      |
|-------------|------|
| ANGLAR      | ±5°  |
| L ≤ 4       | ±0.2 |
| 4 < L ≤ 16  | ±0.3 |
| 16 < L ≤ 63 | ±0.4 |
| L > 63      | ±0.5 |



UNSPECIFIED TOLERANCES

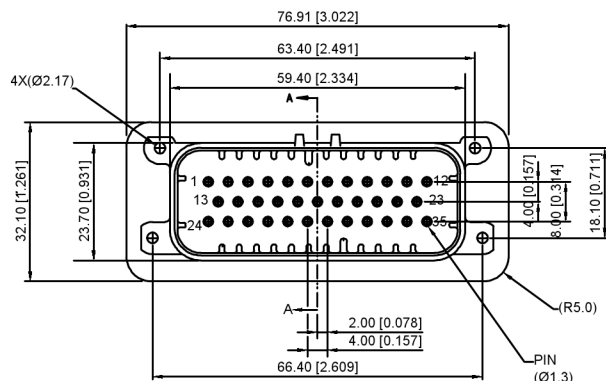
XKB INDUSTRIAL PRECISION CO., LIMITED

|        |       |          |
|--------|-------|----------|
| WEIGHT | SHEET | REVISION |
|        | 1/1   | A0       |

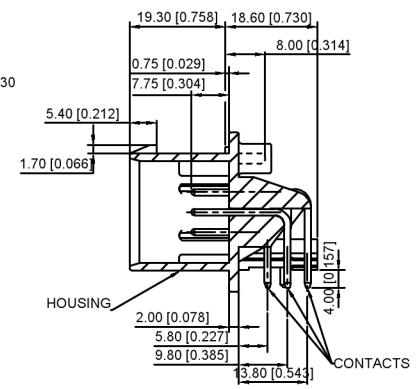
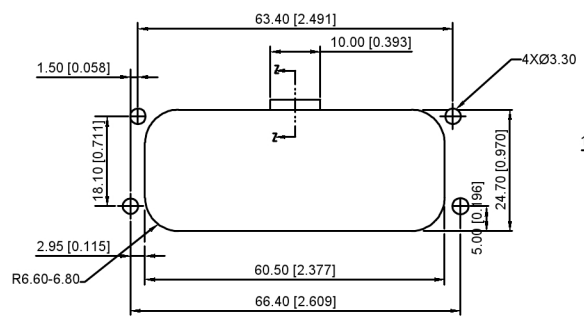
广东星坤科技股份有限公司

|       |             |
|-------|-------------|
| ΔX    | 日期          |
| ΔX    | 日期          |
| ΔX    | 日期          |
| MARK  | DESCRIPTION |
| 文件工程章 |             |

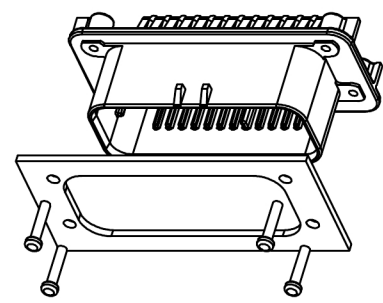
REVISIONS  
 www.helloxkb.com www.helloxkb.cn www.xk-dg.cn



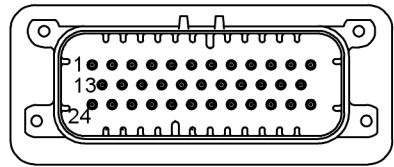
K776180WR-1 & K1776180WR-1



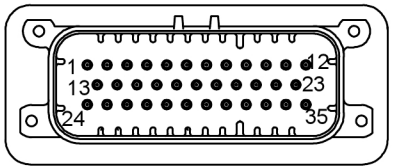
SECTION A-A



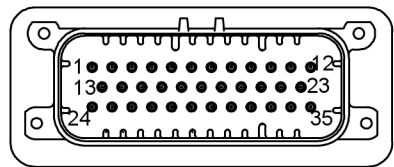
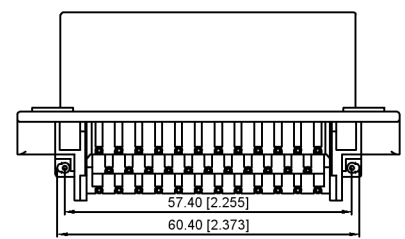
- Technical Features:**
- 1.No.of Positions:23P
  - 2.The Mating Female Housing
  - 3.Current Rating:8A
  - 4.Temperature Range :-40 °C to 125 °C
  - 5.Fully sealed and submersible IP67 rating



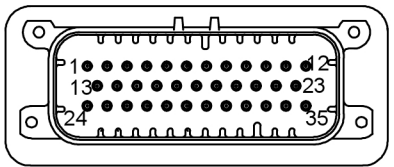
K776180WR-2 & K1776180WR-2



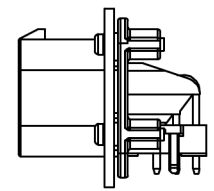
K776180WR-4 & K1776180WR-4



K776180WR-5 & K1776180WR-5



K776180WR-6 & K1776180WR-6



**K 776180 WR-X**  
 ① ② ③ ④ ⑤

- ① K :XKBTEK-Car Connector
- ② XKB Series NO.
- ③ Category:W-Wafer
- ④ Welding Board Angle:R-Right Angle 90°
- ⑤ X:Color

|    |    |              |
|----|----|--------------|
| 金  | 橙色 | K1776180WR-6 |
| 金  | 蓝色 | K1776180WR-5 |
| 金  | 灰色 | K1776180WR-4 |
| 金  | 白色 | K1776180WR-2 |
| 金  | 黑色 | K1776180WR-1 |
| 锡  | 橙色 | K776180WR-6  |
| 锡  | 蓝色 | K776180WR-5  |
| 锡  | 灰色 | K776180WR-4  |
| 锡  | 白色 | K776180WR-2  |
| 锡  | 黑色 | K776180WR-1  |
| 电镀 | 颜色 | 型号           |

|             |          |       |          |                      |
|-------------|----------|-------|----------|----------------------|
| K776180WR-X | PBT      | BLACK | BRASS    | K776164H             |
| PART NUMBER | MATERIAL | COLOR | MATERIAL | Suitable XKB Housing |
|             | HOUSING  |       | CONTACT  |                      |

|      |             |                        |
|------|-------------|------------------------|
| DSND | SCALE: N/A  | MODEL TYPE:            |
| DWN  | VIEW:       | PART NO.: K776180WR-X  |
| CHKD | UNIT: mm/in | DWG NO.: X-K776180WR-X |
| APPD | SIZE: A4    |                        |

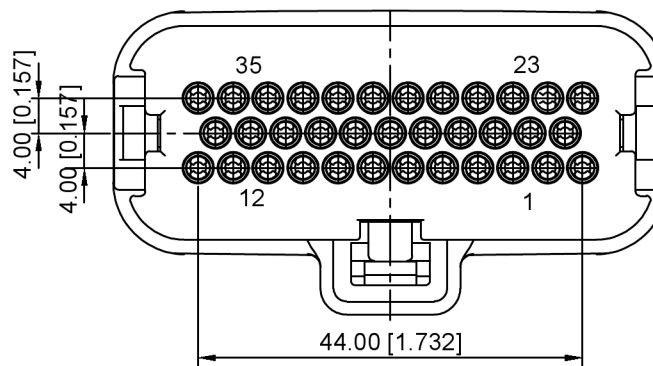
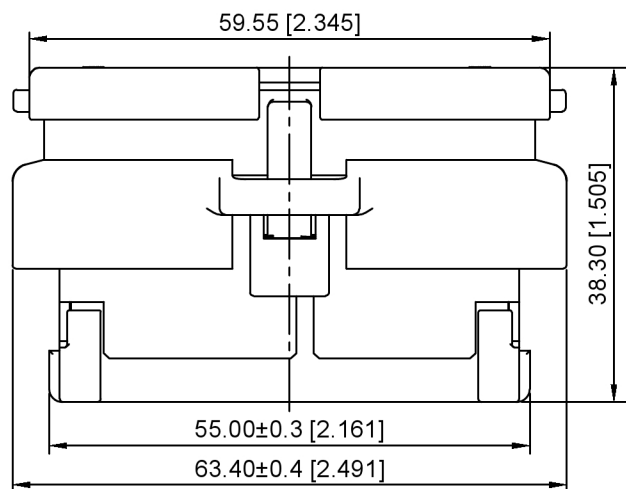
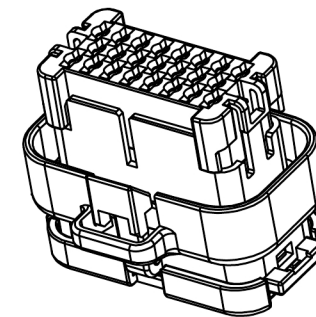
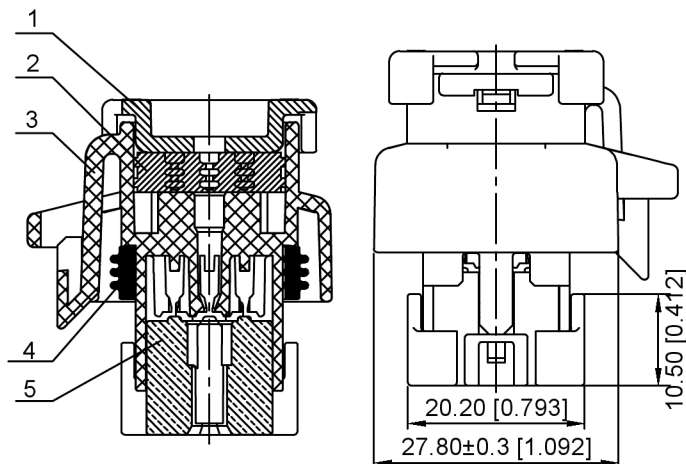
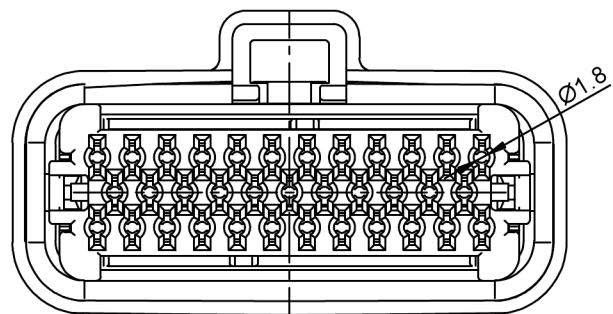
广东星坤科技股份有限公司

|      |    |             |      |
|------|----|-------------|------|
| ΔX   | 日期 | ANGLAR      | ±5°  |
| ΔX   |    | L ≤ 4       | ±0.2 |
| ΔX   |    | 4 < L ≤ 16  | ±0.3 |
| ΔX   |    | 16 < L ≤ 63 | ±0.4 |
| MARK |    | L > 63      | ±0.5 |



文件工程章

|   |                        |
|---|------------------------|
| REVISIONS                                     | UNSPECIFIED TOLERANCES |
| www.helloxkb.com www.helloxkb.cn www.xk-dg.cn |                        |



**K 776164 H - 1**

① ② ③ ④

- ①K :XKBTEK-Car Connector
- ②XKB Series NO.
- ③Category:H-HSG
- ④1: Type1(35Pin)

| K776164H-1 | K770520T-1            | K776463L          | K776231WV          | K776180WR          |    |    |
|------------|-----------------------|-------------------|--------------------|--------------------|----|----|
| PART NO    | Suitable XKB Terminal | Suitable XKB Lock | Suitable XKB Wafer | Suitable XKB Wafer |    |    |
| 5          | 端子锁                   | 红色                | PBT                | 1                  |    |    |
| 4          | 橡胶圈                   | 棕色                | 硅胶                 | 1                  |    |    |
| 3          | 主体                    | 黑色                | PBT                | 1                  |    |    |
| 2          | 橡胶堵                   | 棕色                | 硅胶                 | 1                  |    |    |
| 1          | 上盖                    | 黑色                | PBT                | 1                  |    |    |
| 序号         | 名称                    | 型号                | 颜色                 | 材料                 | 数量 | 备注 |

|      |             |                       |
|------|-------------|-----------------------|
| DSND | SCALE: N/A  | MODEL TYPE:           |
| DWN  | VIEW:       | PART NO.: K776164H-1  |
| CHKD | UNIT: mm/in | DWG NO.: X-K776164H-1 |
| APPD | SIZE: A4    | WEIGHT                |
|      |             | SHEET 1/1             |
|      |             | REVISION A0           |



XKB INDUSTRIAL PRECISION CO., LIMITED

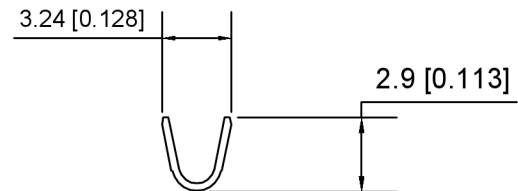
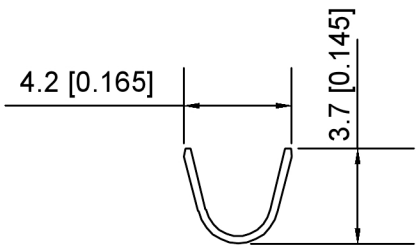
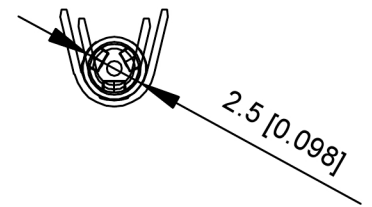
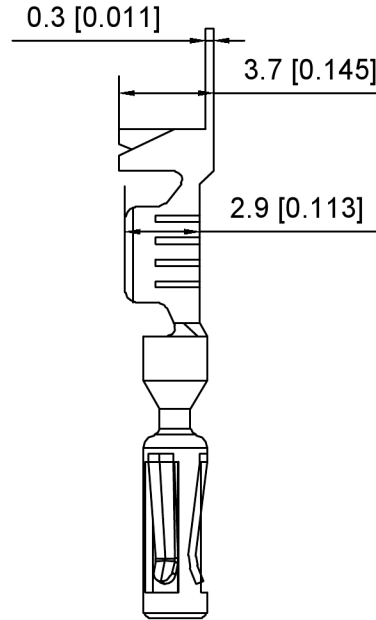
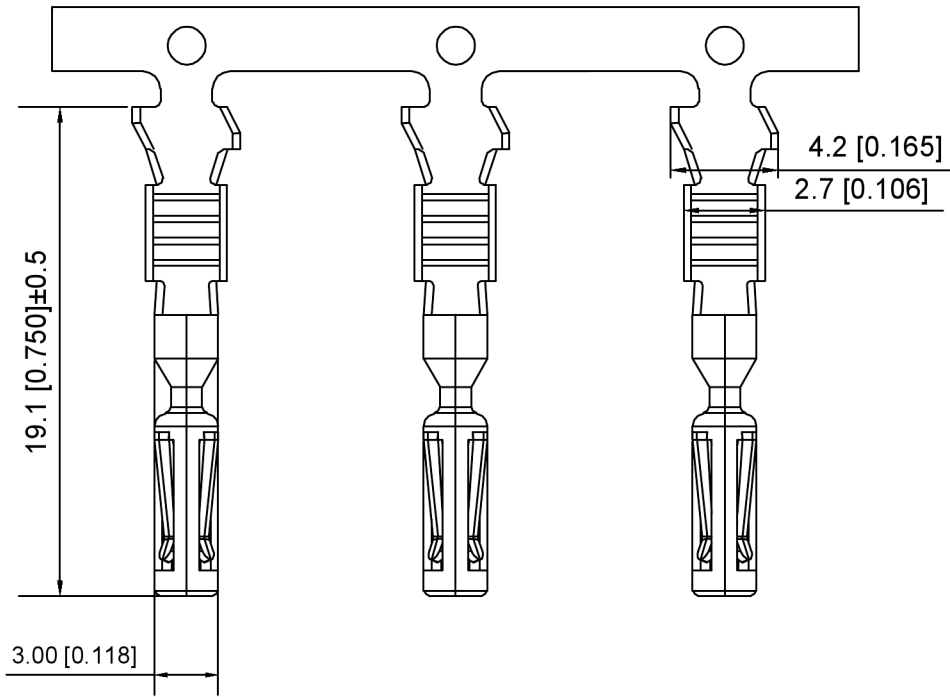
|                        |      |
|------------------------|------|
| ANGLAR                 | ±5°  |
| L ≤ 4                  | ±0.2 |
| 4 < L ≤ 16             | ±0.3 |
| 16 < L ≤ 63            | ±0.4 |
| L > 63                 | ±0.5 |
| UNSPECIFIED TOLERANCES |      |

广东星坤科技股份有限公司

|      |             |
|------|-------------|
| ΔX   | 日期          |
| ΔX   | 日期          |
| ΔX   | 日期          |
| MARK | DESCRIPTION |

文件工程章

|           |      |         |          |                        |
|-----------|------|---------|----------|------------------------|
| REVISIONS | DATE | REVISED | APPROVED | UNSPECIFIED TOLERANCES |
|           |      |         |          |                        |



技术要求:

- 1.产品光洁无毛刺，倒角清晰完整，无垫伤，变形，开裂等

|            |            |            |                      |
|------------|------------|------------|----------------------|
| K770520T-1 | QSn6.5-0.1 | AWG#18-20  | K770680H             |
| PART No    | Matrial    | Wire Range | Suitable XKB Housing |

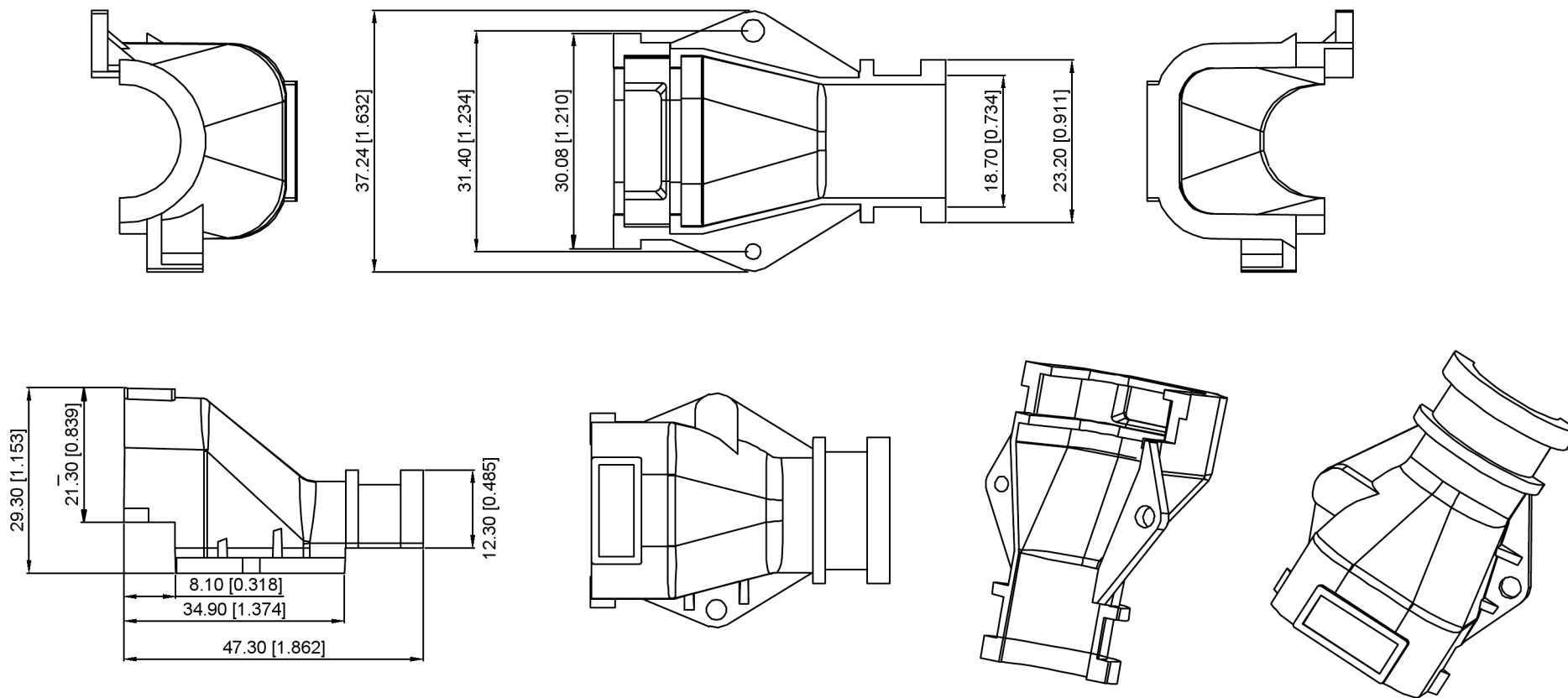
广东星坤科技股份有限公司

|   |             |      |         |          |                                       |      |
|---|-------------|------|---------|----------|---------------------------------------|------|
| DATE  | DESCRIPTION | DATE | REVISED | APPROVED | ANGLAR                                | ±5°  |
| DATE  | DESCRIPTION | DATE | REVISED | APPROVED | L ≤ 4                                 | ±0.2 |
| DATE  | DESCRIPTION | DATE | REVISED | APPROVED | 4 < L ≤ 16                            | ±0.3 |
| DATE  | DESCRIPTION | DATE | REVISED | APPROVED | 16 < L ≤ 63                           | ±0.4 |
| DATE  | DESCRIPTION | DATE | REVISED | APPROVED | L > 63                                | ±0.5 |
| REVISIONS                                     |             |      |         |          | UNSPECIFIED TOLERANCES                |      |
| www.helloxkb.com www.helloxkb.cn www.xk-dg.cn |             |      |         |          | XKB INDUSTRIAL PRECISION CO., LIMITED |      |



|      |             |                       |
|------|-------------|-----------------------|
| DSND | SCALE: N/A  | MODEL TYPE:           |
| DWN  | VIEW:       | PART NO.: K770520T-1  |
| CHKD | UNIT: mm/in | DWG NO.: X-K770520T-1 |
| APPD | SIZE: A4    | WEIGHT                |
|      |             | SHEET                 |
|      |             | REVISION              |
|      |             | 1/1                   |
|      |             | A0                    |

文件工程章



|            |       |                      |
|------------|-------|----------------------|
| K776464L-1 | Black | K770680H             |
| K776464L-2 | White |                      |
| PART NO    | Color | Suitable XKB Housing |

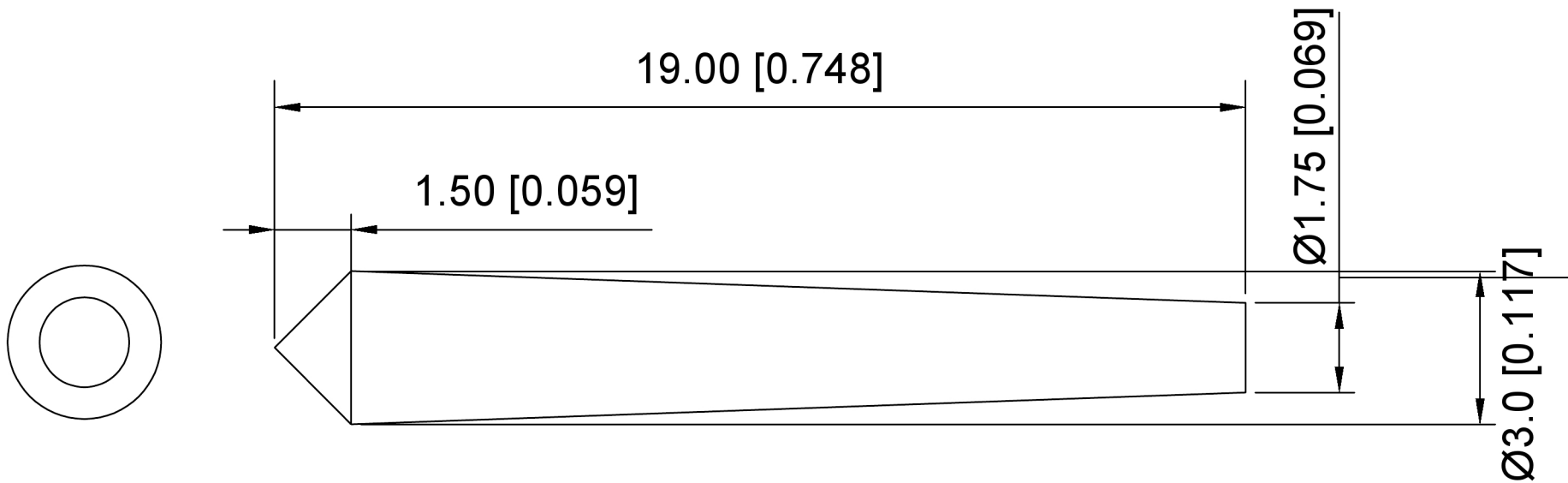
广东星坤科技股份有限公司  
 生效 MARK 日期  
 文件工程章

| REVISIONS | DESCRIPTION | DATE | REVISED | APPROVED | UNSPECIFIED TOLERANCES |
|-----------|-------------|------|---------|----------|------------------------|
|           |             |      |         |          | ANGULAR ±5°            |
|           |             |      |         |          | L ≤ 4 ±0.2             |
|           |             |      |         |          | 4 < L ≤ 16 ±0.3        |
|           |             |      |         |          | 16 < L ≤ 63 ±0.4       |
|           |             |      |         |          | L > 63 ±0.5            |

**XKIB**

XKB INDUSTRIAL PRECISION CO., LIMITED

|        |             |                        |
|--------|-------------|------------------------|
| DSND   | SCALE: N/A  | MODEL TYPE: K776464L-X |
| DWN    | VIEW:       | PART NO.: 23 Pin 尾夹    |
| CHKD   | UNIT: mm/in | DWG NO.: X-K776464L-X  |
| APPD   | SIZE: A4    |                        |
| WEIGHT | SHEET 1/1   | REVISION A0            |



|            |          |         |   |
|------------|----------|---------|---|
| K770678L-1 | PA66     | Natural | K776286H / K776273H / K770680H / K776164H |
| PART NO    | Material | Color   | Suitable XKB Housing                      |

广东星坤科技股份有限公司

|      |             |
|------|-------------|
| ΔX   | 日期          |
| ΔX   | 日期          |
| ΔX   | 日期          |
| MARK | DESCRIPTION |

文件工程章

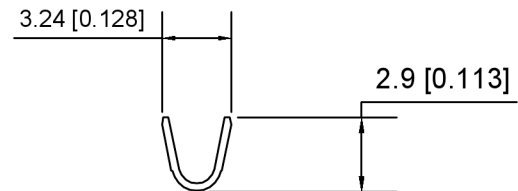
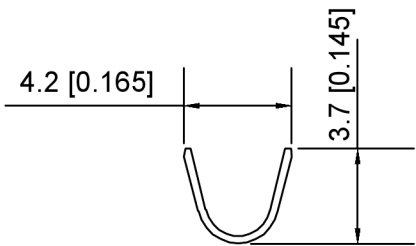
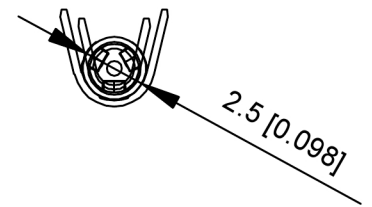
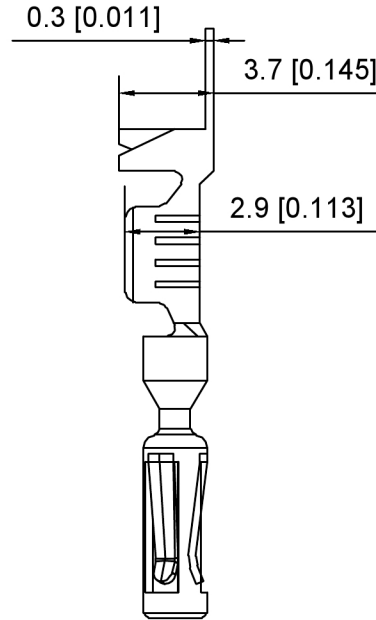
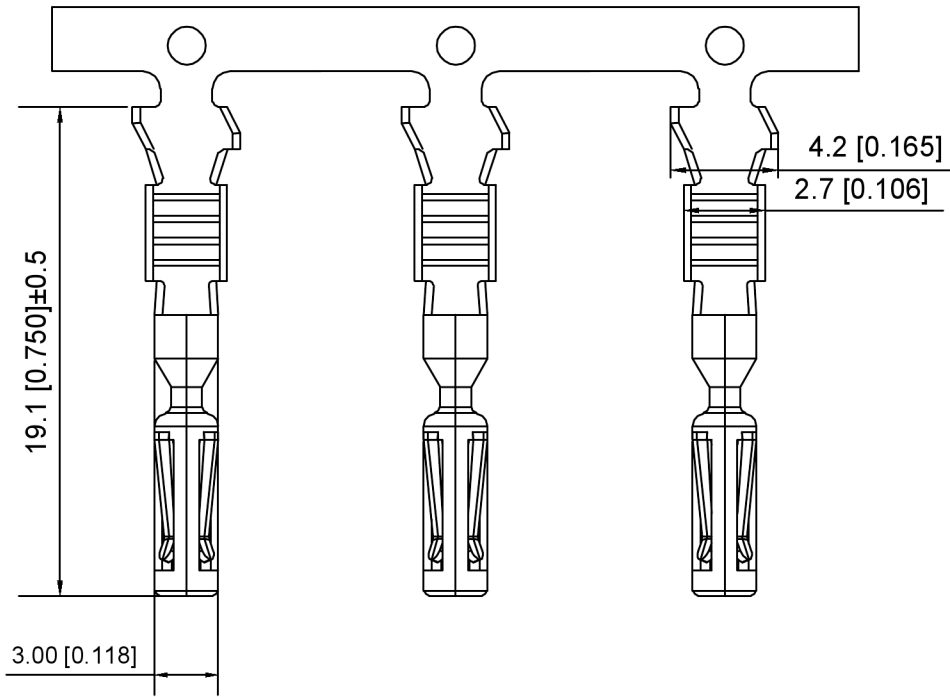
|  |  |  |  |  |                        |      |
|--|--|--|--|--|------------------------|------|
|  |  |  |  |  | ANGULAR                | ±5°  |
|  |  |  |  |  | L ≤ 4                  | ±0.2 |
|  |  |  |  |  | 4 < L ≤ 16             | ±0.3 |
|  |  |  |  |  | 16 < L ≤ 63            | ±0.4 |
|  |  |  |  |  | L > 63                 | ±0.5 |
|  |  |  |  |  | UNSPECIFIED TOLERANCES |      |



|      |             |
|------|-------------|
| DSND | SCALE: N/A  |
| DWN  | VIEW:       |
| CHKD | UNIT: mm/in |
| APPD | SIZE: A4    |

|                       |           |             |
|-----------------------|-----------|-------------|
| MODEL TYPE: 盲栓        |           |             |
| PART NO.: K770678L-1  |           |             |
| DWG NO.: X-K770678L-1 |           |             |
| WEIGHT                | SHEET 1/1 | REVISION A0 |

XKB INDUSTRIAL PRECISION CO., LIMITED



技术要求:

- 1.产品光洁无毛刺，倒角清晰完整，无垫伤，变形，开裂等

|            |            |            |                      |
|------------|------------|------------|----------------------|
| K770520T-1 | QSn6.5-0.1 | AWG#18-20  | K770680H             |
| PART No    | Matrial    | Wire Range | Suitable XKB Housing |

广东星坤科技股份有限公司

|       |             |      |         |          |                        |
|-------|-------------|------|---------|----------|------------------------|
| DATE  | DESCRIPTION | DATE | REVISED | APPROVED | UNSPECIFIED TOLERANCES |
| MARK  |             |      |         |          |                        |
| 文件工程章 |             |      |         |          |                        |



|                                      |             |                       |
|--------------------------------------|-------------|-----------------------|
| DSND                                 | SCALE: N/A  | MODEL TYPE:           |
| DWN                                  | VIEW:       | PART NO.: K770520T-1  |
| CHKD                                 | UNIT: mm/in | DWG NO.: X-K770520T-1 |
| APPD                                 | SIZE: A4    |                       |
| XKB INDUSTRIAL PRECISION CO.,LIMITED |             | WEIGHT SHEET REVISION |
|                                      |             | 1/1 A0                |

## X-ON Electronics

Largest Supplier of Electrical and Electronic Components

*Click to view similar products for [Automotive Connectors](#) category:*

*Click to view products by [XKB](#) manufacturer:*

Other Similar products are found below :

[003-018-000](#) [60993906-B](#) [M902-2131](#) [M902-2161](#) [M902-2344](#) [72.330.1035.1](#) [73.353.4028.0](#) [F166900](#) [F358300-B](#) [F407400](#) [776880-1](#)  
[827153-1](#) [8N1515-32-24P](#) [9-1326729-8](#) [925474-1](#) [928905-1](#) [964562-4](#) [968782-1](#) [98891-1012](#) [12004475-L](#) [12020308](#) [12041318-B](#)  
[12052466](#) [12059716](#) [12064869](#) [12015909](#) [1-21030-1](#) [12041254](#) [12041318](#) [12047946-B](#) [12110546-B](#) [12131792](#) [12084688](#) [12092346](#)  
[HD34-18-14PT](#) [HD46-24-23SN-059](#) [HDB36-24-16PN-059](#) [HDP26-24-9SE-L015](#) [12185280](#) [12185550](#) [12336-12](#) [12191172-B](#) [12S](#)  
[13545280](#) [13577943](#) [13681974](#) [13737722-B](#) [13830674](#) [13832576](#) [13849772](#)