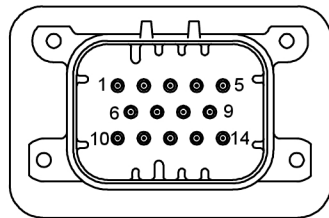
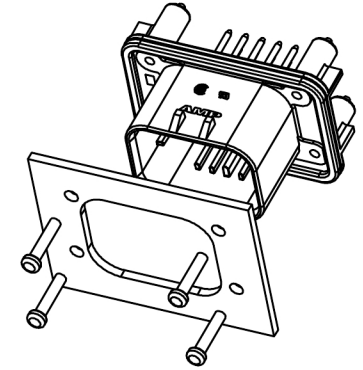
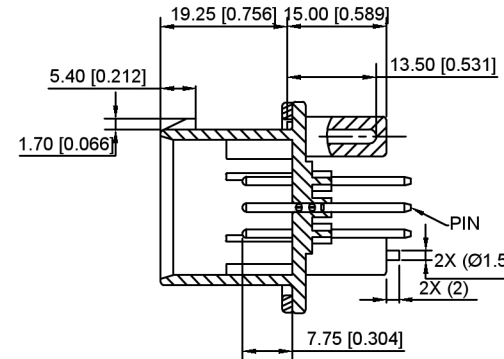
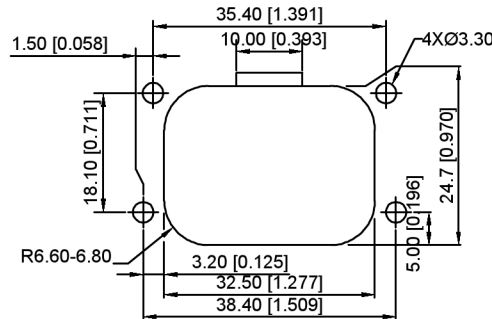
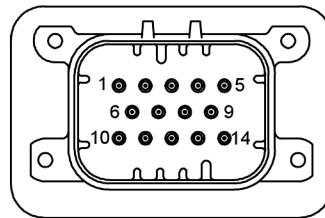


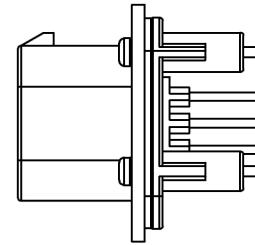
K776262WV-1 & K1776262WV-1



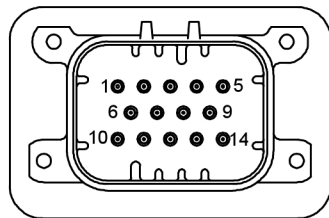
K776262WV-2 & K1776262WV-2



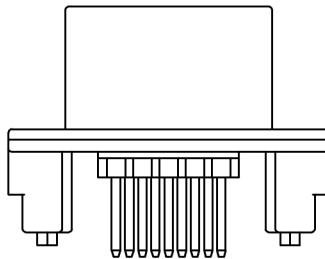
K776262WV-4 & K1776262WV-4



- Technical Features:
- 1.No.of Positions:23P
  - 2.The Mating Female Housing
  - 3.Current Rating:8A
  - 4.Temperature Range :-40°C to 125°C
  - 5.Fully sealed and submersible IP67 rating



K776262WV-5 & K1776262WV-5



**K 776262 WV-X**  
 ① ② ③ ④ ⑤

- ① K :XKBTEK-Car Connector
- ② XKB Series N0.
- ③ Category:W-Wafer
- ④ Welding Board Angle:V-Right Angle 180°
- ⑤ X:Color

金	蓝色	K1776262WV-5
金	灰色	K1776262WV-4
金	白色	K1776262WV-2
锡	蓝色	K776262WV-5
锡	灰色	K776262WV-4
锡	白色	K776262WV-2
锡	黑色	K776262WV-1
电镀	颜色	型号

K776262WV-X	PBT	BLACK	BRASS	K776273H
PART NUMBER	MATERIAL	COLOR	MATERIAL	Suitable XKB Housing
	HOUSING		CONTACT	

DSND	SCALE: N/A	MODEL TYPE:
DWN	VIEW:	PART NO.: K776262WV-X
CHKD	UNIT: mm/in	DWG NO.:
APPD	SIZE: A4	X-K776262WV-X

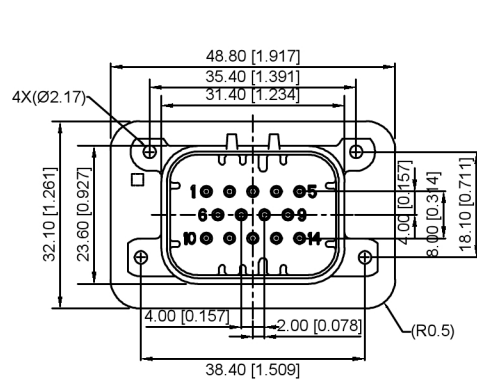
广东星坤科技股份有限公司  
 文件工程章

MARK	DESCRIPTION	DATE	REVISED	APPROVED	UNSPECIFIED TOLERANCES
ΔX					ANGULAR ±5°
ΔX					L ≤ 4 ±0.2
ΔX					4 < L ≤ 16 ±0.3
					16 < L ≤ 63 ±0.4
					L > 63 ±0.5

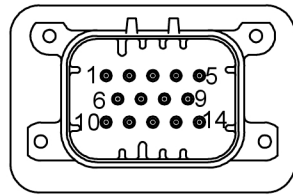
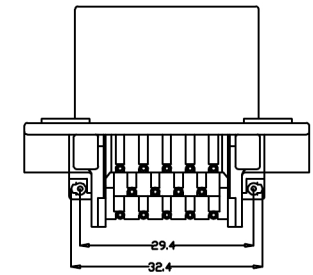
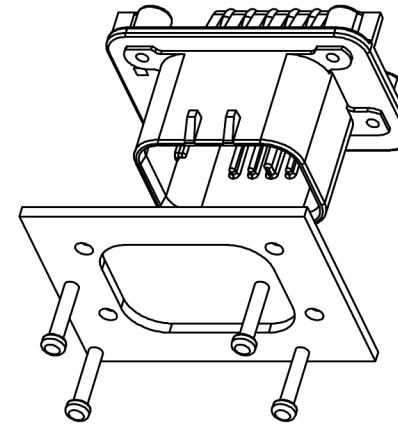
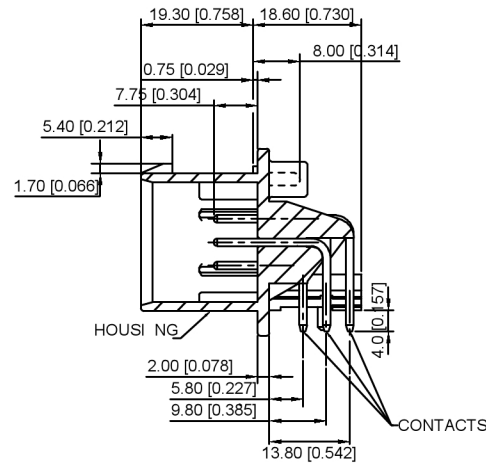


XKB INDUSTRIAL PRECISION CO., LIMITED

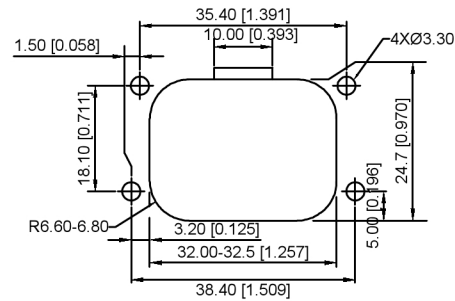
WEIGHT	SHEET	REVISION
	1/1	A0



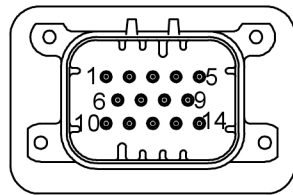
K776266WR-1 & K1776266WR-1



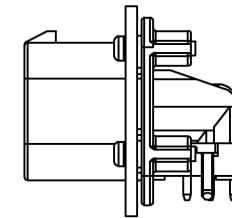
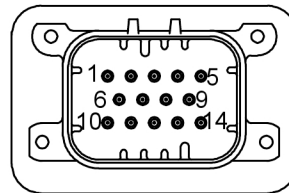
K776266WR-2 & K1776266WR-2



K776266WR-4 & K1776266WR-4



K776266WR-5 & K1776266WR-5



Technical Features:

- 1.No. of Positions:23P
- 2.The Mating Female Housing
- 3.Current Rating:8A
- 4.Temperature Range :-40°C to 125 °C
- 5.Fully sealed and submersible IP67 rating

**K 776226 WR-X**  
 ① ② ③ ④ ⑤

- ① K :XKBTEK-Car Connector
- ② XKB Series NO.
- ③ Category:W-Wafer
- ④ Welding Board Angle:R-Right Angle 90°
- ⑤ X:Color

金	蓝色	K1776226WR-5
金	灰色	K1776226WR-4
金	白色	K1776226WR-2
金	黑色	K1776226WR-1
锡	蓝色	K776226WR-5
锡	灰色	K776226WR-4
锡	白色	K776226WR-2
锡	黑色	K776226WR-1
电镀	颜色	型号

K776226WR-X	PBT	BLACK	BRASS	K776273H
PART NUMBER	MATERIAL	COLOR	MATERIAL	Suitable XKB Housing
	HOUSING		CONTACT	

DSND	SCALE: N/A	MODEL TYPE:
DWN	VIEW:	PART NO.: K776226WR-X
CHKD	UNIT: mm/in	DWG NO.:
APPD	SIZE: A4	X-K776226WR-X



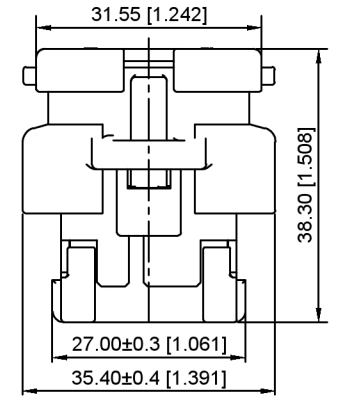
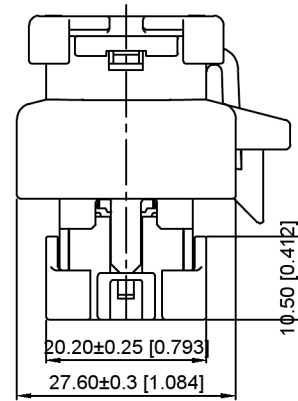
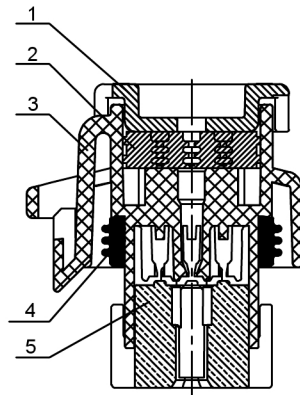
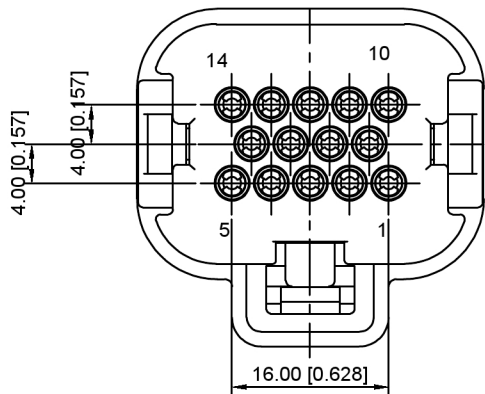
XKB INDUSTRIAL PRECISION CO.,LIMITED

WEIGHT	SHEET	REVISION
	1/1	A0

广东星坤科技股份有限公司

文件工程章

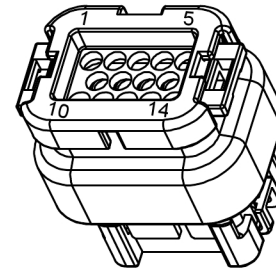
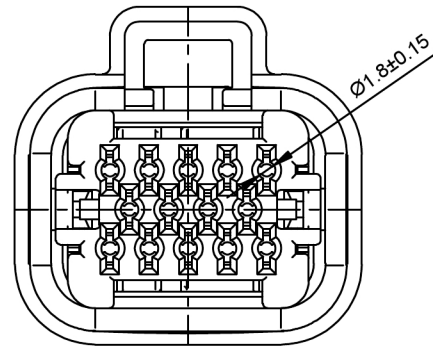
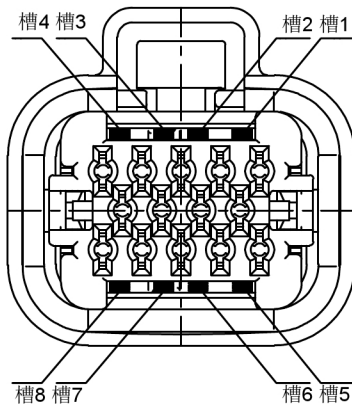
REVISIONS	UNSPECIFIED TOLERANCES
ANGLAR ±5°	
L ≤ 4 ±0.2	
4 < L ≤ 16 ±0.3	
16 < L ≤ 63 ±0.4	
L > 63 ±0.5	
DESCRIPTION	DATE
REVISED	APPROVED
MARK	
DATE	
REVISIONS	
www.helloxkb.com www.helloxkb.cn www.xk-dg.cn	



**K 776273 H - X**

- ① ② ③ ④

- ①K :XKBTEK-Car Connector
- ②XKB Series NO.
- ③Catergory:H-HSG
- ④X:Color



序号	名称	型号	颜色	材料	数量	备注
5	端子锁		红色	PBT	1	
4	橡胶圈		绿色	硅胶	1	
3	主体			PBT	1	
2	橡胶堵		绿色	硅胶	1	
1	上盖		黑色	PBT	1	

Slot position	Color	PART NO	Suitable XKB Terminal	Suitable XKB Terminal
3	7	黑色	K776273H-1	K770520T K776226WR K776262WV
1	6	白色	K776273H-2	
2	8	灰色	K776273H-4	
3	5	蓝色	K776273H-5	

广东星坤科技股份有限公司

日期

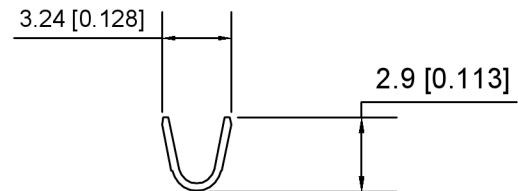
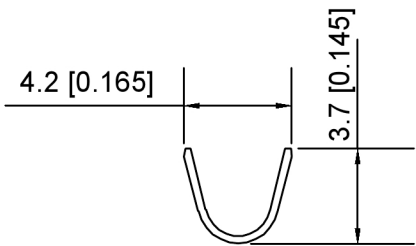
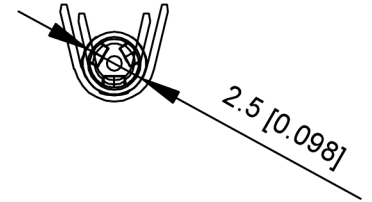
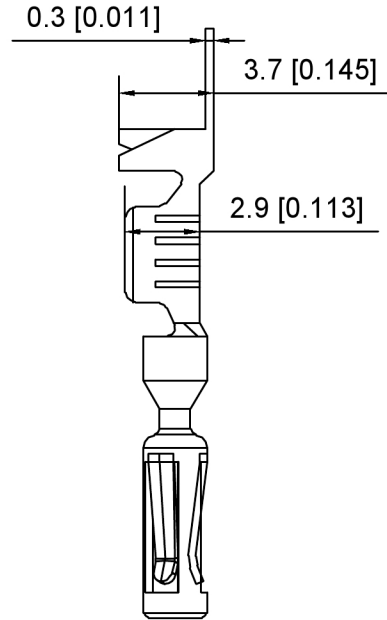
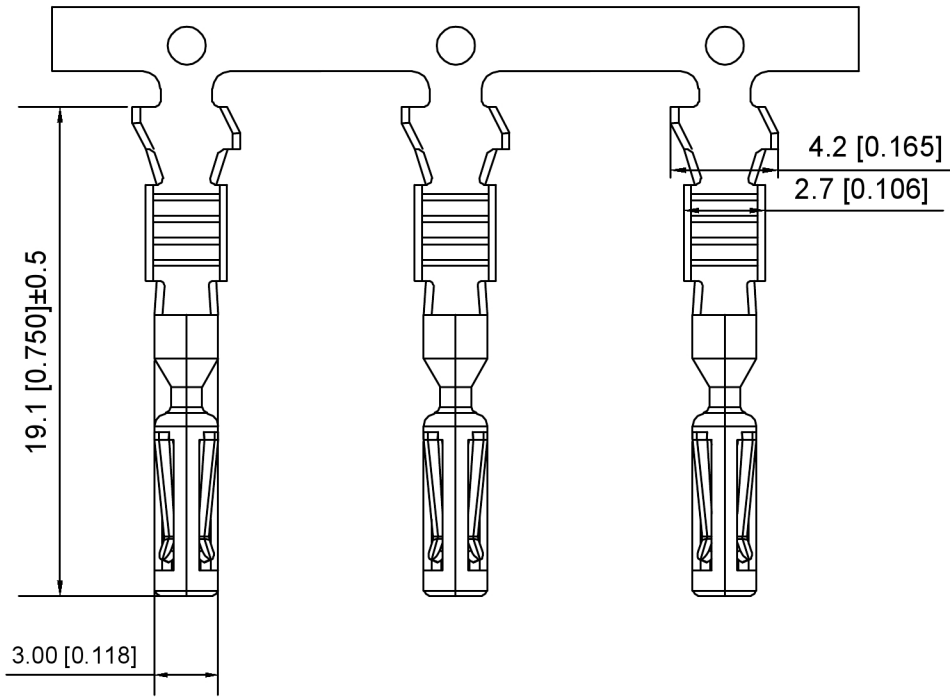
文件工程章

MARK	DESCRIPTION	DATE	REVISED	APPROVED	UNSPECIFIED TOLERANCES
±ΔX					ANGLAR ±5°
ΔX					L ≤ 4 ±0.2
ΔX					4 < L ≤ 16 ±0.3
ΔX					16 < L ≤ 63 ±0.4
MARK					L > 63 ±0.5

DSND	SCALE: N/A	MODEL TYPE:
DWN	VIEW:	PART NO.: K776273H-X
CHKD	UNIT: mm/in	DWG NO.: X-K776273H-X
APPD	SIZE: A4	WEIGHT SHEET REVISION
		1/1 A0



XKLB INDUSTRIAL PRECISION CO., LIMITED



技术要求:

- 1.产品光洁无毛刺，倒角清晰完整，无垫伤，变形，开裂等

K770520T-1	QSn6.5-0.1	AWG#18-20	K770680H
PART No	Matrial	Wire Range	Suitable XKB Housing

广东星坤科技股份有限公司

DATE	DESCRIPTION	DATE	REVISED	APPROVED	UNSPECIFIED TOLERANCES
MARK					
文件工程章					



DSND	SCALE: N/A	MODEL TYPE:
DWN	VIEW:	PART NO.: K770520T-1
CHKD	UNIT: mm/in	DWG NO.: X-K770520T-1
APPD	SIZE: A4	
XKB INDUSTRIAL PRECISION CO., LIMITED		WEIGHT SHEET REVISION
		1/1 A0

## X-ON Electronics

Largest Supplier of Electrical and Electronic Components

*Click to view similar products for [Automotive Connectors](#) category:*

*Click to view products by [XKB](#) manufacturer:*

Other Similar products are found below :

[003-018-000](#) [60993906-B](#) [M902-2131](#) [M902-2161](#) [M902-2344](#) [72.330.1035.1](#) [73.353.4028.0](#) [F166900](#) [F358300-B](#) [F407400](#) [776880-1](#)  
[827153-1](#) [8N1515-32-24P](#) [9-1326729-8](#) [925474-1](#) [928905-1](#) [964562-4](#) [968782-1](#) [98891-1012](#) [12004475-L](#) [12020308](#) [12041318-B](#)  
[12052466](#) [12059716](#) [12064869](#) [12015909](#) [1-21030-1](#) [12041254](#) [12041318](#) [12047946-B](#) [12110546-B](#) [12131792](#) [12084688](#) [12092346](#)  
[HD34-18-14PT](#) [HD46-24-23SN-059](#) [HDB36-24-16PN-059](#) [HDP26-24-9SE-L015](#) [12185280](#) [12185550](#) [12336-12](#) [12191172-B](#) [12S](#)  
[13545280](#) [13577943](#) [13681974](#) [13737722-B](#) [13830674](#) [13832576](#) [13849772](#)