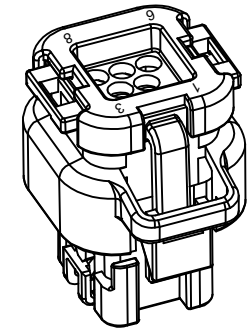
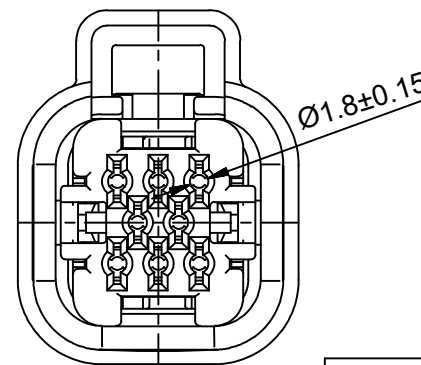
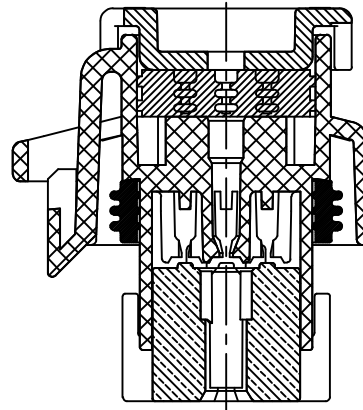
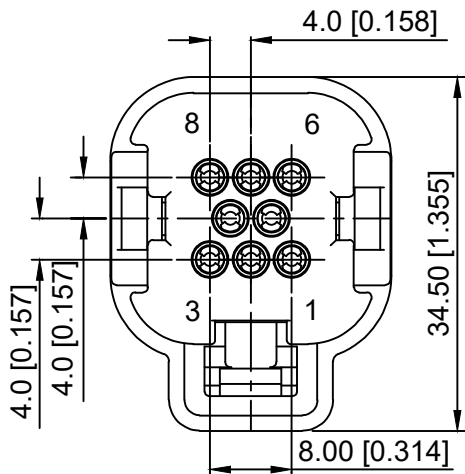


Temperature range: -40°C +125°C  
 温度范围: -40°C +125°C

K 776280 H - XX - PT X  
 ① ② ③ ④ ⑤ ⑥

- 1.K: XKBTEK-Car Connector
- 2.XKB Series No
- 3.Category:H-Housing
- 4.Row No.Pin No:XX-08 Pin
- 5.Material:PT-PBT
- 6.Color:X:B-Black ; W-White ; GY-Gray ; BL-Blue



K776280H-XX-PTX	PBT	K776280W	K776280T
PART NO	Material	Suitable XKB Wafer	Suitable XKB Terminal

DSND	SCALE: N/A	MODEL TYPE: 4.0mm Automobile connector
DWN	VIEW:	PART NO.: K776280H-XX-PTX
CHKD	UNIT: mm/in	DWG NO.: X-K776280H-XX-PTX
APPD	SIZE: A4	WEIGHT SHEET REVISION



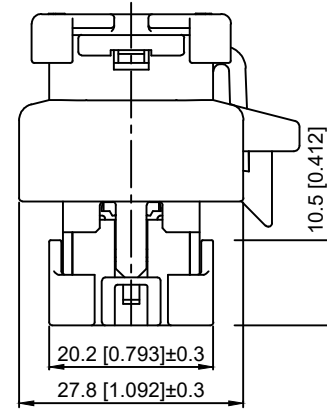
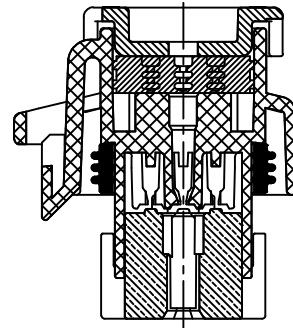
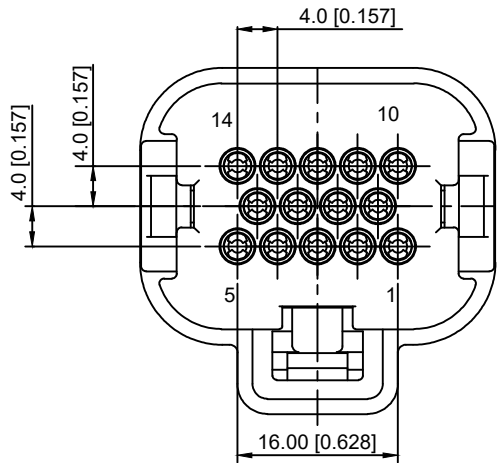
XKB INDUSTRIAL PRECISION CO., LIMITED

ANGLAR	±5°
L ≤ 4	±0.2
4 < L ≤ 16	±0.3
16 < L ≤ 63	±0.4
L > 63	±0.5

UNSPECIFIED TOLERANCES

MARK	DESCRIPTION	DATE	REVISED	APPROVED
ΔX				
ΔX				
ΔX				

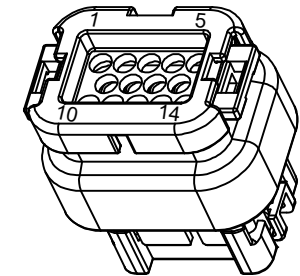
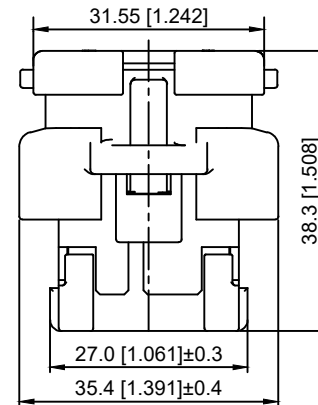
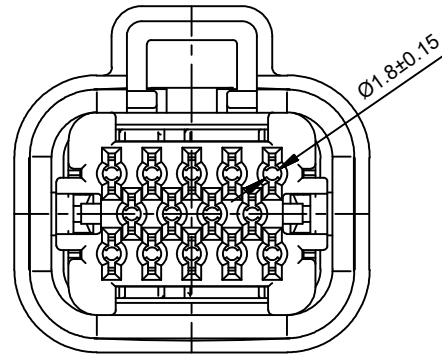
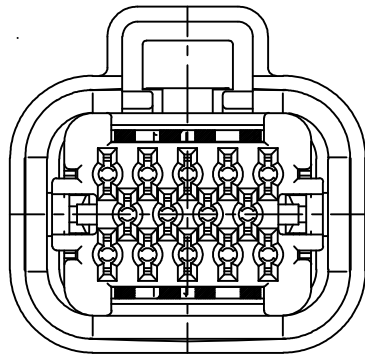
REVISIONS



Temperature range: -40°C - +125°C  
 温度范围: -40°C - +125°C

**K** 776280 **H** - XX - PT **X**  
 ① ② ③ ④ ⑤ ⑥

- 1.K: XKBTEK-Car Connector
- 2.XKB Series No
- 3.Category:H-Housing
- 4.Row No.Pin No:XX-14 Pin
- 5.Material:PT-PBT
- 6.Color:X:B-Black ; W-White ; GY-Gray ; BL-Blue



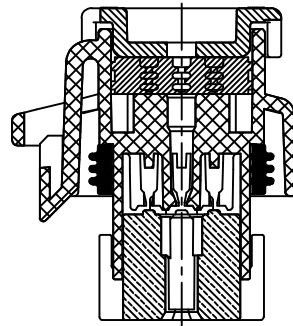
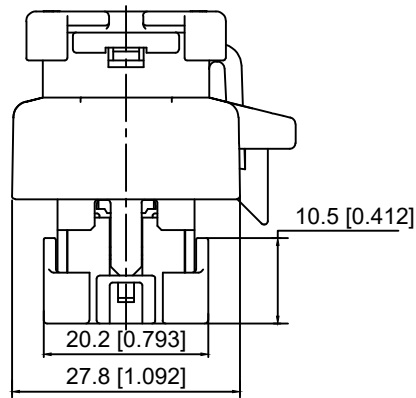
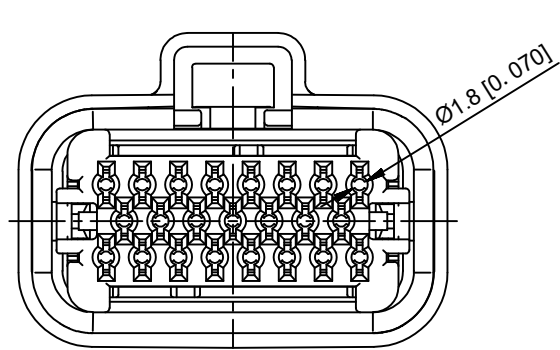
K776280H-XX-PTX	PBT	K776280W	K776280T
PART NO	Material	Suitable XKB Wafer	Suitable XKB Terminal

DSND	SCALE: N/A	MODEL TYPE: 4.0mm Automobile connector
DWN	VIEW:	PART NO.: K776280H-XX-PTX
CHKD	UNIT: mm/in	DWG NO.: X-K776280H-XX-PTX
APPD	SIZE: A4	WEIGHT SHEET REVISION
		1/1 A0

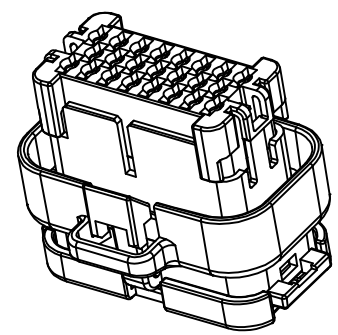
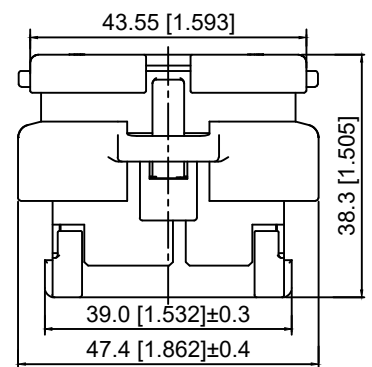
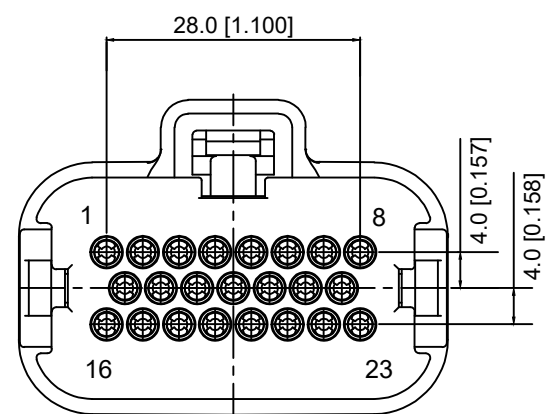


XKB INDUSTRIAL PRECISION CO.,LIMITED

					ANGLAR	±5°
ΔX					L ≤ 4	±0.2
ΔX					4 < L ≤ 16	±0.3
ΔX					16 < L ≤ 63	±0.4
MARK	DESCRIPTION	DATE	REVISED	APPROVED	L > 63	±0.5
REVISIONS					UNSPECIFIED TOLERANCES	



Temperature range: -40°C +125°C  
 温度范围: -40°C +125°C



**K 776280 H - XX - PT X**  
 ① ② ③ ④ ⑤ ⑥

- 1.K: XKBTEK-Car Connector
- 2.XKB Series No
- 3.Category:H-Housing
- 4.Row No.Pin No:XX-23 Pin
- 5.Material:PT-PBT
- 6.Color:X:B-Black ; W-White ; GY-Gray ; BL-Blue

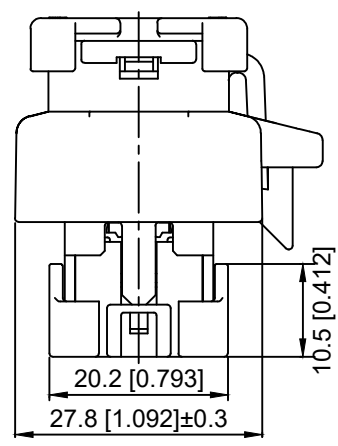
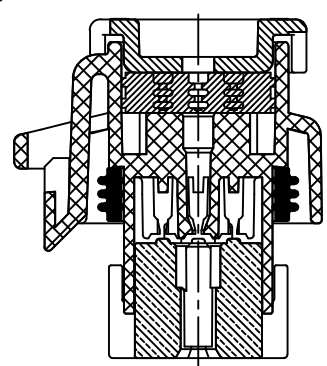
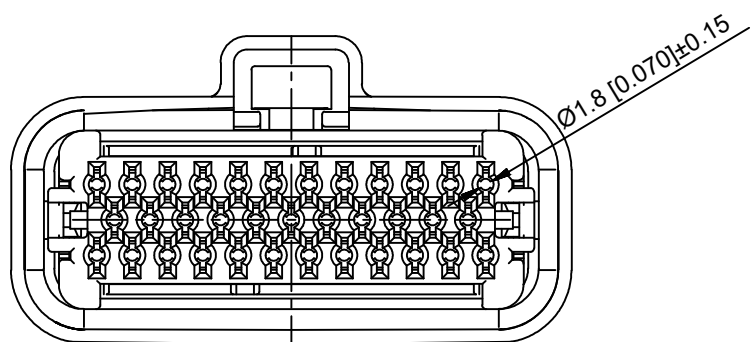
K776280H-XX-PTX	PBT	K776280W	K776280T
PART NO	Material	Suitable XKB Wafer	Suitable XKB Terminal

					ANGLAR	±5°
ΔX					L ≤ 4	±0.2
ΔX					4 < L ≤ 16	±0.3
ΔX					16 < L ≤ 63	±0.4
MARK	DESCRIPTION	DATE	REVISED	APPROVED	L > 63	±0.5
REVISIONS					UNSPECIFIED TOLERANCES	



DSND		SCALE: N/A	MODEL TYPE:
DWN		VIEW:	4.0mm Automobile connector
CHKD		UNIT: mm/in	PART NO.:
APPD		SIZE: A4	K776280H-XX-PTX
			DWG NO.:
			X-K776280H-XX-PTX
		WEIGHT	SHEET
			REVISION
		1/1	A0

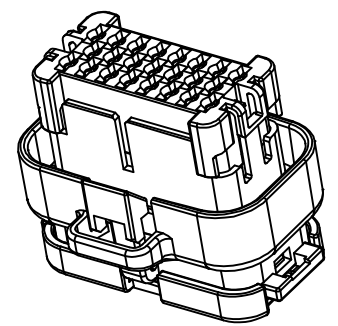
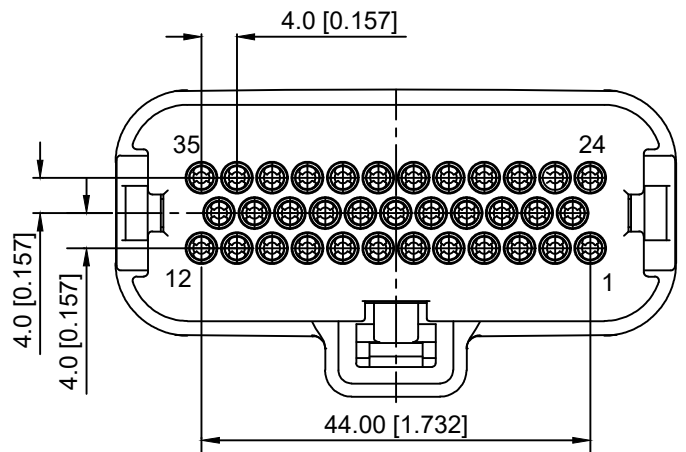
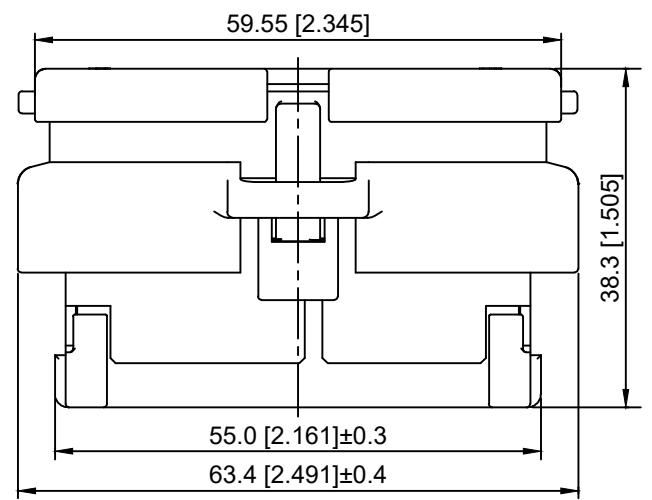
XKB INDUSTRIAL PRECISION CO.,LIMITED



Temperature range: -40°C-+125°C  
 温度范围: -40°C-+125°C

K 776280 H - XX - PT X  
 ① ② ③ ④ ⑤ ⑥

- 1.K: XKBTEK-Car Connector
- 2.XKB Series No
- 3.Category:H-Housing
- 4.Row No.Pin No:XX-35 Pin
- 5.Material:PT-PBT
- 6.Color:X:B-Black ; W-White ; GY-Gray ; BL-Blue



K776280H-XX-PTX	PBT	K776280W	K776280T
PART NO	Material	Suitable XKB Wafer	Suitable XKB Terminal

DSND	SCALE: N/A	MODEL TYPE: 4.0mm Automobile connector
DWN	VIEW:	PART NO.: K776280H-XX-PTX
CHKD	UNIT: mm/in	DWG NO.: X-K776280H-XX-PTX
APPD	SIZE: A4	

					ANGLAR	±5°
ΔX					L ≤ 4	±0.2
ΔX					4 < L ≤ 16	±0.3
ΔX					16 < L ≤ 63	±0.4
MARK	DESCRIPTION	DATE	REVISED	APPROVED	L > 63	±0.5
REVISIONS					UNSPECIFIED TOLERANCES	
www.helloxkb.com www.helloxkb.cn www.xk-dg.cn						



XKB INDUSTRIAL PRECISION CO., LIMITED

WEIGHT	SHEET	REVISION
	1/1	A0

## X-ON Electronics

Largest Supplier of Electrical and Electronic Components

*Click to view similar products for [Automotive Connectors](#) category:*

*Click to view products by [XKB](#) manufacturer:*

Other Similar products are found below :

[003-018-000](#) [60993906-B](#) [72.330.1035.1](#) [776880-1](#) [827153-1](#) [9-1326729-8](#) [9-221607-5](#) [925474-1](#) [928905-1](#) [964562-4](#) [968782-1](#) [12004468](#)  
[12004475-L](#) [12004483](#) [12052466](#) [12066163](#) [12015909](#) [12077753](#) [1-21030-1](#) [12047957](#) [12047958](#) [12084688](#) [12185550](#) [12336-12](#) [1-](#)  
[326211-1](#) [13681974](#) [13688972](#) [13755420](#) [13779834](#) [13783086](#) [13843152](#) [13522378](#) [13581967](#) [13669624](#) [13675513](#) [13753471](#) [13946876](#)  
[13953457](#) [13955963](#) [13964573](#) [13971791](#) [13790534-L](#) [13797473](#) [13805590](#) [13888202](#) [1428188-1](#) [1437287-3](#) [1428188-2](#) [DS07-19S-5020](#)  
[1456983-5](#)