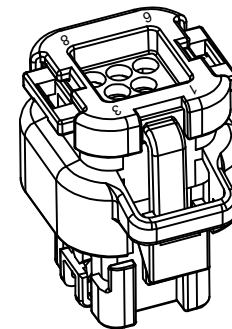
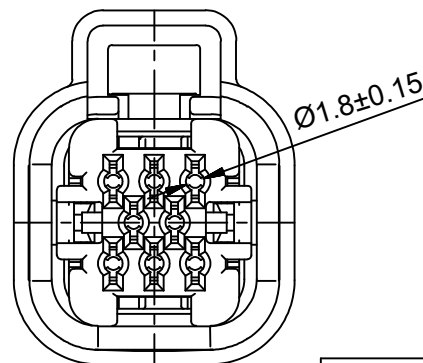
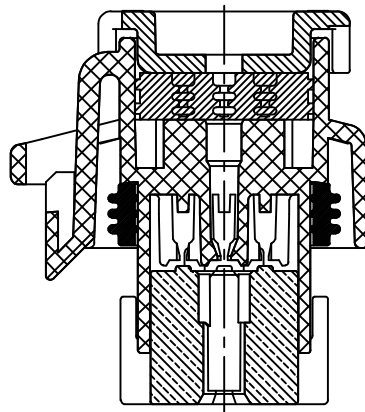
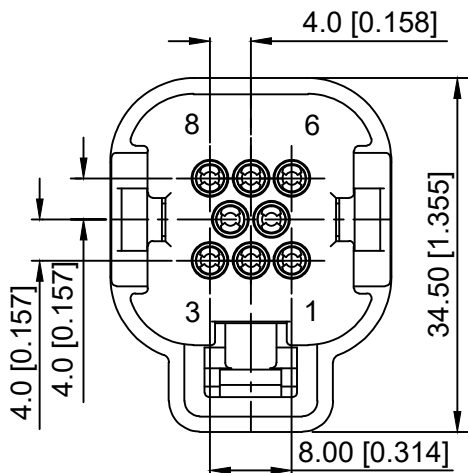


Temperature range: -40°C +125°C
 温度范围: -40°C +125°C

K 776280 H - XX - PT X
 ① ② ③ ④ ⑤ ⑥

- 1.K: XKBTEK-Car Connector
- 2.XKB Series No
- 3.Category:H-Housing
- 4.Row No.Pin No:XX-08 Pin
- 5.Material:PT-PBT
- 6.Color:X:B-Black ; W-White ; GY-Gray ; BL-Blue



K776280H-XX-PTX	PBT	K776280W	K776280T
PART NO	Material	Suitable XKB Wafer	Suitable XKB Terminal

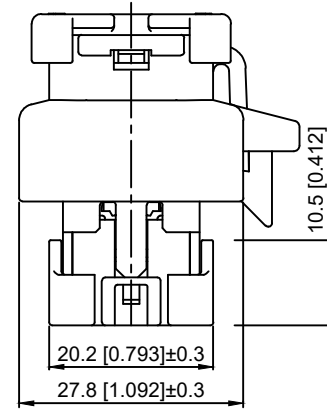
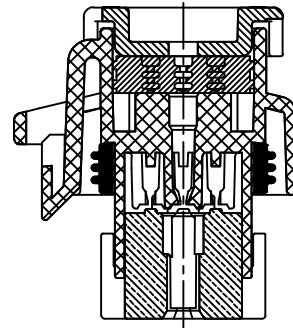
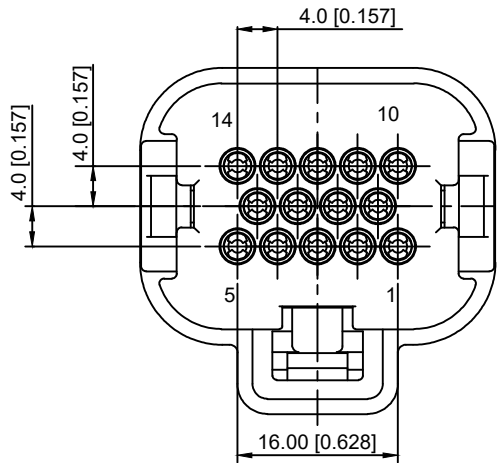
DSND	SCALE: N/A	MODEL TYPE: 4.0mm Automobile connector
DWN	VIEW:	PART NO.: K776280H-XX-PTX
CHKD	UNIT: mm/in	DWG NO.: X-K776280H-XX-PTX
APPD	SIZE: A4	WEIGHT SHEET REVISION



XKB INDUSTRIAL PRECISION CO., LIMITED

ANGLAR	±5°
L ≤ 4	±0.2
4 < L ≤ 16	±0.3
16 < L ≤ 63	±0.4
L > 63	±0.5

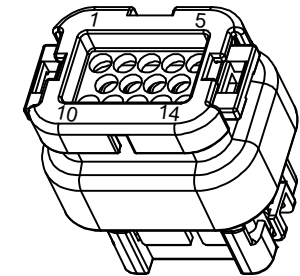
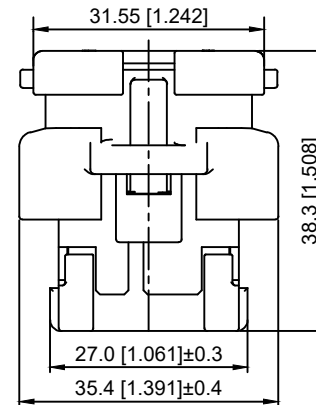
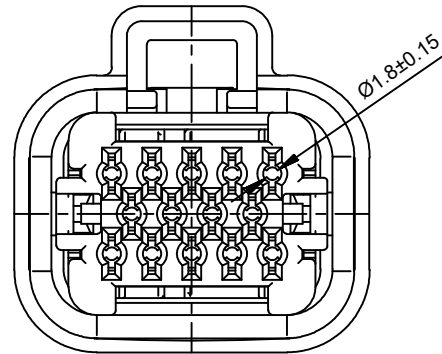
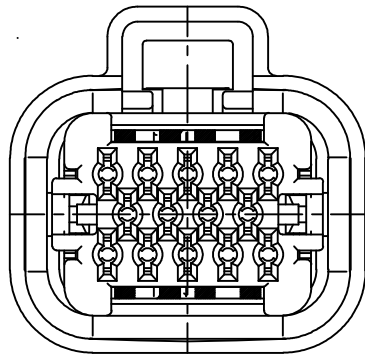
UNSPECIFIED TOLERANCES



Temperature range: -40°C - +125°C
 温度范围: -40°C - +125°C

K 776280 H - XX - PT X
 ① ② ③ ④ ⑤ ⑥

- 1.K: XKBTEK-Car Connector
- 2.XKB Series No
- 3.Category:H-Housing
- 4.Row No.Pin No:XX-14 Pin
- 5.Material:PT-PBT
- 6.Color:X:B-Black ; W-White ; GY-Gray ; BL-Blue



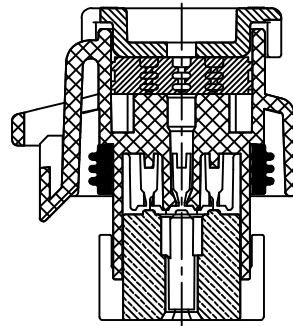
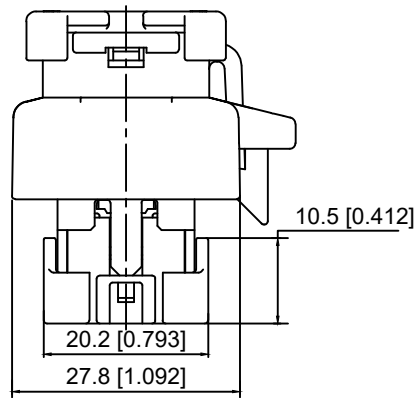
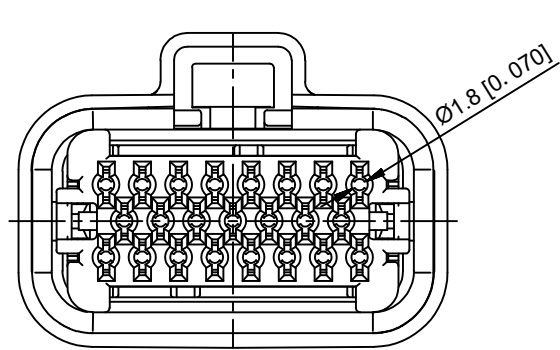
K776280H-XX-PTX	PBT	K776280W	K776280T
PART NO	Material	Suitable XKB Wafer	Suitable XKB Terminal

DSND	SCALE: N/A	MODEL TYPE: 4.0mm Automobile connector
DWN	VIEW:	PART NO.: K776280H-XX-PTX
CHKD	UNIT: mm/in	DWG NO.: X-K776280H-XX-PTX
APPD	SIZE: A4	WEIGHT SHEET REVISION
		1/1 A0

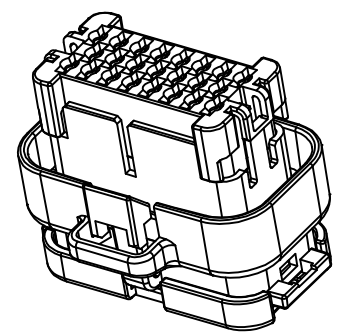
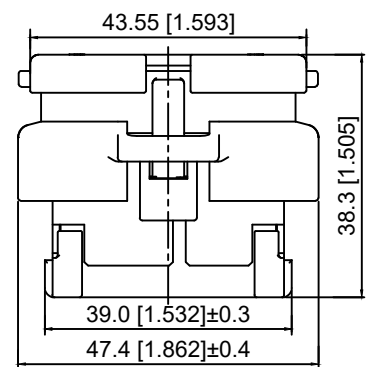
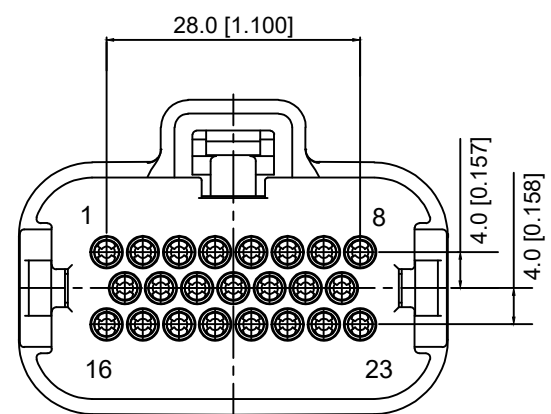


XKB INDUSTRIAL PRECISION CO.,LIMITED

MARK	DESCRIPTION	DATE	REVISED	APPROVED	UNSPECIFIED TOLERANCES
					ANGLAR ±5°
ΔX					L ≤ 4 ±0.2
ΔX					4 < L ≤ 16 ±0.3
ΔX					16 < L ≤ 63 ±0.4
MARK					L > 63 ±0.5



Temperature range: -40°C +125°C
 温度范围: -40°C +125°C



K 776280 H - XX - PT X
 ① ② ③ ④ ⑤ ⑥

- 1.K: XKBTEK-Car Connector
- 2.XKB Series No
- 3.Category:H-Housing
- 4.Row No.Pin No:XX-23 Pin
- 5.Material:PT-PBT
- 6.Color:X:B-Black ; W-White ; GY-Gray ; BL-Blue

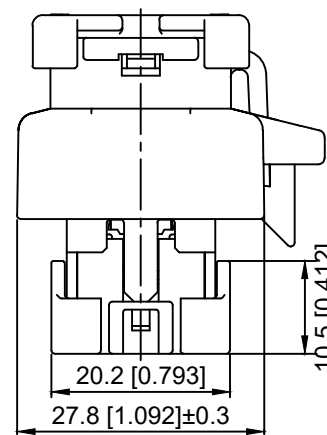
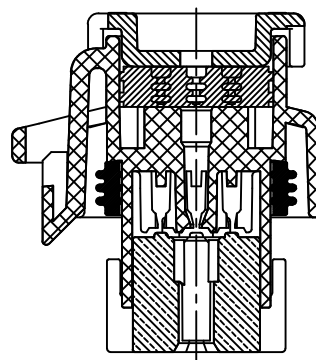
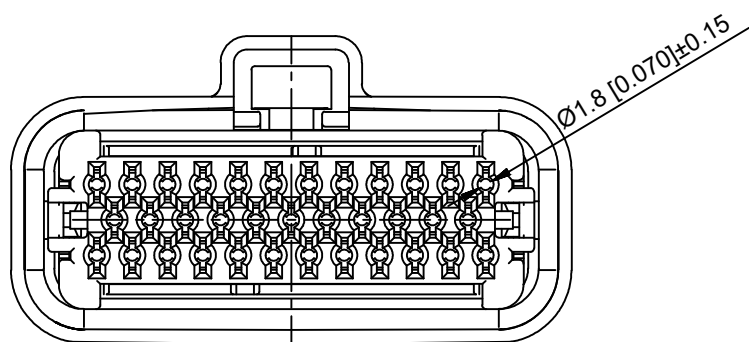
K776280H-XX-PTX	PBT	K776280W	K776280T
PART NO	Material	Suitable XKB Wafer	Suitable XKB Terminal

MARK	DESCRIPTION	DATE	REVISED	APPROVED	UNSPECIFIED TOLERANCES
ΔX					ANGULAR ±5°
ΔX					L ≤ 4 ±0.2
ΔX					4 < L ≤ 16 ±0.3
					16 < L ≤ 63 ±0.4
					L > 63 ±0.5



DSND		SCALE: N/A	MODEL TYPE: 4.0mm Automobile connector
DWN		VIEW:	PART NO.: K776280H-XX-PTX
CHKD		UNIT: mm/in	DWG NO.: X-K776280H-XX-PTX
APPD		SIZE: A4	REVISION
			WEIGHT
			SHEET
			REVISION

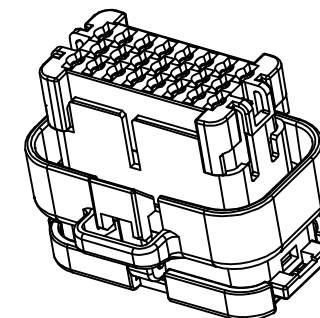
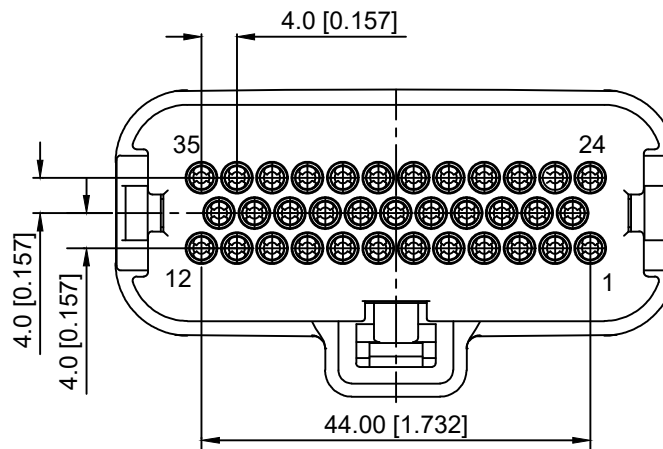
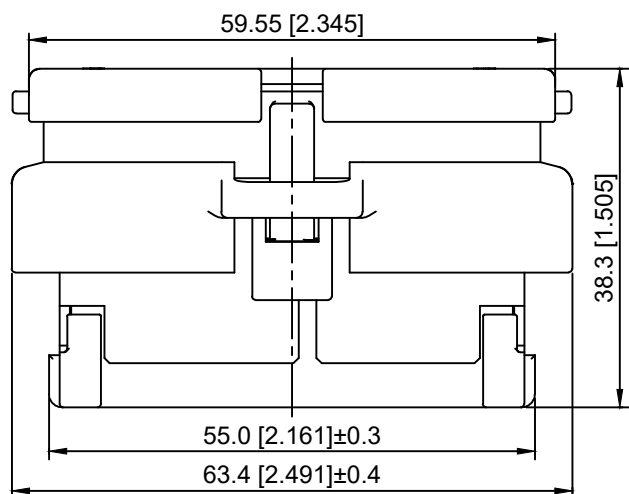
XKB INDUSTRIAL PRECISION CO., LIMITED



Temperature range:-40°C-+125°C
 温度范围: -40°C-+125°C

K 776280 H - XX - PT X
 ① ② ③ ④ ⑤ ⑥

- 1.K: XKBTEK-Car Connector
- 2.XKB Series No
- 3.Category:H-Housing
- 4.Row No.Pin No:XX-35 Pin
- 5.Material:PT-PBT
- 6.Color:X:B-Black ; W-White ; GY-Gray ; BL-Blue



K776280H-XX-PTX	PBT	K776280W	K776280T
PART NO	Material	Suitable XKB Wafer	Suitable XKB Terminal

DSND	SCALE: N/A	MODEL TYPE: 4.0mm Automobile connector		
DWN	VIEW:	PART NO.: K776280H-XX-PTX		
CHKD	UNIT: mm/in	DWG NO.: X-K776280H-XX-PTX		
APPD	SIZE: A4	WEIGHT	SHEET	REVISION
			1/1	A0



XKB INDUSTRIAL PRECISION CO.,LIMITED

					ANGLAR	±5°
ΔX					L ≤ 4	±0.2
ΔX					4 < L ≤ 16	±0.3
ΔX					16 < L ≤ 63	±0.4
MARK	DESCRIPTION	DATE	REVISED	APPROVED	L > 63	±0.5
REVISIONS					UNSPECIFIED TOLERANCES	
www.helloxkb.com www.helloxkb.cn www.xk-dg.cn						

X-ON Electronics

Largest Supplier of Electrical and Electronic Components

Click to view similar products for [Automotive Connectors](#) category:

Click to view products by [XKB](#) manufacturer:

Other Similar products are found below :

[003-018-000](#) [60993906-B](#) [72.330.1035.1](#) [F358300-B](#) [F407400](#) [776880-1](#) [827153-1](#) [8N1515-32-24P](#) [9-1326729-8](#) [925474-1](#) [928905-1](#)
[964562-4](#) [968782-1](#) [98891-1012](#) [12004468](#) [12004475-L](#) [12020219-B](#) [12052466](#) [12066163](#) [12015909](#) [1-21030-1](#) [12041318](#) [12047957](#)
[12047958](#) [12089953](#) [12185550](#) [12336-12](#) [1-326211-1](#) [13681974](#) [13783086](#) [13832576](#) [13843152](#) [13522378](#) [13669624](#) [13675513](#) [13946876](#)
[13971791](#) [13790534-L](#) [13805590](#) [1428188-1](#) [1437287-3](#) [1428188-2](#) [DS07-19S-5020](#) [1456983-5](#) [1456987-7](#) [APD-7CP-H](#) [APK-SB25A10L](#)
[1452931-2](#) [15435215](#) [15491972](#)