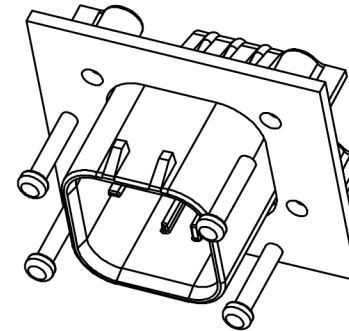
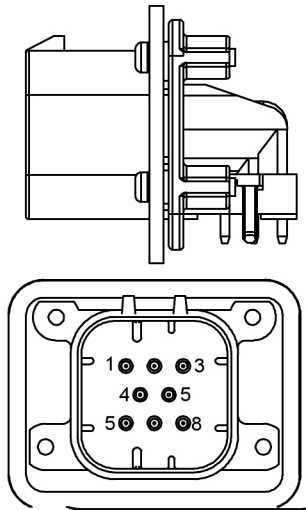
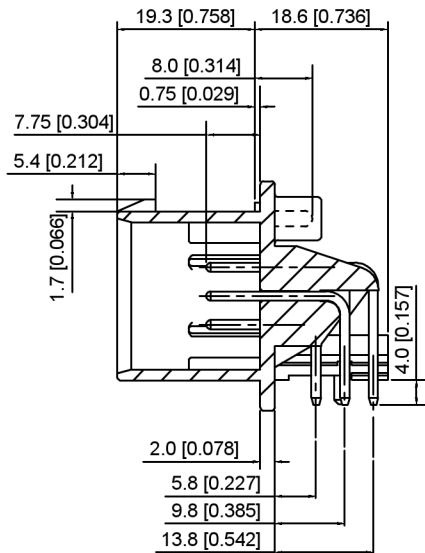


Current rating: 7A AC/DC
 额定电流: 7A AC/DC
 Temperature range: -40°C ~ +85°C
 温度范围: -40°C ~ +85°C



K 776280 W R - XX - PT XX X
 ① ② ③ ④ ⑤ ⑥ ⑦ ⑧

- 1.K: XKBTEK-Car Connector
- 2.XKB Series No
- 3.Category:W-Wafer
- 4.Welding Board Range:R-Straight 90°
- 5.Row No.Pin No:XX-08 Pin
- 6.Material:PT-PBT
- 7.Palting:V01-Gold Flash ;SN-Plated Tin
- 8.Color:X:B-Black ; W-White ; GY-Gray ; BL-Blue

K776280WR-XX-PTXXX	PBT	Brass	K776280H
PART NO	Material	Material(Pin)	Suitable XKB Housing

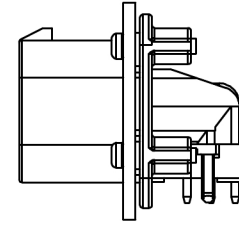
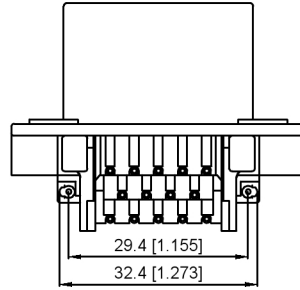
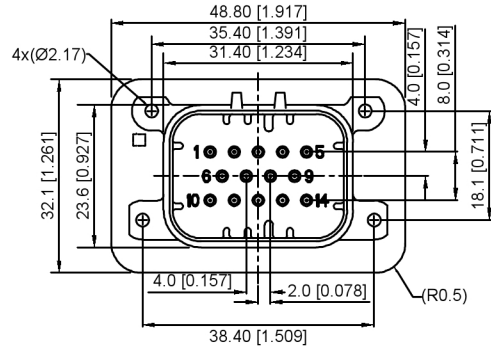
DSND	SCALE: N/A	MODEL TYPE: 4.0mm automotive connector
DWN	VIEW:	PART NO.: K776280WR-XX-PTXXX
CHKD	UNIT: mm/in	DWG NO.: X-K776280WR-XX-PTXXX
APPD	SIZE: A4	



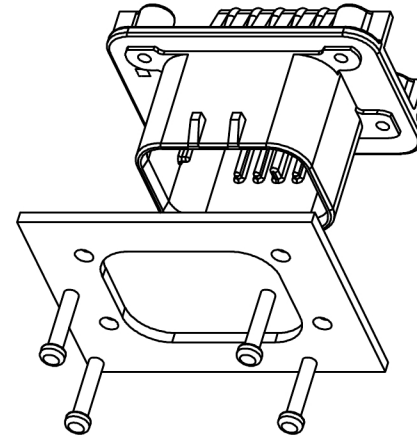
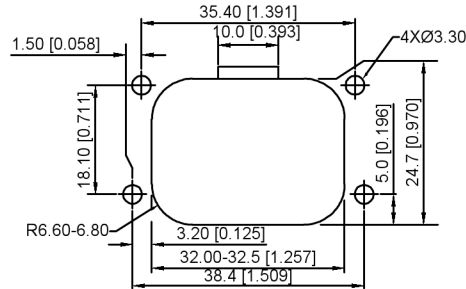
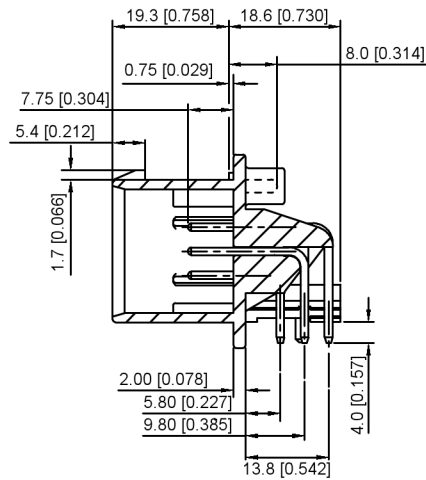
XKB INDUSTRIAL PRECISION CO., LIMITED

WEIGHT	SHEET	REVISION
	1/1	A0

					ANGULAR	±5°
Δx					L ≤ 4	±0.2
Δx					4 < L ≤ 16	±0.3
Δx					16 < L ≤ 63	±0.4
MARK	DESCRIPTION	DATE	REVISED	APPROVED	L > 63	±0.5
REVISIONS					UNSPECIFIED TOLERANCES	
www.helloxkb.com www.helloxkb.cn www.xk-dg.cn						

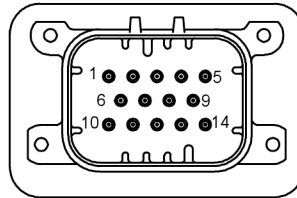


Current rating:7A AC/DC
 额定电流: 7A AC/DC
 Temperature range:-40°C~+85°C
 温度范围: -40°C~+85°C



K 776280 W R - XX - PT XX X
 ① ② ③ ④ ⑤ ⑥ ⑦ ⑧

- 1.K: XKBTEK-Car Connector
- 2.XKB Series No
- 3.Category:W-Wafer
- 4.Welding Board Angle:R-Stright 90°
- 5.Row No.Pin No:XX-14 Pin
- 6.Material:PT-PBT
- 7.Palting:V01-Gold Flash ;SN-Plated Tin
- 8.Color:X:B-Black ; W-White ; GY-Gray ; BL-Blue



K776280WR-XX-PTXXX	PBT	Brass	K776280H
PART NO	Material	Material(Pin)	Suitable XKB Housing

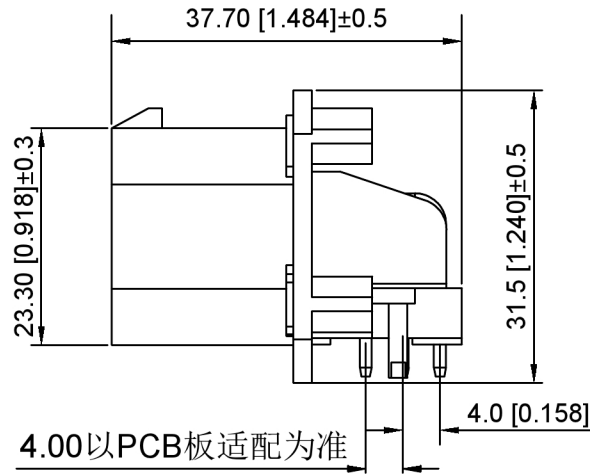
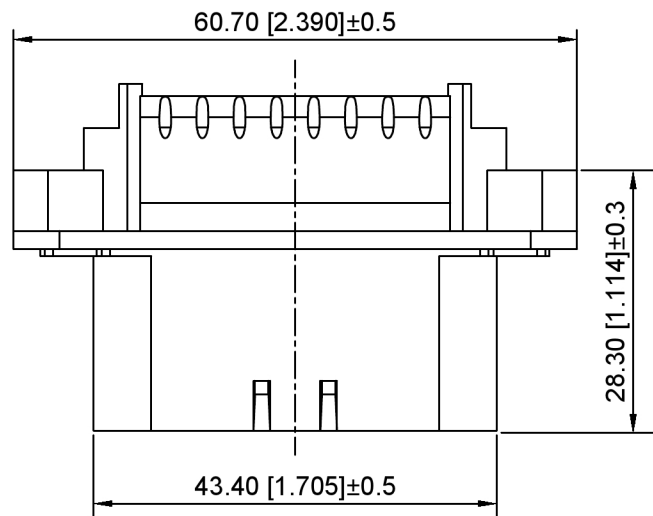
DSND	SCALE: N/A	MODEL TYPE: 4.0mm automotive connector
DWN	VIEW:	PART NO.: K776280WR-XX-PTXXX
CHKD	UNIT: mm/in	DWG NO.: X-K776280WR-XX-PTXXX
APPD	SIZE: A4	

					ANGLAR	±5°
ΔX					L ≤ 4	±0.2
ΔX					4 < L ≤ 16	±0.3
ΔX					16 < L ≤ 63	±0.4
MARK	DESCRIPTION	DATE	REVISED	APPROVED	L > 63	±0.5
REVISIONS					UNSPECIFIED TOLERANCES	



XKB INDUSTRIAL PRECISION CO., LIMITED

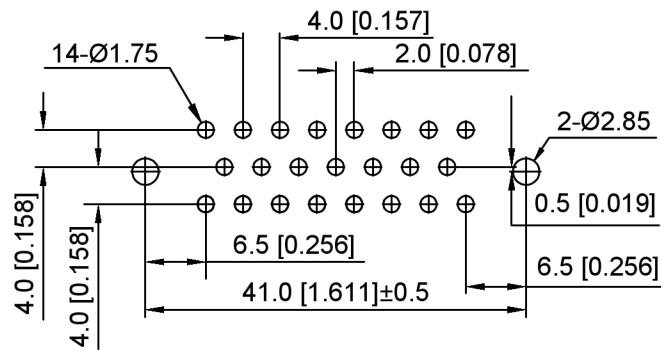
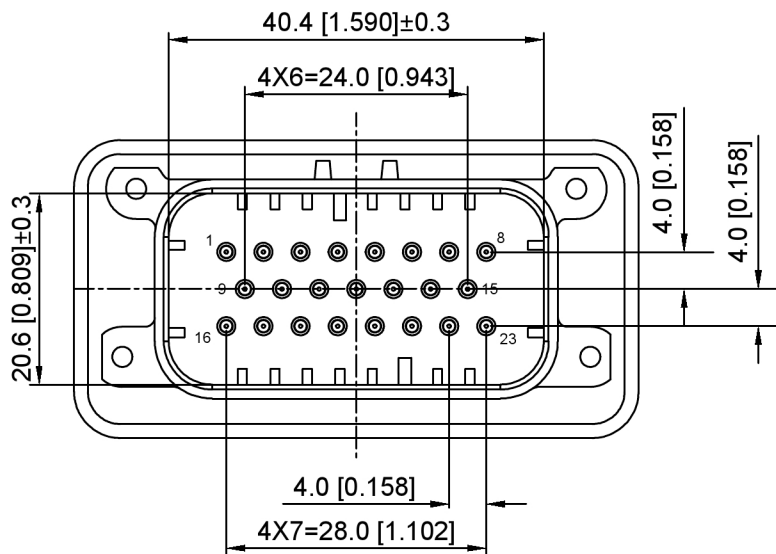
WEIGHT	SHEET	REVISION
	1/1	A0



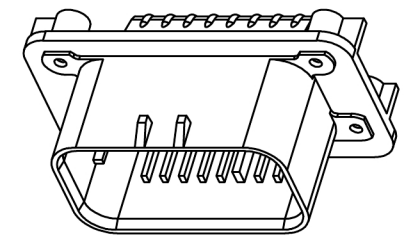
Current rating: 7A AC/DC
 额定电流: 7A AC/DC
 Temperature range: -40°C~+85°C
 温度范围: -40°C~+85°C

K 776280 W R - XX - PT XX X
 ① ② ③ ④ ⑤ ⑥ ⑦ ⑧

- 1.K: XKBTEK-Car Connector
- 2.XKB Series No
- 3.Category:W-Wafer
- 4.Welding Board Angle:R-Stright 90°
- 5.Row No.Pin No:XX-23 Pin
- 6.Material:PT-PBT
- 7.Palting:V01-Gold Flash ;SN-Plated Tin
- 8.Color:X:B-Black ; W-White ;
GY-Gray ; BL-Blue



PCB LAYOUT



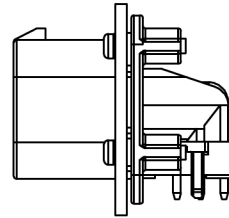
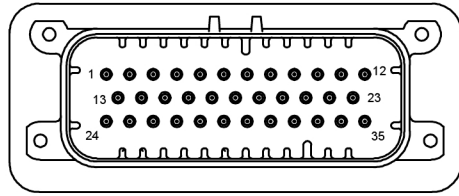
K776280WR-XX-PTXXX	PBT	Brass	K776280H
PART NO	Material	Material(Pin)	Suitable XKB Housing

DSND	SCALE: N/A	MODEL TYPE: 4.0mm automotive connector
DWN	VIEW:	PART NO.: K776280WR-XX-PTXXX
CHKD	UNIT: mm/in	DWG NO.: X-K776280WR-XX-PTXXX
APPD	SIZE: A4	WEIGHT SHEET REVISION

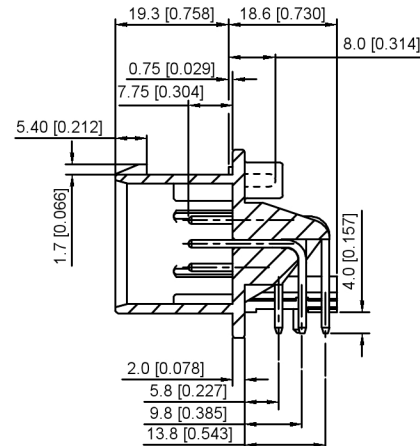
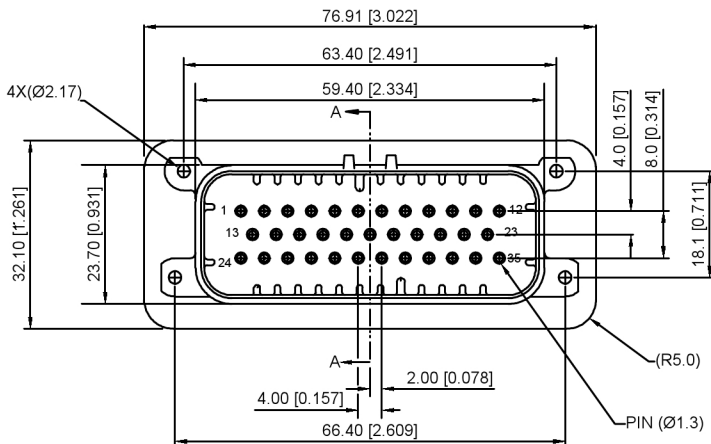
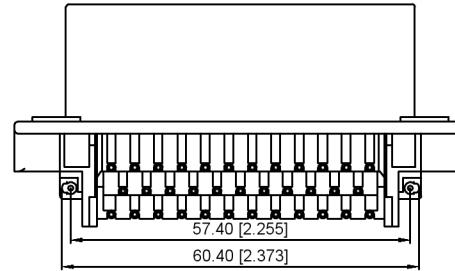
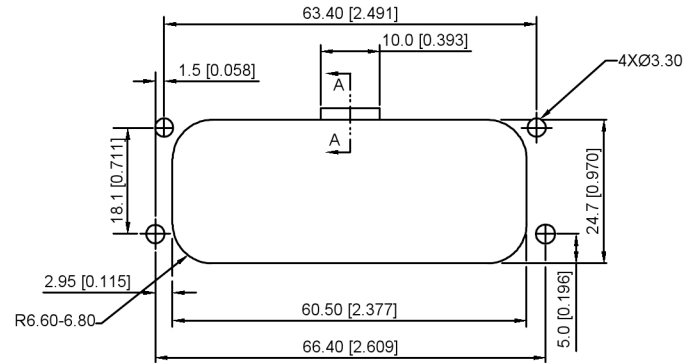


XKB INDUSTRIAL PRECISION CO., LIMITED

					ANGLAR	±5°
ΔX					L ≤ 4	±0.2
ΔX					4 < L ≤ 16	±0.3
ΔX					16 < L ≤ 63	±0.4
MARK	DESCRIPTION	DATE	REVISED	APPROVED	L > 63	±0.5
REVISIONS					UNSPECIFIED TOLERANCES	



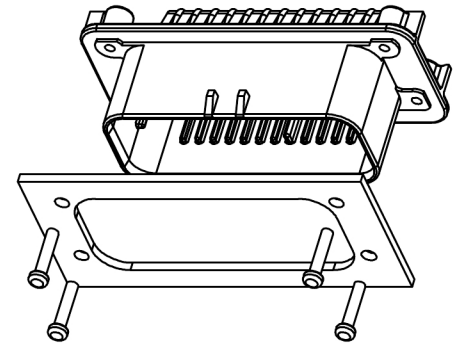
Current rating: 7A AC/DC
 额定电流: 7A AC/DC
 Temperature range: -40°C ~ +85°C
 温度范围: -40°C ~ +85°C



SECTION A-A

K 776280 W R - XX - PT XX X
 ① ② ③ ④ ⑤ ⑥ ⑦ ⑧

- 1.K: XKBTEK-Car Connector
- 2.XKB Series No
- 3.Category:W-Wafer
- 4.Welding Board Angle:R-Stright 90°
- 5.Row No.Pin No:XX-35 Pin
- 6.Material:PT-PBT
- 7.Palting:V01-Gold Flash ;SN-Plated Tin
- 8.Color:X:B-Black ; W-White ; GY-Gray ; BL-Blue



K776280WR-XX-PTXXX	PBT	Brass	K776280H
PART NO	Material	Material(Pin)	Suitable XKB Housing

DSND	SCALE: N/A	MODEL TYPE: 4.0mm automotive connector
DWN	VIEW:	PART NO.: K776280WR-XX-PTXXX
CHKD	UNIT: mm/in	DWG NO.: X-K776280WR-XX-PTXXX
APPD	SIZE: A4	

XKB INDUSTRIAL PRECISION CO., LIMITED		WEIGHT	SHEET	REVISION
			1/1	A0

ANGLAR	±5°
L ≤ 4	±0.2
4 < L ≤ 16	±0.3
16 < L ≤ 63	±0.4
L > 63	±0.5
UNSPECIFIED TOLERANCES	



MARK	DESCRIPTION	DATE	REVISED	APPROVED
ΔX				
ΔX				
ΔX				
REVISIONS				

X-ON Electronics

Largest Supplier of Electrical and Electronic Components

Click to view similar products for [Automotive Connectors](#) category:

Click to view products by [XKB](#) manufacturer:

Other Similar products are found below :

[003-018-000](#) [60993906-B](#) [72.330.1035.1](#) [F358300-B](#) [F407400](#) [776880-1](#) [827153-1](#) [8N1515-32-24P](#) [9-1326729-8](#) [925474-1](#) [928905-1](#)
[964562-4](#) [968782-1](#) [98891-1012](#) [12004468](#) [12004475-L](#) [12020219-B](#) [12052466](#) [12066163](#) [12015909](#) [1-21030-1](#) [12041318](#) [12047957](#)
[12047958](#) [12089953](#) [12185550](#) [12336-12](#) [1-326211-1](#) [13681974](#) [13783086](#) [13832576](#) [13843152](#) [13522378](#) [13669624](#) [13675513](#) [13946876](#)
[13971791](#) [13790534-L](#) [13805590](#) [1428188-1](#) [1437287-3](#) [1428188-2](#) [DS07-19S-5020](#) [1456983-5](#) [1456987-7](#) [APD-7CP-H](#) [APK-SB25A10L](#)
[1452931-2](#) [15435215](#) [15491972](#)