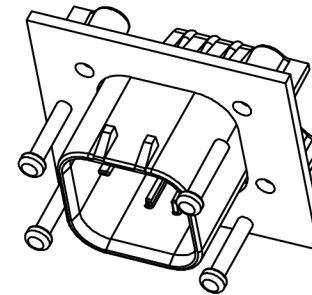
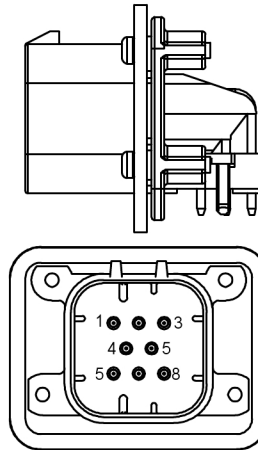
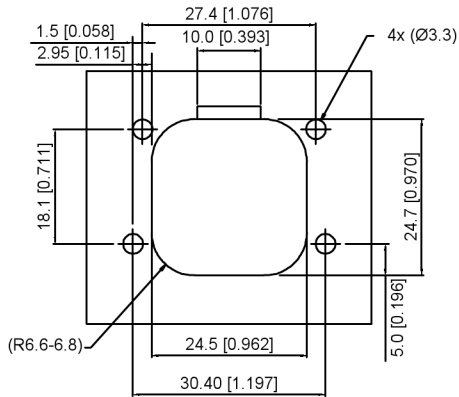


- Technical Features:
- 1.No. of Positions:23P
  - 2.The Mating Female Housing
  - 3.Current Rating:8A
  - 4.Temperature Range :-40℃ to 125℃
  - 5.Fully sealed and submersible IP67 rating

**K 776280 WR-X**  
 ① ② ③ ④ ⑤

- ① K :XKBTEK-Car Connector
- ② XKB Series N0.
- ③ Category:W-Wafer
- ④ Welding Board Angle:R-Right Angle 90°
- ⑤ X:Color



金	白色	K1776280WR-2
金	黑色	K1776280WR-1
锡	白色	K776280WR-2
锡	黑色	K776280WR-1
电镀	颜色	型号

K776280WR-X	PBT	BLACK	BRASS	K770680H
PART NUMBER	MATERIAL	COLOR	MATERIAL	Suitable XKB Housing
	HOUSING		CONTACT	

DSND	SCALE: N/A	MODEL TYPE:
DWN	VIEW:	PART NO.: K776280WR-X
CHKD	UNIT: mm/in	DWG NO.: X-K776280WR-X
APPD	SIZE: A4	WEIGHT SHEET REVISION
UNSPECIFIED TOLERANCES		1/1 A0



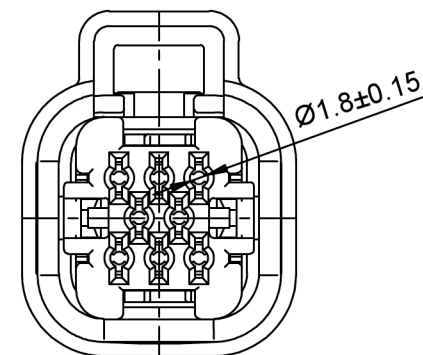
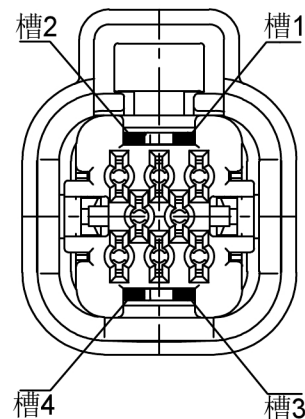
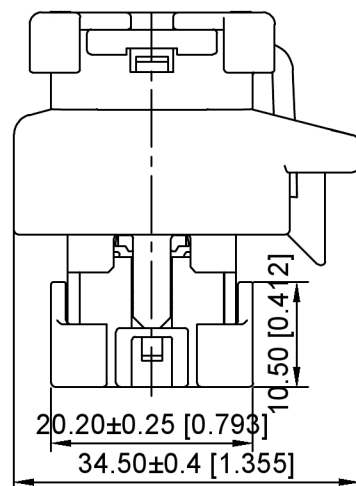
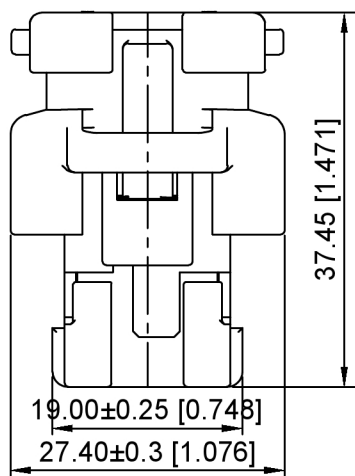
XKB INDUSTRIAL PRECISION CO.,LIMITED

广东星坤科技股份有限公司

文件工程章

ANGLAR	±5°
L ≤ 4	±0.2
4 < L ≤ 16	±0.3
16 < L ≤ 63	±0.4
L > 63	±0.5
UNSPECIFIED TOLERANCES	

www.helloxkb.com www.helloxkb.cn www.xk-dg.cn



**K 776286 H - X**

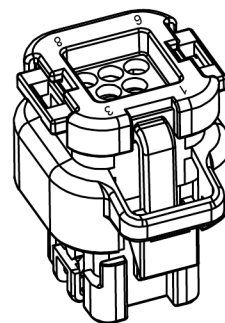
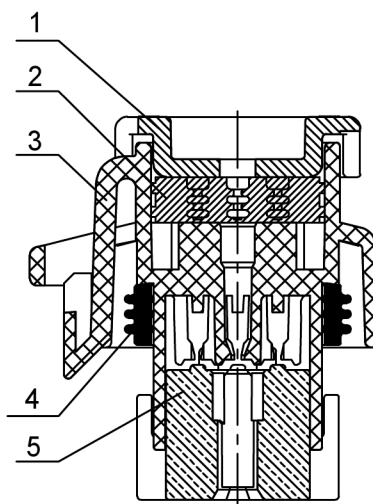
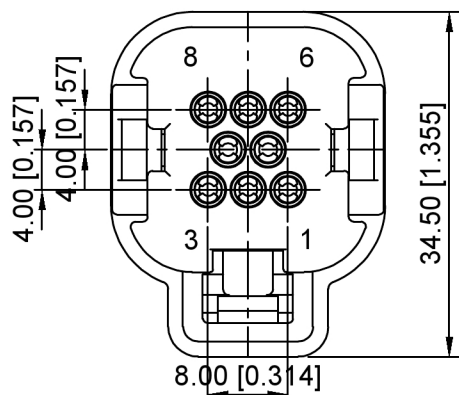
① ② ③ ④

①K :XKBTEK-Car Connector

②XKB Series NO.

③Catergory:H-HSG

④X:X-1 (Black) ;X-2 (White)



K776286H-1	2	4	Black	K776276WV	K776280WR	K770520T
K776286H-2	1	3	White			
PART NO	Slot position	Color	Suitable XKB Wafer	Suitable XKB Wafer	Suitable XKB Terminal	
5	端子锁	红色	PBT	1		
4	橡胶圈	绿色	硅胶	1		
3	主体		PBT	1		
2	橡胶堵	绿色	硅胶	1		
1	上盖	黑色	PBT	1		
序号	名称	型号	颜色	材料	数量	备注

DSND	SCALE: N/A	MODEL TYPE:
DWN	VIEW:	PART NO.: K776286H-X
CHKD	UNIT: mm/in	DWG NO.: X-K776286H-X
APPD	SIZE: A4	WEIGHT SHEET REVISION
XKB INDUSTRIAL PRECISION CO.,LIMITED		1/1 A0

广东星坤科技股份有限公司

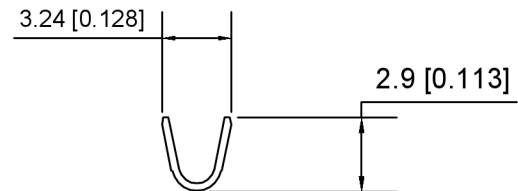
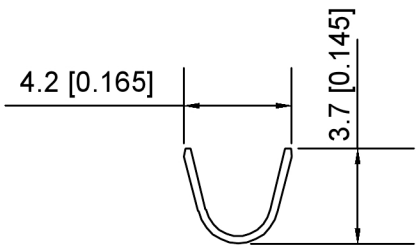
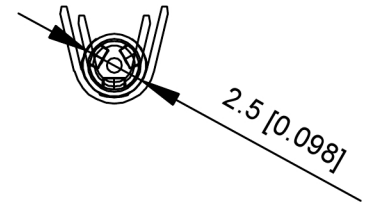
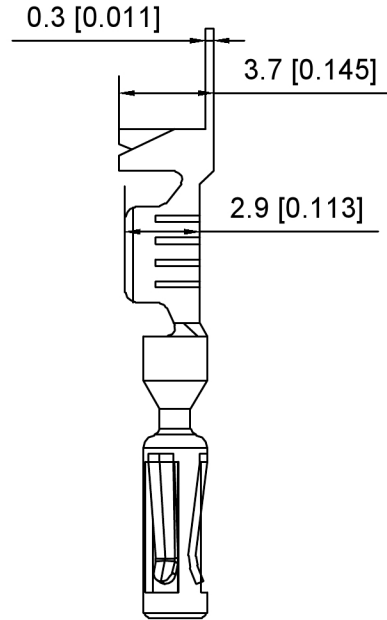
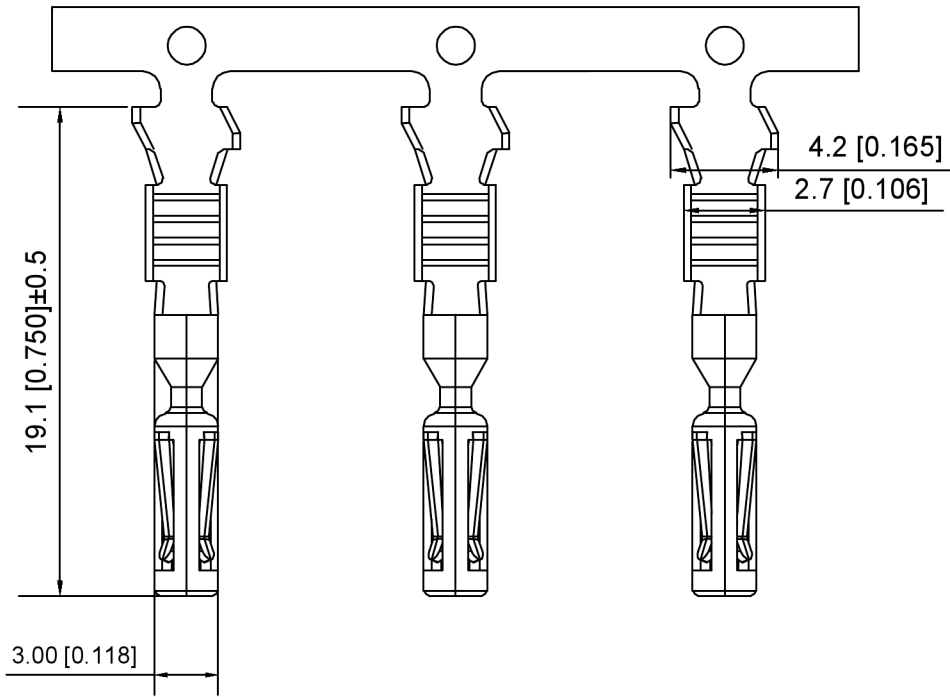
ΔX	日期
Δx	
ΔX	
MARK	DESCRIPTION

文件工程章

REVISIONS	DATE	REVISED	APPROVED	UNSPECIFIED TOLERANCES
				ANGLAR ±5°
				L ≤ 4 ±0.2
				4 < L ≤ 16 ±0.3
				16 < L ≤ 63 ±0.4
				L > 63 ±0.5



www.helloxkb.com www.helloxkb.cn www.xk-dg.cn



技术要求:

- 1.产品光洁无毛刺，倒角清晰完整，无垫伤，变形，开裂等

K770520T-1	QSn6.5-0.1	AWG#18-20	K770680H
PART No	Matrial	Wire Range	Suitable XKB Housing

广东星坤科技股份有限公司

DATE	DESCRIPTION	DATE	REVISED	APPROVED	UNSPECIFIED TOLERANCES
MARK					
文件工程章					



DSND	SCALE: N/A	MODEL TYPE:
DWN	VIEW:	PART NO.: K770520T-1
CHKD	UNIT: mm/in	DWG NO.: X-K770520T-1
APPD	SIZE: A4	
XKB INDUSTRIAL PRECISION CO., LIMITED		WEIGHT SHEET REVISION
		1/1 A0

## X-ON Electronics

Largest Supplier of Electrical and Electronic Components

*Click to view similar products for [Automotive Connectors](#) category:*

*Click to view products by [XKB](#) manufacturer:*

Other Similar products are found below :

[003-018-000](#) [60993906-B](#) [M902-2131](#) [M902-2161](#) [M902-2344](#) [72.330.1035.1](#) [73.353.4028.0](#) [F166900](#) [F358300-B](#) [F407400](#) [776880-1](#)  
[827153-1](#) [8N1515-32-24P](#) [9-1326729-8](#) [925474-1](#) [928905-1](#) [964562-4](#) [968782-1](#) [98891-1012](#) [12004475-L](#) [12020308](#) [12041318-B](#)  
[12052466](#) [12059716](#) [12064869](#) [12015909](#) [1-21030-1](#) [12041254](#) [12041318](#) [12047946-B](#) [12110546-B](#) [12131792](#) [12084688](#) [12092346](#)  
[HD34-18-14PT](#) [HD46-24-23SN-059](#) [HDB36-24-16PN-059](#) [HDP26-24-9SE-L015](#) [12185280](#) [12185550](#) [12336-12](#) [12191172-B](#) [12S](#)  
[13545280](#) [13577943](#) [13681974](#) [13737722-B](#) [13830674](#) [13832576](#) [13849772](#)