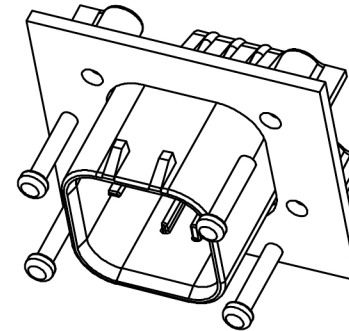
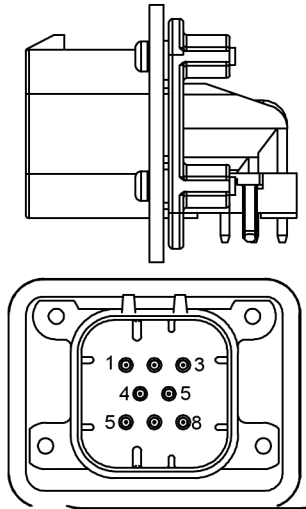
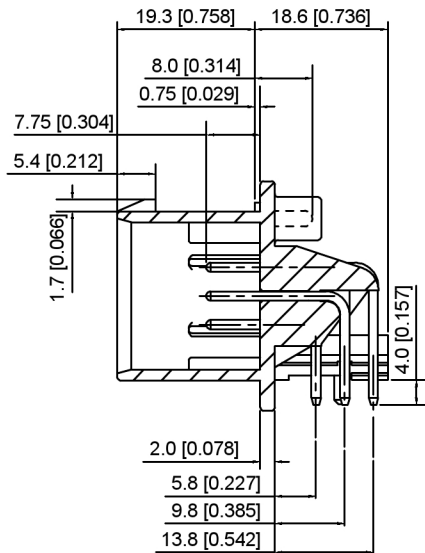


Current rating: 7A AC/DC  
 额定电流: 7A AC/DC  
 Temperature range: -40°C ~ +85°C  
 温度范围: -40°C ~ +85°C



K 776280 W R - XX - PT XX X  
 ① ② ③ ④ ⑤ ⑥ ⑦ ⑧

- 1.K: XKBTEK-Car Connector
- 2.XKB Series No
- 3.Category: W-Wafer
- 4.Welding Board Range: R-Straight 90°
- 5.Row No. Pin No: XX-08 Pin
- 6.Material: PT-PBT
- 7.Palting: V01-Gold Flash ; SN-Plated Tin
- 8.Color: X: B-Black ; W-White ; GY-Gray ; BL-Blue

K776280WR-XX-PTXXX	PBT	Brass	K776280H
PART NO	Material	Material(Pin)	Suitable XKB Housing

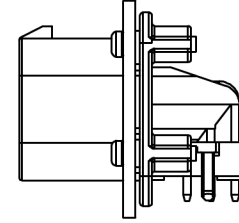
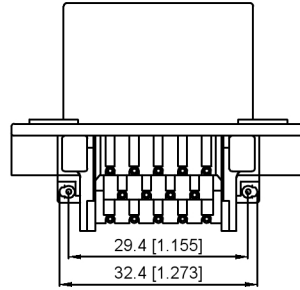
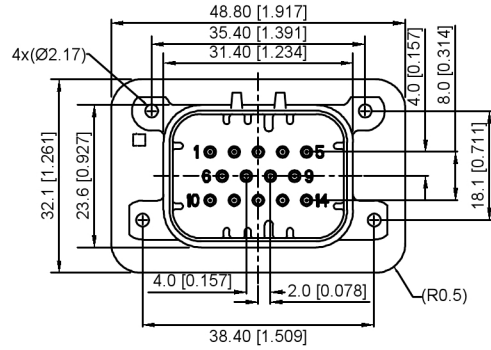
DSND	SCALE: N/A	MODEL TYPE: 4.0mm automotive connector
DWN	VIEW:	PART NO.: K776280WR-XX-PTXXX
CHKD	UNIT: mm/in	DWG NO.: X-K776280WR-XX-PTXXX
APPD	SIZE: A4	

**XKB**

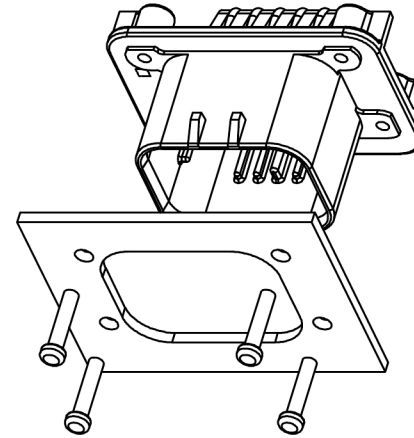
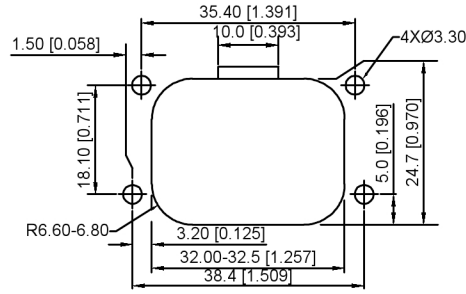
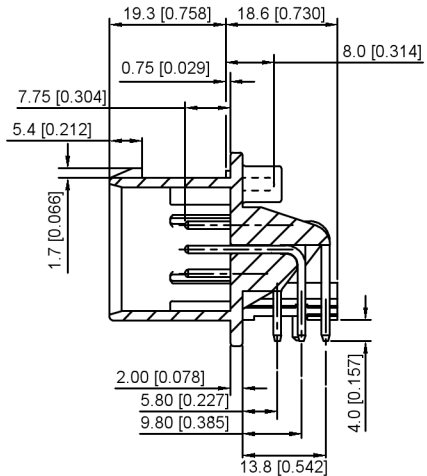
XKB INDUSTRIAL PRECISION CO., LIMITED

WEIGHT	SHEET	REVISION
	1/1	A0

					ANGULAR	±5°
Δx					L ≤ 4	±0.2
Δx					4 < L ≤ 16	±0.3
Δx					16 < L ≤ 63	±0.4
MARK	DESCRIPTION	DATE	REVISED	APPROVED	L > 63	±0.5
REVISIONS					UNSPECIFIED TOLERANCES	
www.helloxkb.com www.helloxkb.cn www.xk-dg.cn						

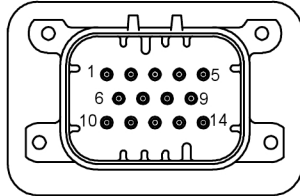


Current rating:7A AC/DC  
 额定电流: 7A AC/DC  
 Temperature range:-40°C~+85°C  
 温度范围: -40°C~+85°C



K 776280 W R - XX - PT XX X  
 ① ② ③ ④ ⑤ ⑥ ⑦ ⑧

- 1.K: XKBTEK-Car Connector
- 2.XKB Series No
- 3.Category:W-Wafer
- 4.Welding Board Angle:R-Stright 90°
- 5.Row No.Pin No:XX-14 Pin
- 6.Material:PT-PBT
- 7.Palting:V01-Gold Flash ;SN-Plated Tin
- 8.Color:X:B-Black ; W-White ; GY-Gray ; BL-Blue



K776280WR-XX-PTXXX	PBT	Brass	K776280H
PART NO	Material	Material(Pin)	Suitable XKB Housing

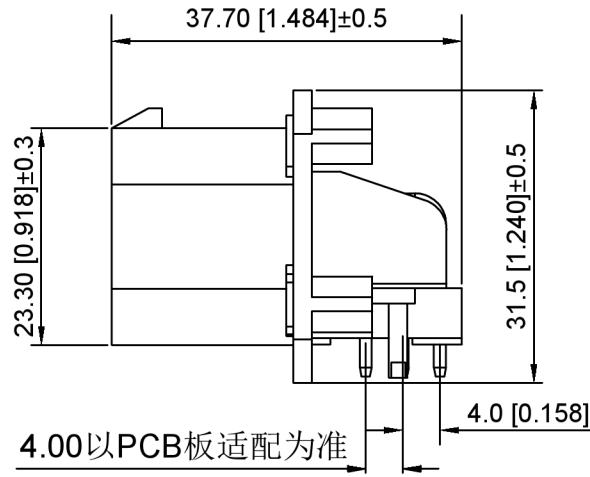
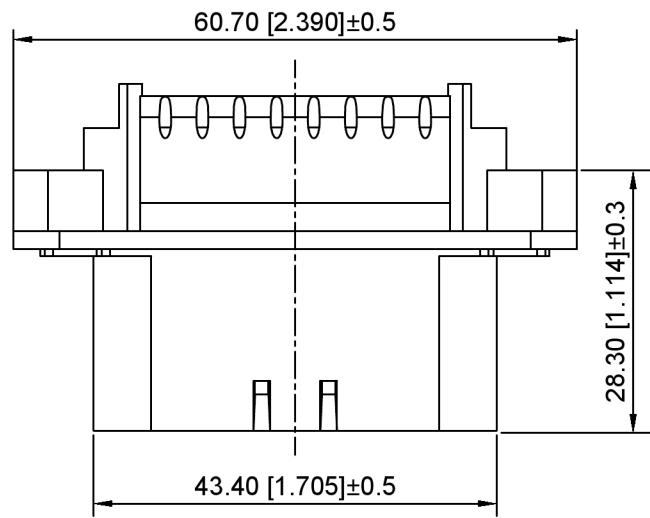
DSND	SCALE: N/A	MODEL TYPE: 4.0mm automotive connector
DWN	VIEW:	PART NO.: K776280WR-XX-PTXXX
CHKD	UNIT: mm/in	DWG NO.: X-K776280WR-XX-PTXXX
APPD	SIZE: A4	

					ANGLAR	±5°
ΔX					L ≤ 4	±0.2
ΔX					4 < L ≤ 16	±0.3
ΔX					16 < L ≤ 63	±0.4
MARK	DESCRIPTION	DATE	REVISED	APPROVED	L > 63	±0.5
REVISIONS					UNSPECIFIED TOLERANCES	



XKB INDUSTRIAL PRECISION CO., LIMITED

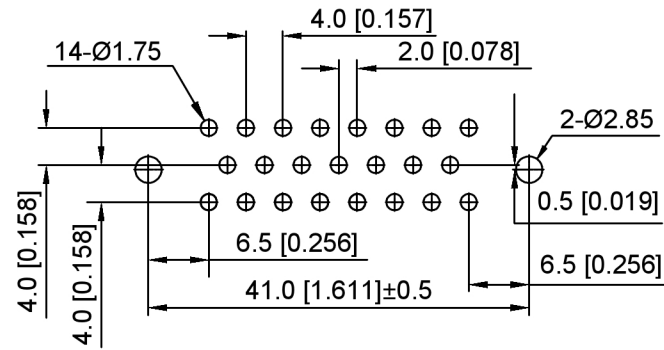
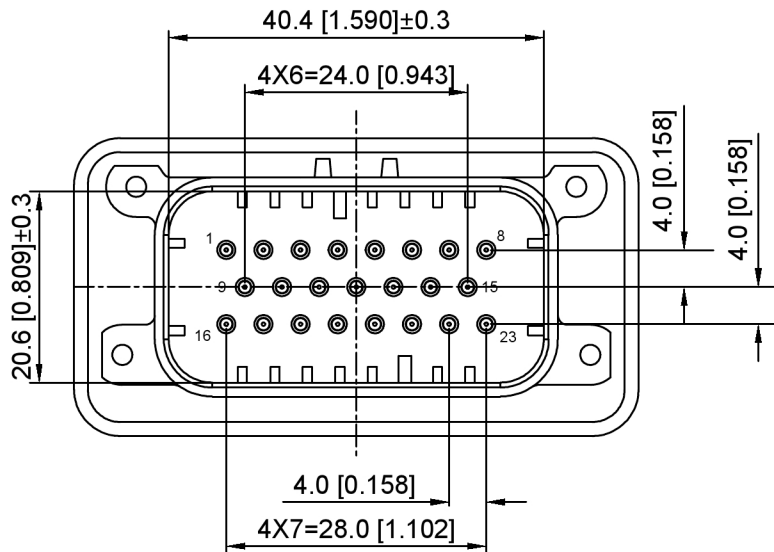
WEIGHT	SHEET	REVISION
	1/1	A0



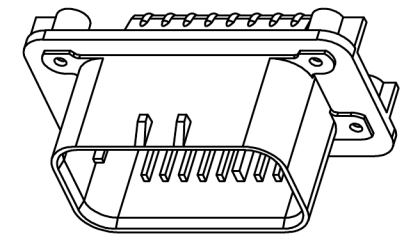
Current rating:7A AC/DC  
 额定电流: 7A AC/DC  
 Temperature range:-40°C~+85°C  
 温度范围: -40°C~+85°C

K 776280 W R - XX - PT XX X  
 ① ② ③ ④ ⑤ ⑥ ⑦ ⑧

- 1.K: XKBTEK-Car Connector
- 2.XKB Series No
- 3.Category:W-Wafer
- 4.Welding Board Angle:R-Stright 90°
- 5.Row No.Pin No:XX-23 Pin
- 6.Material:PT-PBT
- 7.Palting:V01-Gold Flash ;SN-Plated Tin
- 8.Color:X:B-Black ; W-White ;  
GY-Gray ; BL-Blue



PCB LAYOUT



K776280WR-XX-PTXXX	PBT	Brass	K776280H
PART NO	Material	Material(Pin)	Suitable XKB Housing

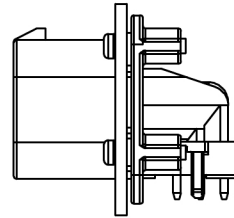
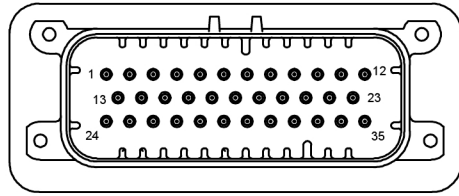
DSND	SCALE: N/A	MODEL TYPE: 4.0mm automotive connector
DWN	VIEW:	PART NO.: K776280WR-XX-PTXXX
CHKD	UNIT: mm/in	DWG NO.: X-K776280WR-XX-PTXXX
APPD	SIZE: A4	WEIGHT SHEET REVISION



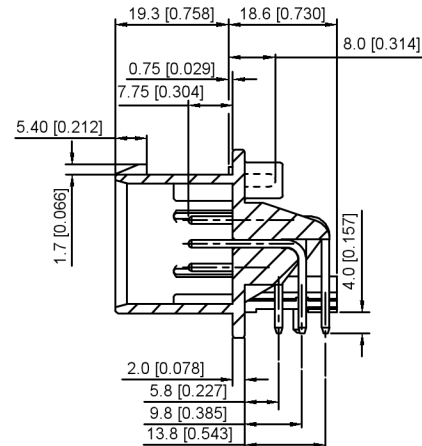
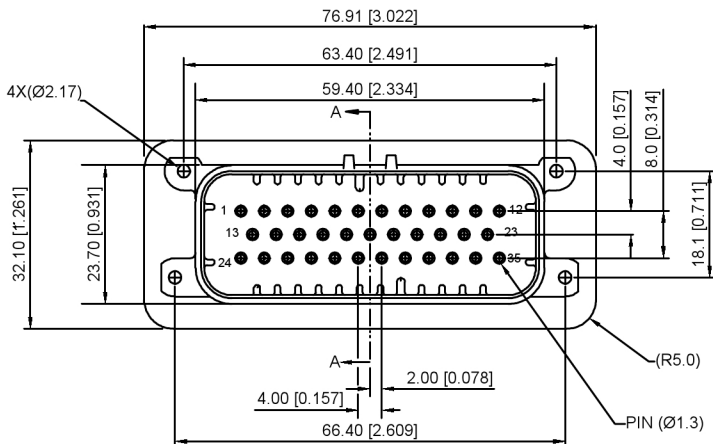
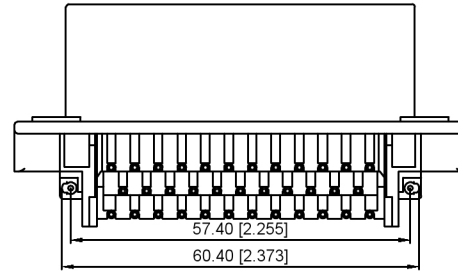
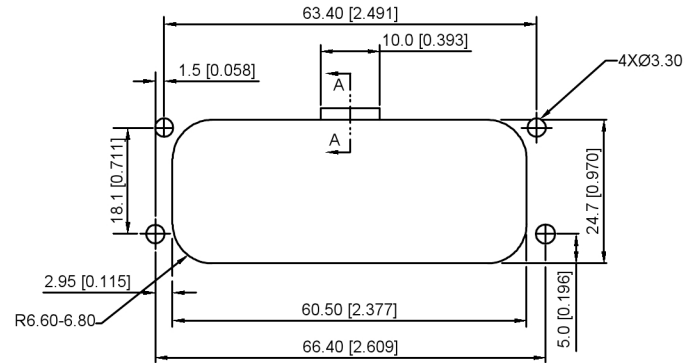
XKB INDUSTRIAL PRECISION CO.,LIMITED

ANGLAR	±5°
L ≤ 4	±0.2
4 < L ≤ 16	±0.3
16 < L ≤ 63	±0.4
L > 63	±0.5
UNSPECIFIED TOLERANCES	

ΔX					
ΔX					
ΔX					
MARK	DESCRIPTION	DATE	REVISED	APPROVED	
REVISIONS					



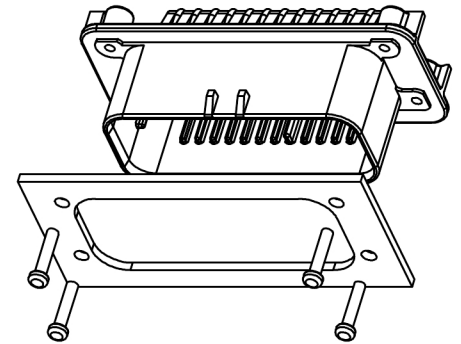
Current rating: 7A AC/DC  
 额定电流: 7A AC/DC  
 Temperature range: -40°C ~ +85°C  
 温度范围: -40°C ~ +85°C



SECTION A-A

K 776280 W R - XX - PT XX X  
 ① ② ③ ④ ⑤ ⑥ ⑦ ⑧

- 1.K: XKBTEK-Car Connector
- 2.XKB Series No
- 3.Category:W-Wafer
- 4.Welding Board Angle:R-Stright 90°
- 5.Row No.Pin No:XX-35 Pin
- 6.Material:PT-PBT
- 7.Palting:V01-Gold Flash ;SN-Plated Tin
- 8.Color:X:B-Black ; W-White ; GY-Gray ; BL-Blue



K776280WR-XX-PTXXX	PBT	Brass	K776280H
PART NO	Material	Material(Pin)	Suitable XKB Housing

DSND	SCALE: N/A	MODEL TYPE: 4.0mm automotive connector
DWN	VIEW:	PART NO.: K776280WR-XX-PTXXX
CHKD	UNIT: mm/in	DWG NO.: X-K776280WR-XX-PTXXX
APPD	SIZE: A4	

						ANGLAR	±5°
ΔX						L ≤ 4	±0.2
ΔX						4 < L ≤ 16	±0.3
ΔX						16 < L ≤ 63	±0.4
MARK	DESCRIPTION	DATE	REVISED	APPROVED		L > 63	±0.5
REVISIONS						UNSPECIFIED TOLERANCES	
www.helloxkb.com www.helloxkb.cn www.xk-dg.cn							



XKB INDUSTRIAL PRECISION CO., LIMITED

WEIGHT	SHEET	REVISION
	1/1	A0

## X-ON Electronics

Largest Supplier of Electrical and Electronic Components

*Click to view similar products for [Automotive Connectors](#) category:*

*Click to view products by [XKB](#) manufacturer:*

Other Similar products are found below :

[003-018-000](#) [60993906-B](#) [72.330.1035.1](#) [776880-1](#) [827153-1](#) [9-1326729-8](#) [9-221607-5](#) [925474-1](#) [928905-1](#) [964562-4](#) [968782-1](#) [12004468](#)  
[12004475-L](#) [12004483](#) [12052466](#) [12066163](#) [12015909](#) [12077753](#) [1-21030-1](#) [12047957](#) [12047958](#) [12084688](#) [12185550](#) [12336-12](#) [1-](#)  
[326211-1](#) [13681974](#) [13688972](#) [13755420](#) [13779834](#) [13783086](#) [13843152](#) [13522378](#) [13581967](#) [13669624](#) [13675513](#) [13753471](#) [13946876](#)  
[13953457](#) [13955963](#) [13964573](#) [13971791](#) [13790534-L](#) [13797473](#) [13805590](#) [13888202](#) [1428188-1](#) [1437287-3](#) [1428188-2](#) [DS07-19S-5020](#)  
[1456983-5](#)