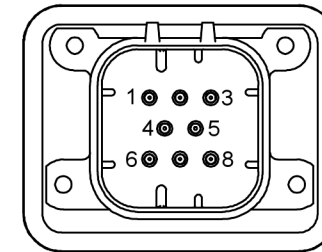
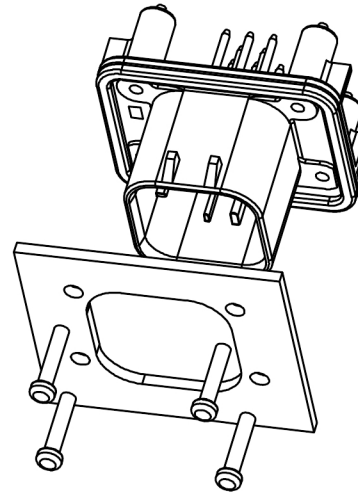
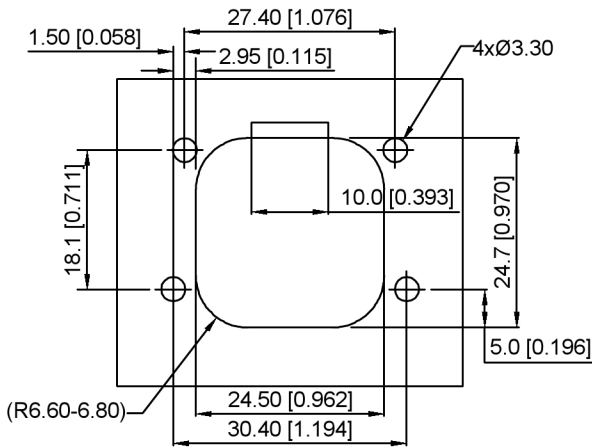


Current rating: 7A AC/DC  
 额定电流: 7A AC/DC  
 Temperature range: -40°C~+85°C  
 温度范围: -40°C~+85°C

K 776280 W V - XX - PT XX X  
 ① ② ③ ④ ⑤ ⑥ ⑦ ⑧

- 1.K: XKBTEK-Car Connector
- 2.XKB Series No
- 3.Category:W-Wafer
- 4.Welding Board Angle:V-Stright 180°
- 5.Row No.Pin No:XX-08 Pin
- 6.Material:PT-PBT
- 7.Palting:V01-Gold Flash ;SN-Plated Tin
- 8.Color:X:B-Black ; W-White ;  
GY-Gray ; BL-Blue



K776280WV-XX-PTXXX	PBT	Brass	K776280H
PART NO	Material	Material(Pin)	Suitable XKB Housing

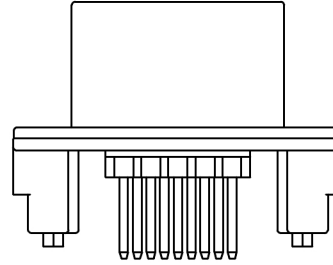
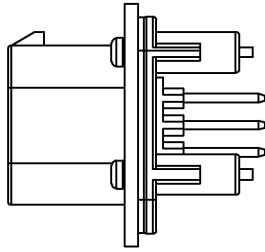
DSND	SCALE: N/A	MODEL TYPE: 4.0mm automotive connector
DWN	VIEW:	PART NO.: K776280WV-XX-PTXXX
CHKD	UNIT: mm/in	DWG NO.: X-K776280WV-XX-PTXXX
APPD	SIZE: A4	WEIGHT SHEET REVISION



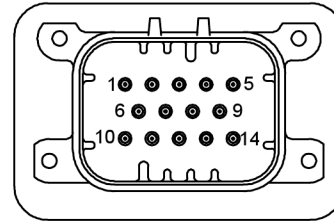
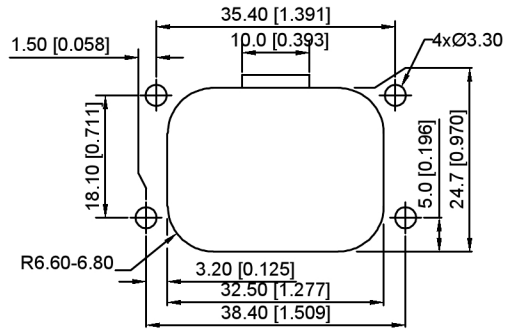
XKB INDUSTRIAL PRECISION CO., LIMITED

					ANGLAR	±5°
ΔX					L ≤ 4	±0.2
ΔX					4 < L ≤ 16	±0.3
ΔX					16 < L ≤ 63	±0.4
MARK					L > 63	±0.5
					UNSPECIFIED TOLERANCES	

REVISIONS	DESCRIPTION	DATE	REVISED	APPROVED

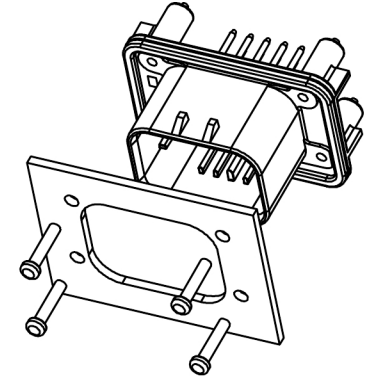
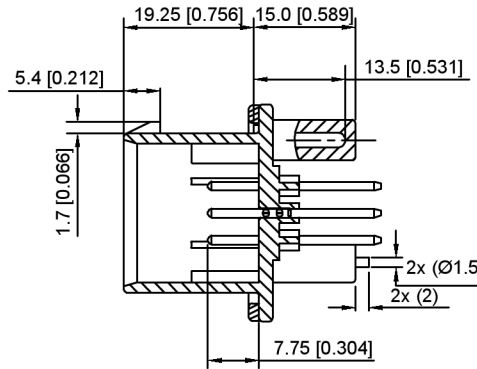
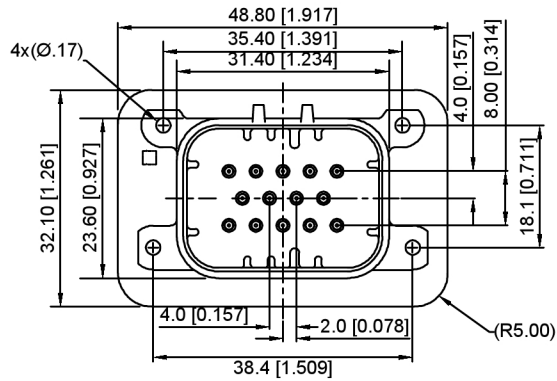


Current rating:7A AC/DC  
 额定电流: 7A AC/DC  
 Temperature range:-40°C~+85°C  
 温度范围: -40°C~+85°C



K 776280 W V - XX - PT XX X  
 ① ② ③ ④ ⑤ ⑥ ⑦ ⑧

- 1.K: XKBTEK-Car Connector
- 2.XKB Series No
- 3.Category:W-Wafer
- 4.Welding Board Angle:V-Stright 180°
- 5.Row No.Pin No:XX-14 Pin
- 6.Material:PT-PBT
- 7.Palting:V01-Gold Flash ;SN-Plated Tin
- 8.Color:X:B-Black ; W-White ; GY-Gray ; BL-Blue



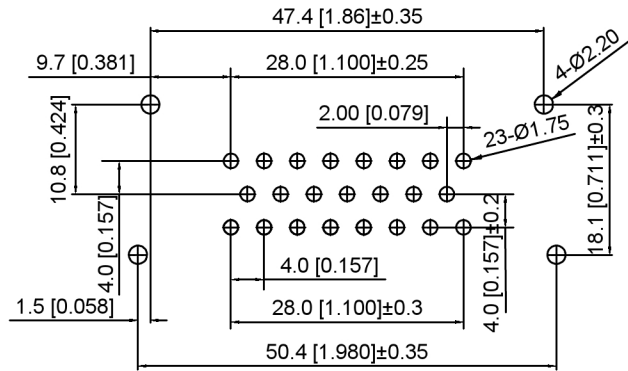
K776280WW-XX-PTXXX	PBT	Brass	K776280H
PART NO	Material	Material(Pin)	Suitable XKB Housing

DSND	SCALE: N/A	MODEL TYPE:
DWN	VIEW:	4.0mmautomotive connector
CHKD	UNIT: mm/in	PART NO.:
APPD	SIZE: A4	K776280WW-XX-PTXXX
		DWG NO.:
		X-K776280WW-XX-PTXXX
		WEIGHT
		SHEET
		REVISION

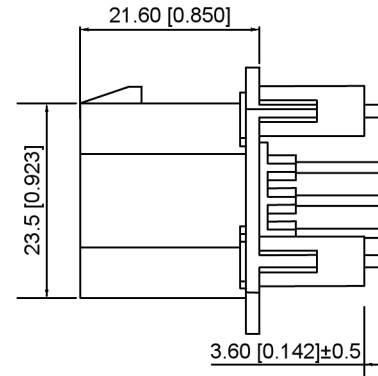


XKB INDUSTRIAL PRECISION CO.,LIMITED

ANGULAR	±5°
L ≤ 4	±0.2
4 < L ≤ 16	±0.3
16 < L ≤ 63	±0.4
L > 63	±0.5
UNSPECIFIED TOLERANCES	



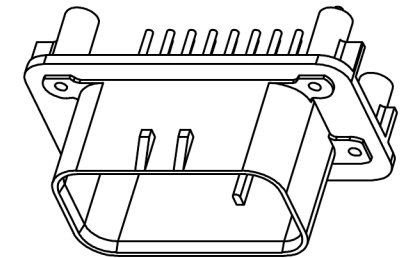
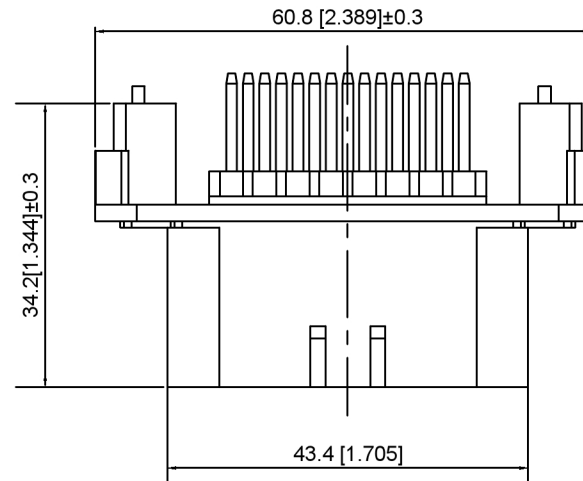
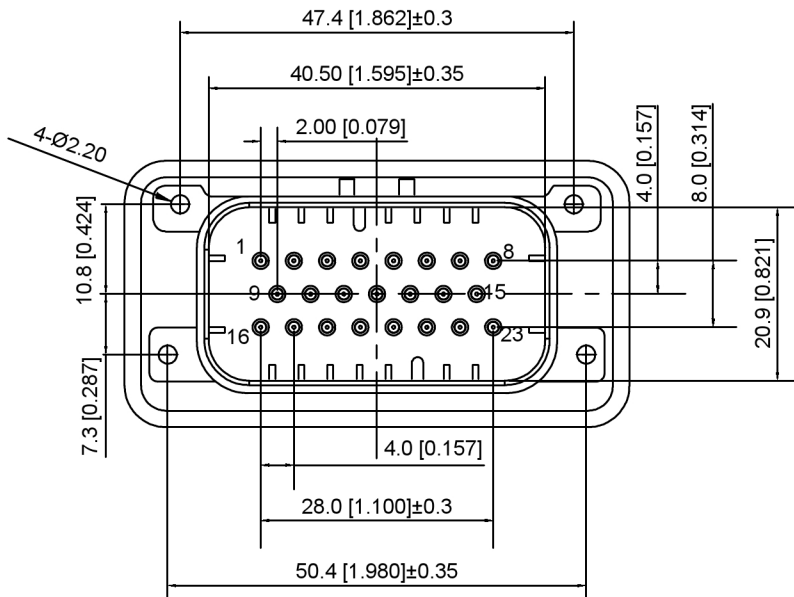
PCB LAYOUT



Current rating:7A AC/DC  
 额定电流: 7A AC/DC  
 Temperature range:-40℃~+85℃  
 温度范围: -40℃~+85℃

K 776280 W V - XX - PT XX X  
 ① ② ③ ④ ⑤ ⑥ ⑦ ⑧

- 1.K: XKBTEK-Car Connector
- 2.XKB Series No
- 3.Category:W-Wafer
- 4.Welding Board Range:V-Stright 180°
- 5.Row No.Pin No:XX-23 Pin
- 6.Material:PT-PBT
- 7.Palting:V01-Gold Flash ;SN-Plated Tin
- 8.Color:X:B-Black ; W-White ;  
GY-Gray ; BL-Blue



K776280WV-XX-PTXXX	PBT	Brass	K776280H
PART NO	Material	Material(Pin)	Suitable XKB Housing

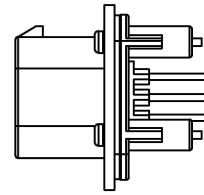
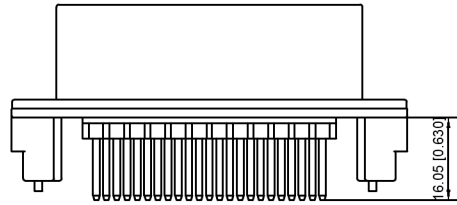
DSND	SCALE: N/A	MODEL TYPE:
DWN	VIEW:	4.0mm automotive connector
CHKD	UNIT: mm/in	PART NO.: K776280WV-XX-PTXXX
APPD	SIZE: A4	DWG NO.: X-K776280WV-XX-PTXXX
		WEIGHT SHEET REVISION
		1/1 A0



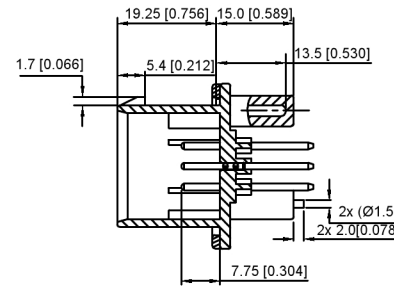
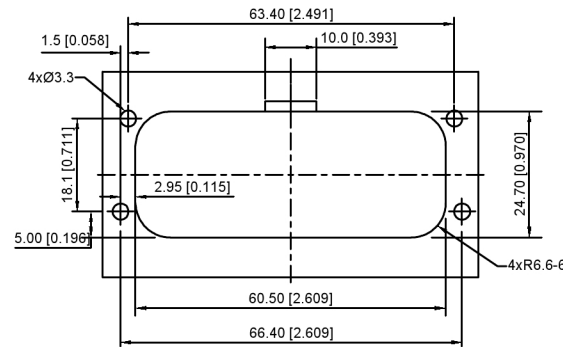
XKB INDUSTRIAL PRECISION CO.,LIMITED

ANGLAR	±5°
L ≤ 4	±0.2
4 < L ≤ 16	±0.3
16 < L ≤ 63	±0.4
L > 63	±0.5
UNSPECIFIED TOLERANCES	

MARK	DESCRIPTION	DATE	REVISED	APPROVED
ΔX				
ΔX				
ΔX				

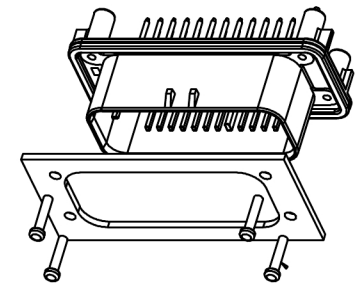
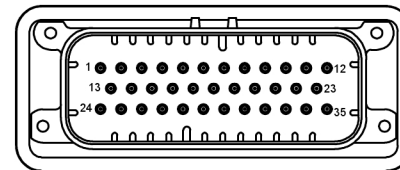
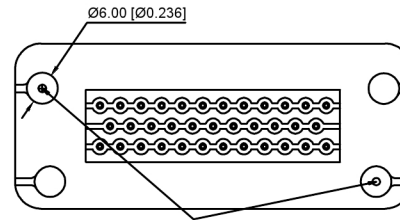
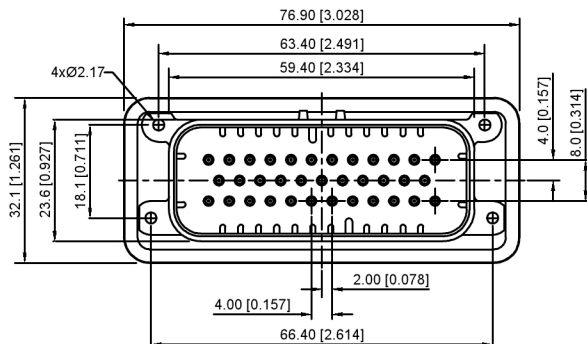


Current rating:7A AC/DC  
 额定电流: 7A AC/DC  
 Temperature range:-40°C-+85°C  
 温度范围: -40°C-+85°C



K 776280 W V - XX - PT XX X  
 ① ② ③ ④ ⑤ ⑥ ⑦ ⑧

- 1.K: XKBTEK-Car Connector
- 2.XKB Series No
- 3.Category:W-Wafer
- 4.Welding Board Range:V-Stright 180°
- 5.Row No.Pin No:XX-35 Pin
- 6.Material:PT-PBT
- 7.Palting:V01-Gold Flash ;SN-Plated Tin
- 8.Color:X:B-Black ; W-White ;  
GY-Gray ; BL-Blue



K776280W-XX-PTXXX	PBT	Brass	K776280H
PART NO	Material	Material(Pin)	Suitable XKB Housing

DSND		SCALE: N/A	MODEL TYPE: 4.0mm automotive connector
DWN		VIEW:	PART NO.: K776280W-XX-PTXXX
CHKD		UNIT: mm/in	DWG NO.: X-K776280W-XX-PTXXX
APPD		SIZE: A4	
		WEIGHT	SHEET
			REVISION
			1/1
			A0

**XKB**

XKB INDUSTRIAL PRECISION CO.,LIMITED

ANGLAR	±5°
L ≤ 4	±0.2
4 < L ≤ 16	±0.3
16 < L ≤ 63	±0.4
L > 63	±0.5
UNSPECIFIED TOLERANCES	

## X-ON Electronics

Largest Supplier of Electrical and Electronic Components

*Click to view similar products for [Automotive Connectors](#) category:*

*Click to view products by [XKB](#) manufacturer:*

Other Similar products are found below :

[003-018-000](#) [60993906-B](#) [72.330.1035.1](#) [F358300-B](#) [F407400](#) [776880-1](#) [827153-1](#) [8N1515-32-24P](#) [9-1326729-8](#) [925474-1](#) [928905-1](#)  
[964562-4](#) [968782-1](#) [98891-1012](#) [12004468](#) [12004475-L](#) [12020219-B](#) [12052466](#) [12066163](#) [12015909](#) [1-21030-1](#) [12041318](#) [12047957](#)  
[12047958](#) [12089953](#) [12185550](#) [12336-12](#) [1-326211-1](#) [13681974](#) [13783086](#) [13832576](#) [13843152](#) [13522378](#) [13669624](#) [13675513](#) [13946876](#)  
[13971791](#) [13790534-L](#) [13805590](#) [1428188-1](#) [1437287-3](#) [1428188-2](#) [DS07-19S-5020](#) [1456983-5](#) [1456987-7](#) [APD-7CP-H](#) [APK-SB25A10L](#)  
[1452931-2](#) [15435215](#) [15491972](#)