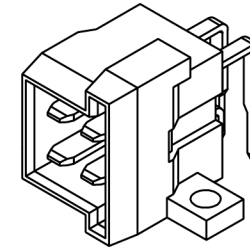
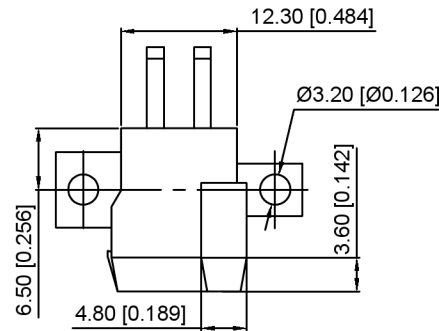
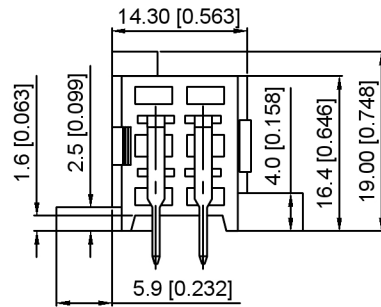


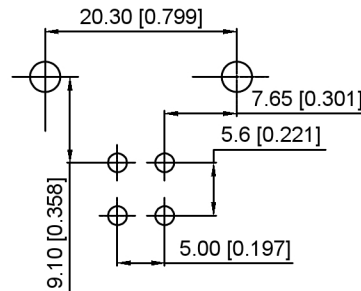
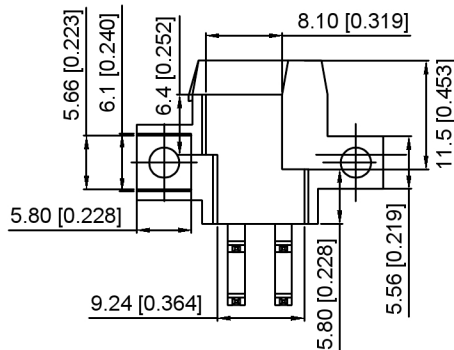
SEC:A-A

Current rating: 25A AC/DC
 额定电流: 25A AC/DC
 Temperature range: -40°C~+125°C
 温度范围: -40°C~+125°C



K 828801 W R - 2xXX - PT SN
 ① ② ③ ④ ⑤ ⑥ ⑦

- 1.K: XKBTEK-Car Connector
- 2.XKB Series No
- 3.Category:W-Wafer
- 4.Welding Board Angle:R-Stright 90°
- 5.Row No.Pin No:2xXX-2x02 Pin
- 6.Material:PT-PBT+GF15+V0
- 7.Palting:SN-Plated Tin



K828801WR-2xXX-PTS	PBT	Brass	K828801H
PART NO	Material	Material(Pin)	Suitable XKB Housing

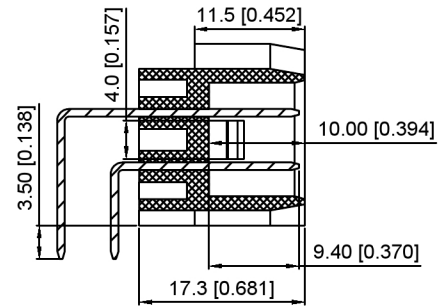
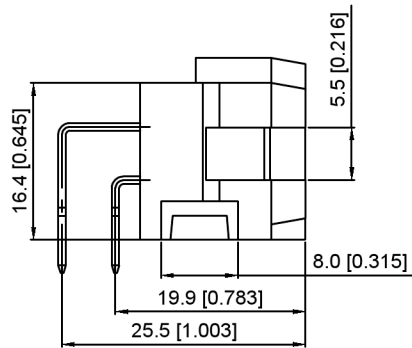
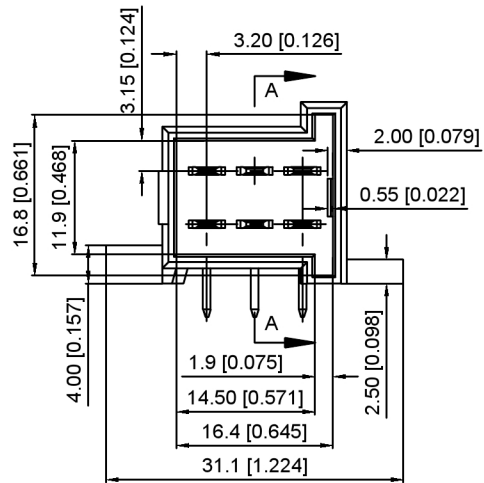
DSND	SCALE: N/A	MODEL TYPE: 5.0mm Automobile connector
DWN	VIEW:	PART NO.: K828801WR-2xXX-PTS
CHKD	UNIT: mm/in	DWG NO.: X-K828801WR-2xXX-PTS
APPD	SIZE: A4	WEIGHT
		SHEET
		REVISION



XKB INDUSTRIAL PRECISION CO., LIMITED

ANGLAR	±5°
L ≤ 4	±0.2
4 < L ≤ 16	±0.3
16 < L ≤ 63	±0.4
L > 63	±0.5

UNSPECIFIED TOLERANCES

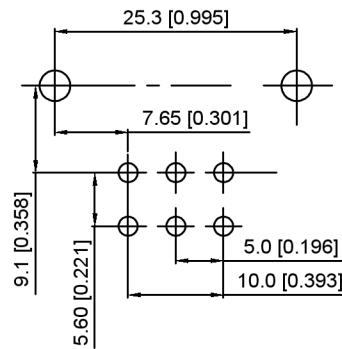
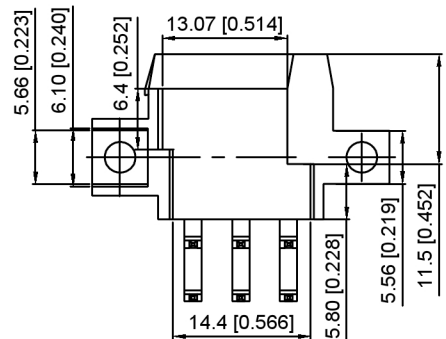
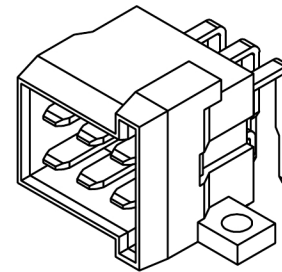
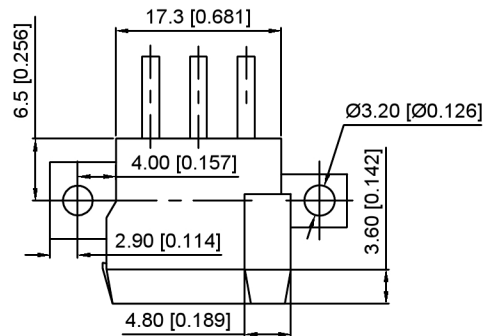
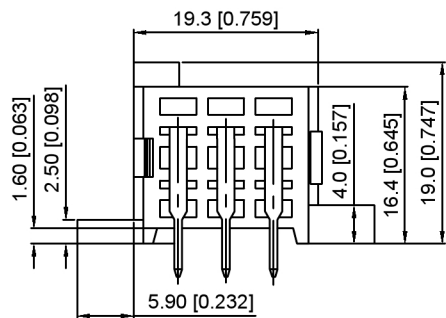


SEC:A-A

Current rating:25A AC/DC
 额定电流: 25A AC/DC
 Temperature range:-40°C-+125°C
 温度范围: -40°C-+125°C

K 828801 W R - 2xXX - PT SN
 ① ② ③ ④ ⑤ ⑥ ⑦

- 1.K: XKBTEK-Car Connector
- 2.XKB Series No
- 3.Category:W-Wafer
- 4.Welding Board Range:R-Stright 90°
- 5.Row No.Pin No:2xXX-2x03 Pin
- 6.Material:PT-PBT+GF15+V0
- 7.Palting:SN-Plated Tin



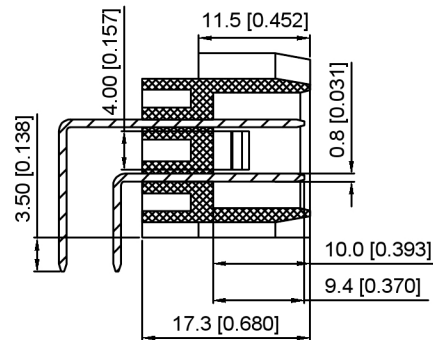
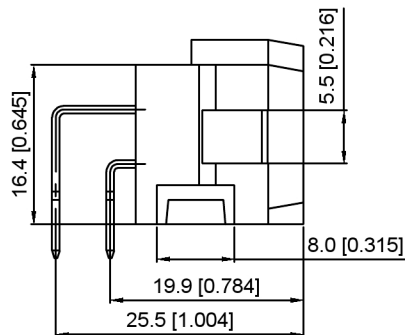
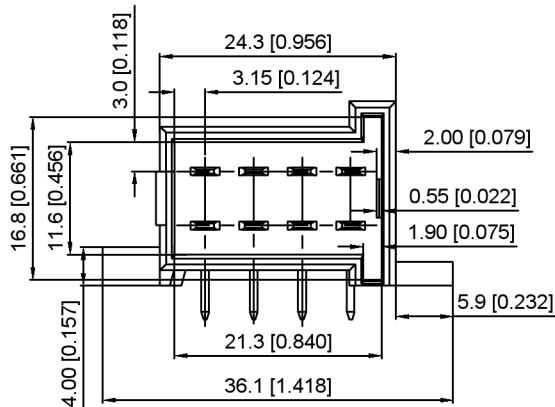
K828801WR-2xXX-PTSN	PBT	Brass	K828801H
PART NO	Material	Material(Pin)	Suitable XKB Housing

DSND	SCALE: N/A	MODEL TYPE: 5.0mm Automobile connector
DWN	VIEW:	PART NO.: K828801WR-2xXX-PTSN
CHKD	UNIT: mm/in	DWG NO.: X-K828801WR-2xXX-PTSN
APPD	SIZE: A4	WEIGHT SHEET REVISION
		1/1 A0



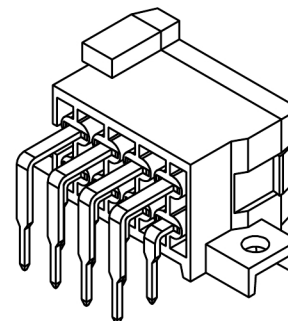
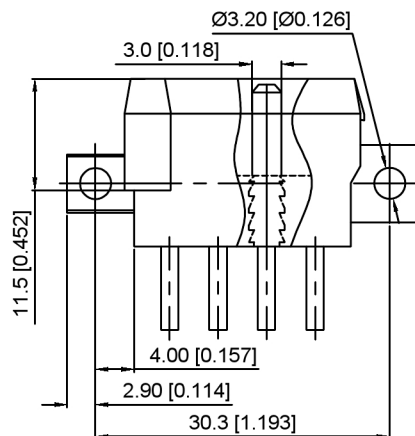
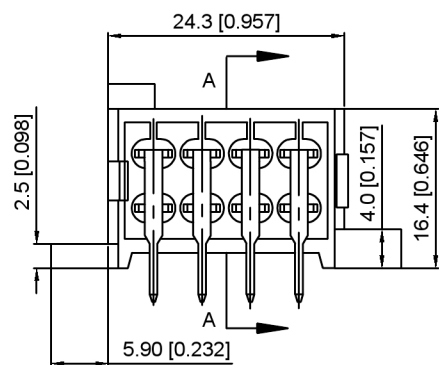
XKB INDUSTRIAL PRECISION CO., LIMITED

ANGLAR	±5°
L ≤ 4	±0.2
4 < L ≤ 16	±0.3
16 < L ≤ 63	±0.4
L > 63	±0.5
UNSPECIFIED TOLERANCES	



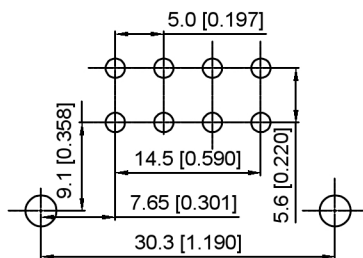
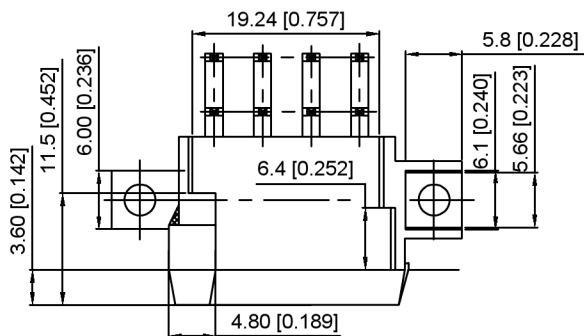
SEC:A-A

Current rating:25A AC/DC
 额定电流: 25A AC/DC
 Temperature range:-40°C-+125°C
 温度范围: -40°C-+125°C



K 828801 W R - 2xXX - PT SN
 ① ② ③ ④ ⑤ ⑥ ⑦

- 1.K: XKBTEK-Car Connector
- 2.XKB Series No
- 3.Category:W-Wafer
- 4.Welding Board Range:R-Stright 90°
- 5.Row No.Pin No:2xXX-2x04 Pin
- 6.Material:PT-PBT+GF30
- 7.Palting:SN-Plated Tin



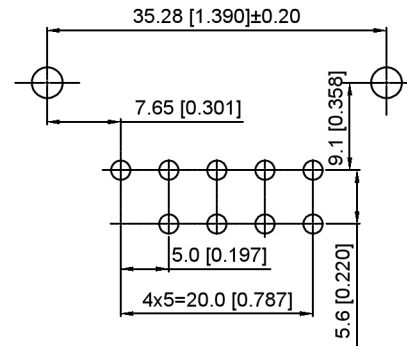
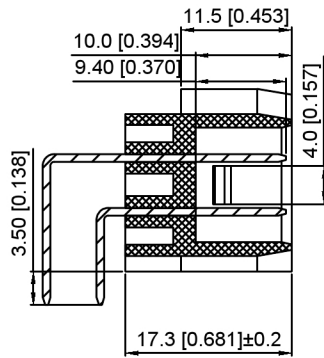
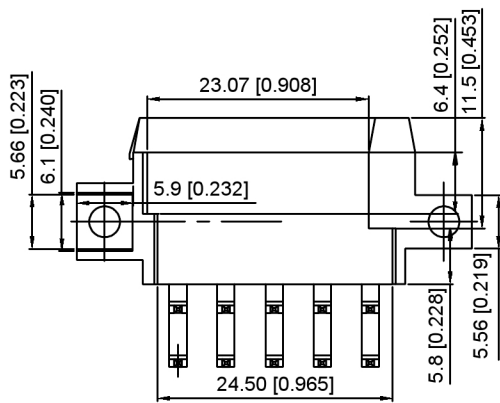
K828801WR-2xXX-PTS	PBT	Brass	K828801H
PART NO	Material	Material(Pin)	Suitable XKB Housing

DSND	SCALE: N/A	MODEL TYPE: 5.0mm Automobile connector
DWN	VIEW:	PART NO.: K828801WR-2xXX-PTS
CHKD	UNIT: mm/in	DWG NO.: X-K828801WR-2xXX-PTS
APPD	SIZE: A4	WEIGHT SHEET REVISION
		1/1 A0



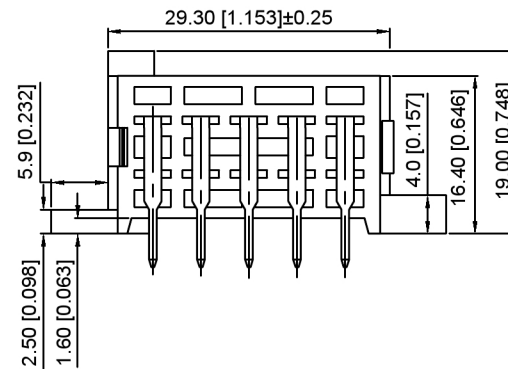
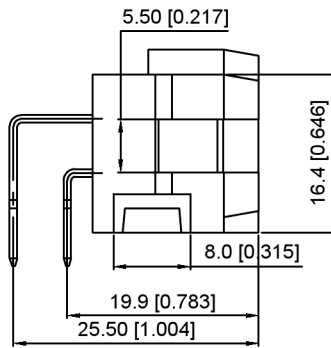
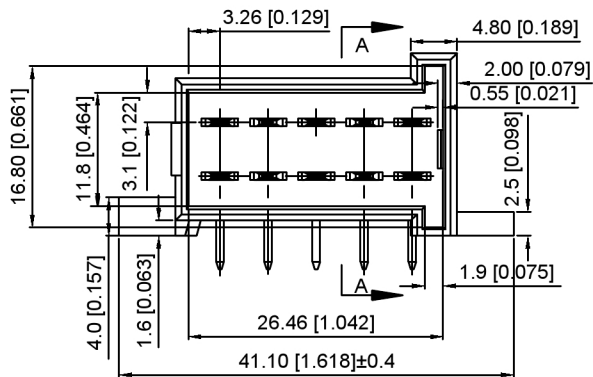
XKB INDUSTRIAL PRECISION CO.,LIMITED

ANGLAR	±5°
L ≤ 4	±0.2
4 < L ≤ 16	±0.3
16 < L ≤ 63	±0.4
L > 63	±0.5
UNSPECIFIED TOLERANCES	



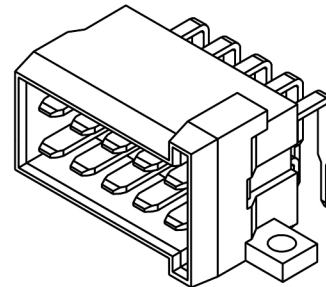
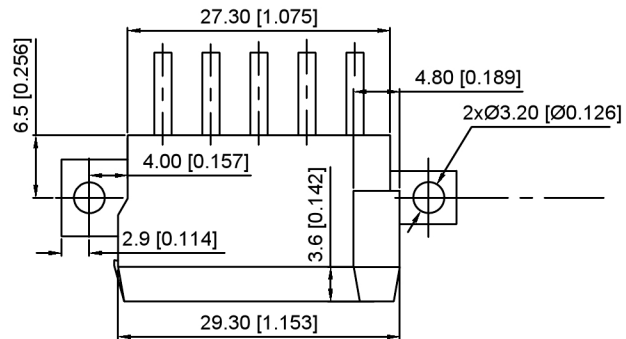
SEC:A-A

Current rating:25A AC/DC
 额定电流: 25A AC/DC
 Temperature range:-40°C~+125°C
 温度范围: -40°C~+125°C



K 828801 W R - 2xXX - PT SN
 ① ② ③ ④ ⑤ ⑥ ⑦

- 1.K: XKBTEK-Car Connector
- 2.XKB Series No
- 3.Category:W-Wafer
- 4.Welding Board Range:R-Stright 90°
- 5.Row No.Pin No:2xXX-2x05 Pin
- 6.Material:PT-PBT+GF15+V0
- 7.Palting:SN-Plated Tin



K828801WR-2xXX-PTS	PBT	Brass	K828801H
PART NO	Material	Material(Pin)	Suitable XKB Housing

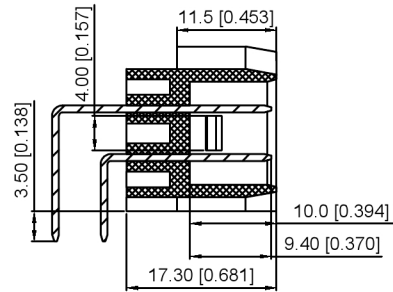
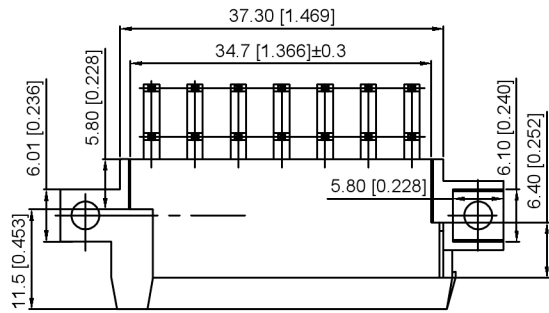
DSND	SCALE: N/A	MODEL TYPE: 5.0mm Automobile connector
DWN	VIEW:	PART NO.: K828801WR-2xXX-PTS
CHKD	UNIT: mm/in	DWG NO.: X-K828801WR-2xXX-PTS
APPD	SIZE: A4	WEIGHT SHEET REVISION



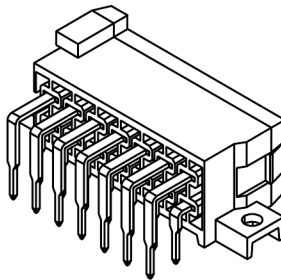
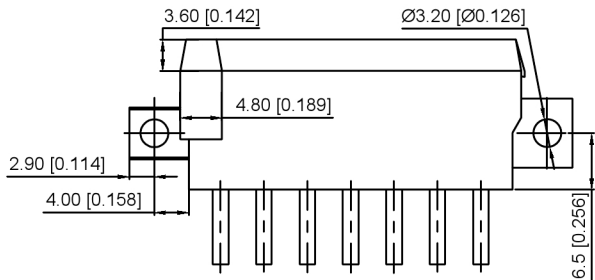
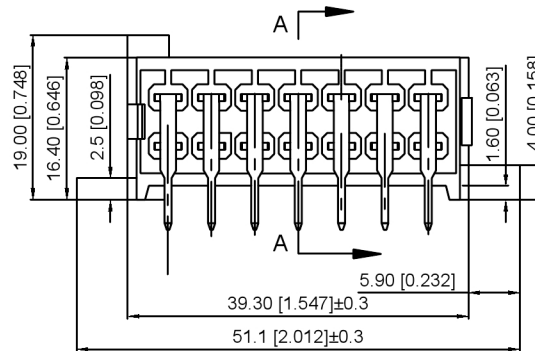
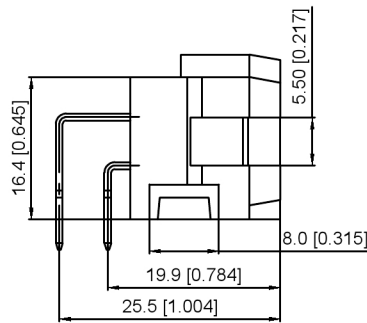
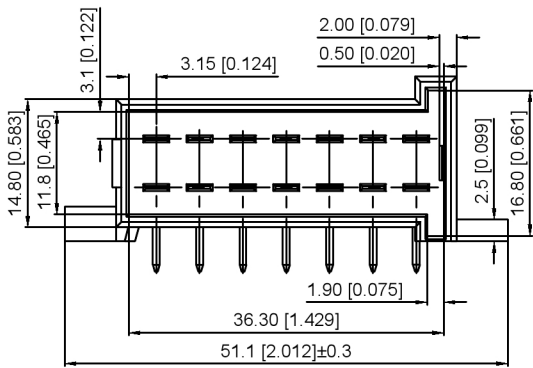
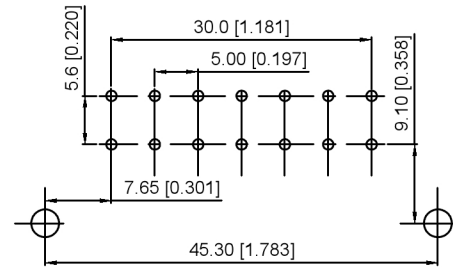
XKB INDUSTRIAL PRECISION CO.,LIMITED

ANGLAR	±5°
L ≤ 4	±0.2
4 < L ≤ 16	±0.3
16 < L ≤ 63	±0.4
L > 63	±0.5

UNSPECIFIED TOLERANCES



SEC:A-A



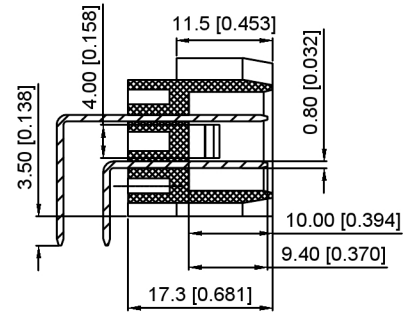
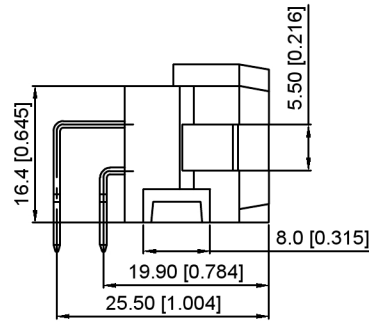
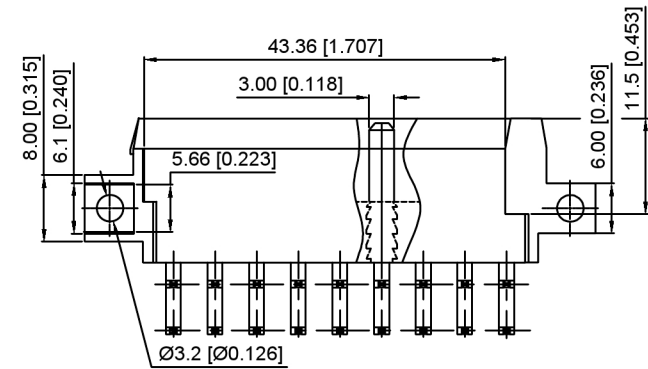
Current rating:25A AC/DC
 额定电流: 25A AC/DC
 Temperature range:-40℃-+125℃
 温度范围: -40℃-+125℃

K 828801 W R - 2xXX - PT SN
 ① ② ③ ④ ⑤ ⑥ ⑦

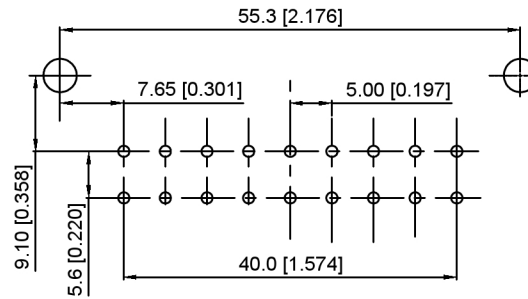
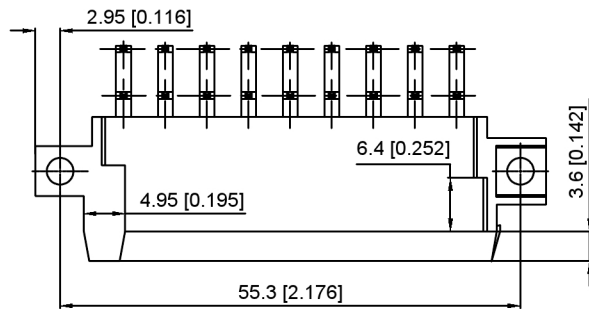
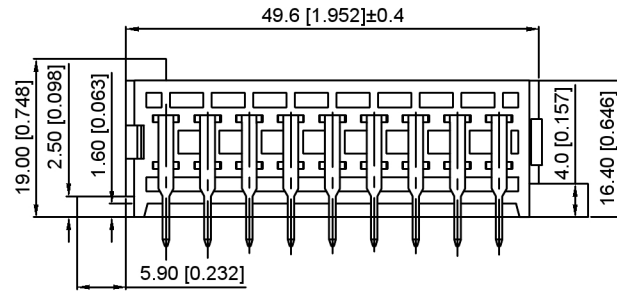
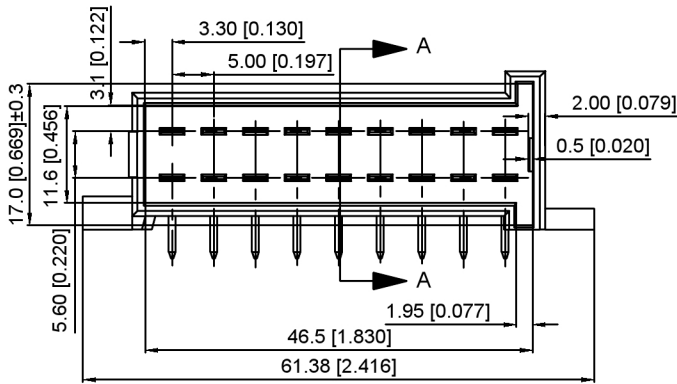
- 1.K: XKBTEK-Car Connector
- 2.XKB Series No
- 3.Category:W-Wafer
- 4.Welding Board Angle:R-Stright 90°
- 5.Row No.Pin No:2xXX-2x07 Pin
- 6.Material:PT-PBT+GF15+V0
- 7.Palting:SN-Plated Tin

K828801WR-2xXX-PTSN	PBT	Brass	K828801H
PART NO	Material	Material(Pin)	Suitable XKB Housing

					ANGLAR	±5°		DSND		SCALE: N/A	MODEL TYPE: 5.0mm Automobile connector		
ΔX					L ≤ 4	±0.2		DWN		VIEW:	PART NO.:	K828801WR-2xXX-PTSN	
ΔX					4 < L ≤ 16	±0.3		CHKD		UNIT: mm/in	DWG NO.:	X-K828801WR-2xXX-PTSN	
ΔX					16 < L ≤ 63	±0.4		APPD		SIZE: A4			
MARK					L > 63	±0.5					WEIGHT	SHEET	REVISION
REVISIONS						UNSPECIFIED TOLERANCES		XKB INDUSTRIAL PRECISION CO., LIMITED				1/1	A0
www.helloxkb.com www.helloxkb.cn www.xk-dg.cn													

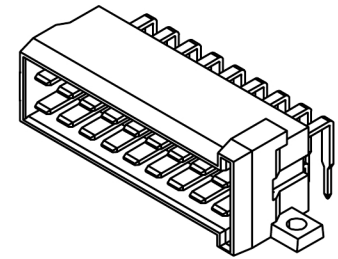


Current rating: 25A AC/DC
 额定电流: 25A AC/DC
 Temperature range: -40°C~+125°C
 温度范围: -40°C~+125°C



K 828801 W R - 2xXX - PT SN
 ① ② ③ ④ ⑤ ⑥ ⑦

- 1.K: XKBTEK-Car Connector
- 2.XKB Series No
- 3.Category:W-Wafer
- 4.Welding Board Range:R-Stright 90°
- 5.Row No.Pin No:2xXX-2x09 Pin
- 6.Material:PT-PBT+GF30
- 7.Palting:SN-Plated Tin



K828801WR-2xXX-PTSN	PBT	Brass	K828801H
PART NO	Material	Material(Pin)	Suitable XKB Housing

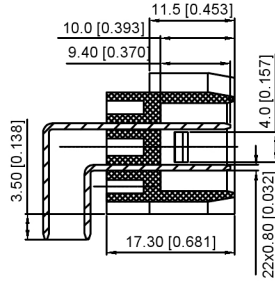
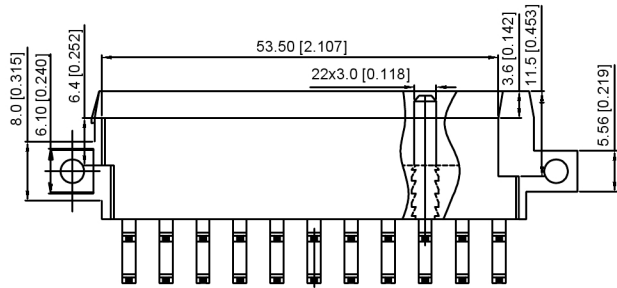
DSND	SCALE: N/A	MODEL TYPE: 5.0mm Automobile connector
DWN	VIEW:	PART NO.: K828801WR-2xXX-PTSN
CHKD	UNIT: mm/in	DWG NO.: X-K828801WR-2xXX-PTSN
APPD	SIZE: A4	



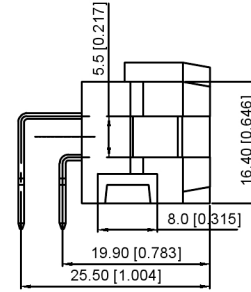
XKB INDUSTRIAL PRECISION CO., LIMITED

WEIGHT	SHEET	REVISION
	1/1	A0

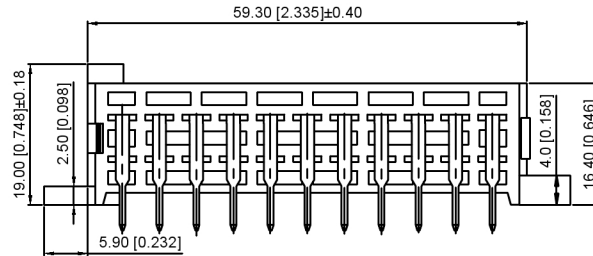
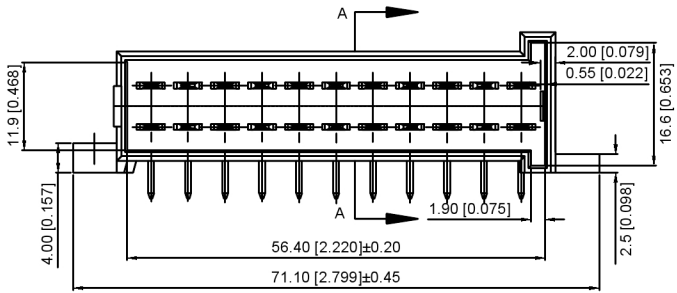
					ANGLAR	±5°
Δx					L ≤ 4	±0.2
Δx					4 < L ≤ 16	±0.3
Δx					16 < L ≤ 63	±0.4
MARK	DESCRIPTION	DATE	REVISED	APPROVED	L > 63	±0.5
REVISIONS					UNSPECIFIED TOLERANCES	
www.helloxkb.com www.helloxkb.cn www.xk-dg.cn						



SEC:A-A

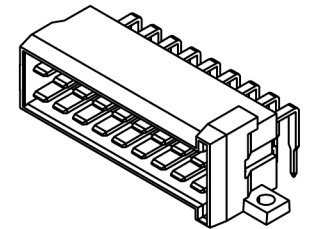
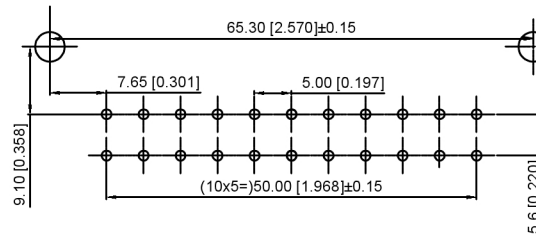
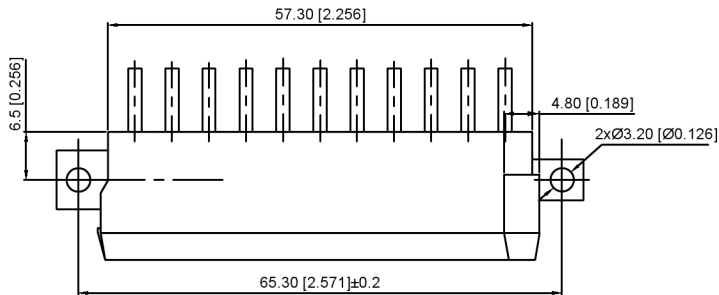


Current rating:25A AC/DC
 额定电流: 25A AC/DC
 Temperature range:-40°C~+125°C
 温度范围: -40°C~+125°C



K 828801 W R - 2xXX - PT SN
 ① ② ③ ④ ⑤ ⑥ ⑦

- 1.K: XKBTEK-Car Connector
- 2.XKB Series No
- 3.Category:W-Wafer
- 4.Welding Board Range:R-Straight 90°
- 5.Row No.Pin No:2xXX-2x11 Pin
- 6.Material:PT-PBT+GF30
- 7.Patting:SN-Plated Tin



K828801WR-2xXX-PTSN	PBT	Brass	K828801H
PART NO	Material	Material(Pin)	Suitable XKB Housing

DSND	SCALE: N/A	MODEL TYPE: 5.0mm Automobile connector
DWN	VIEW:	PART NO.: K828801WR-2xXX-PTSN
CHKD	UNIT: mm/in	DWG NO.: X-K828801WR-2xXX-PTSN
APPD	SIZE: A4	



XKB INDUSTRIAL PRECISION CO., LIMITED

WEIGHT	SHEET	REVISION
	1/1	A0

					ANGULAR	±5°
ΔX					L ≤ 4	±0.2
ΔX					4 < L ≤ 16	±0.3
ΔX					16 < L ≤ 63	±0.4
MARK	DESCRIPTION	DATE	REVISED	APPROVED	L > 63	±0.5

REVISIONS

UNSPECIFIED TOLERANCES

X-ON Electronics

Largest Supplier of Electrical and Electronic Components

Click to view similar products for [Automotive Connectors](#) category:

Click to view products by [XKB](#) manufacturer:

Other Similar products are found below :

[003-018-000](#) [60993906-B](#) [72.330.1035.1](#) [776880-1](#) [827153-1](#) [9-1326729-8](#) [9-221607-5](#) [925474-1](#) [928905-1](#) [964562-4](#) [968782-1](#) [12004468](#)
[12004475-L](#) [12004483](#) [12052466](#) [12066163](#) [12015909](#) [12077753](#) [1-21030-1](#) [12047957](#) [12047958](#) [12084688](#) [12185550](#) [12336-12](#) [1-](#)
[326211-1](#) [13681974](#) [13688972](#) [13755420](#) [13779834](#) [13783086](#) [13843152](#) [13522378](#) [13581967](#) [13669624](#) [13675513](#) [13753471](#) [13946876](#)
[13953457](#) [13955963](#) [13964573](#) [13971791](#) [13790534-L](#) [13797473](#) [13805590](#) [13888202](#) [1428188-1](#) [1437287-3](#) [1428188-2](#) [DS07-19S-5020](#)
[1456983-5](#)