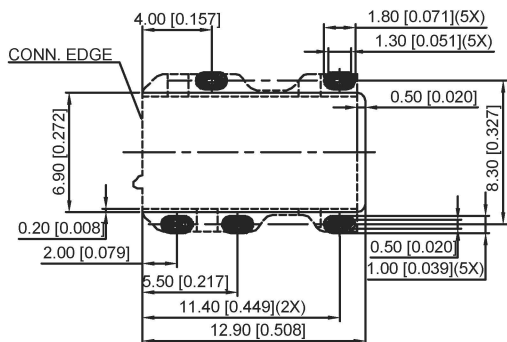
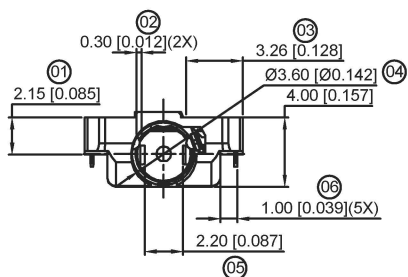
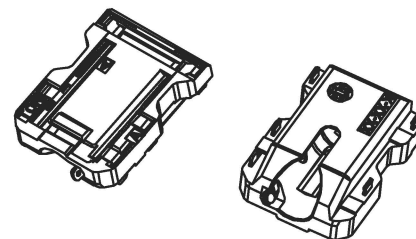
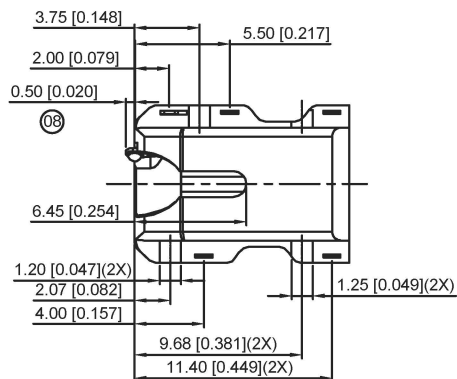
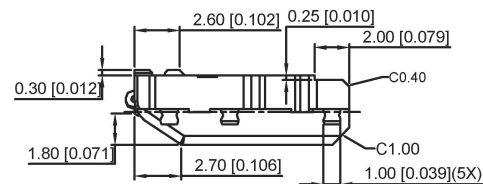
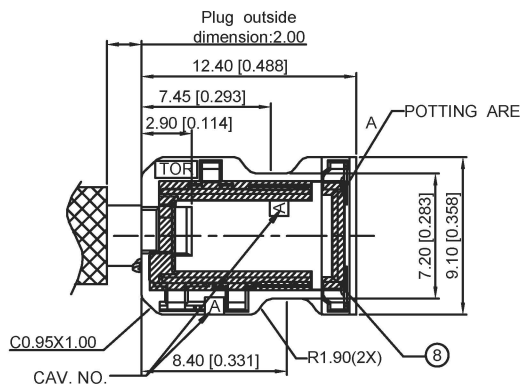


Ø3.50mm 4 POLE PLUG DETAIL DRAWING

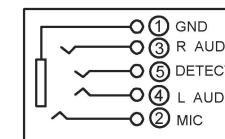
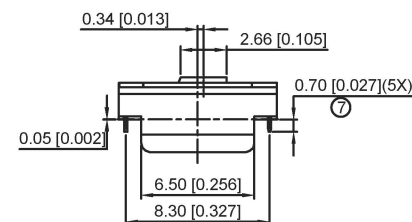


RECOMMENDED PCB LAYOUT (COMPONENT SIDE)

T=0.70mm, TOL:±0.05



3D VIEW



SCHEMATIC

NOTES:

- CONTACT CURRENT RATING: 1A;
- CONTACT RESISTANCE: 50 mΩ MAX;
- INSULATION RESISTANCE: 100MΩ MIN;
- DIELECTRIC WITHSTANDING: 500V AC MIN;
- DURABILITY: 10,000 CYCLES MIN;
- CONNECTOR MATING FORCES: 19.6N(2.00KgFMax);
- CONNECTOR UNMATING FORCES:
TEST BEFORE: 6.85~19.6N (0.70~2.00KgF);
TEST AFTER: 3.90~19.6N (0.40~2.00KgF);
- MARKED ⊗ DIMENSION SHOULD BE MEASURED BY FAI;
- MARKED ▼ DIMENSION SHOULD BE MEASURED BY QIP.

广东星坤科技股份有限公司

生	日期
效	

MARK	DESCRIPTION	DATE	REVISED	APPROVED	REVISIONS

文件工程章

www.helloxkb.com www.helloxkb.com www.helloxkb.com

DSND		DATE	SCALE: N/A	MODEL TYPE: 3.5 PHONE JACK
DWN		DATE	VIEW:	PART NO.:
CHKD		DATE	UNIT: mm/in	DWG NO.: PJ-3026
APPD		DATE	SIZE: A4	WEIGHT SHEET REVISION 1.0g 1/1 A0
XKB INDUSTRIAL PRECISION CO., LIMITED				

X-ON Electronics

Largest Supplier of Electrical and Electronic Components

Click to view similar products for [Circular DIN Connectors](#) category:

Click to view products by [XKB](#) manufacturer:

Other Similar products are found below :

[M83723/76W22326](#) [M83723/78R22327](#) [D38999/26FE99SN L/C](#) [75-069228-21J](#) [7519021610P](#) [75-190224-28S](#) [803000A09M040](#)
[FRCIR020R-18-19S](#) [FRCIR030FP-28-21S](#) [FRCIR030RFP-40A-38P-F80](#) [FRCIR06F-40A-38S-F80](#) [FRCIR06R-14S-6S](#) [FRCIR08CFZ-22-14S-F80](#) [88-569723-03P](#) [88-569735-06P](#) [88-569769-19P](#) [8R3006A18M0033](#) [GTC00G-24-7S](#) [PT05A-14-18SW\(023\)](#) [PT05A-14-5SX](#)
[PT05A1832SW](#) [PT05A2041SX](#) [GTC030-20-27PW-LC](#) [1211290078](#) [1211810025](#) [ACC06AF-20-23P\(003\)](#) [1210503216](#) [1211290084](#)
[ACS00F-16-10S\(003\)](#) [ACS06AF-16-10P\(003\)](#) [D38999/40FB35AN](#) [D38999/40FB35BB](#) [D38999/40WB35BN](#) [D38999/40WD35PN](#)
[D38999/40WJ29SN-L/C](#) [D38999/40WJ4BN](#) [D38999/42FB35BN](#) [D38999/42WB35AB](#) [D38999/42WB35PB-L/C](#) [D38999/42WJ19AN](#)
[D38999/42WJ24PN-L/C](#) [D38999/44WB35AN](#) [D38999/44WH21AN](#) [D38999/44WH35AN](#) [D38999/44WJ29BA](#) [D38999/44WJ35PN](#)
[D38999/44WJ61BA](#) [12DL6MX](#) [AFD54-10-6PN-6117 L/T](#) [AFD57-22-12S-6141](#)