

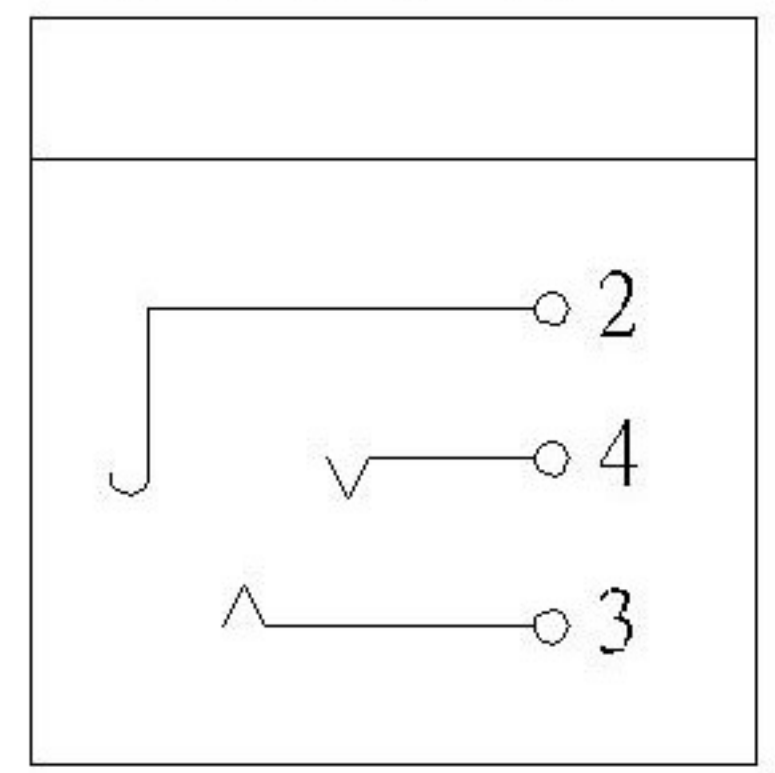
P.C.B LAYOUT MOUNTING PATTERN (TOP VIEW)

**SPECIFICATION**

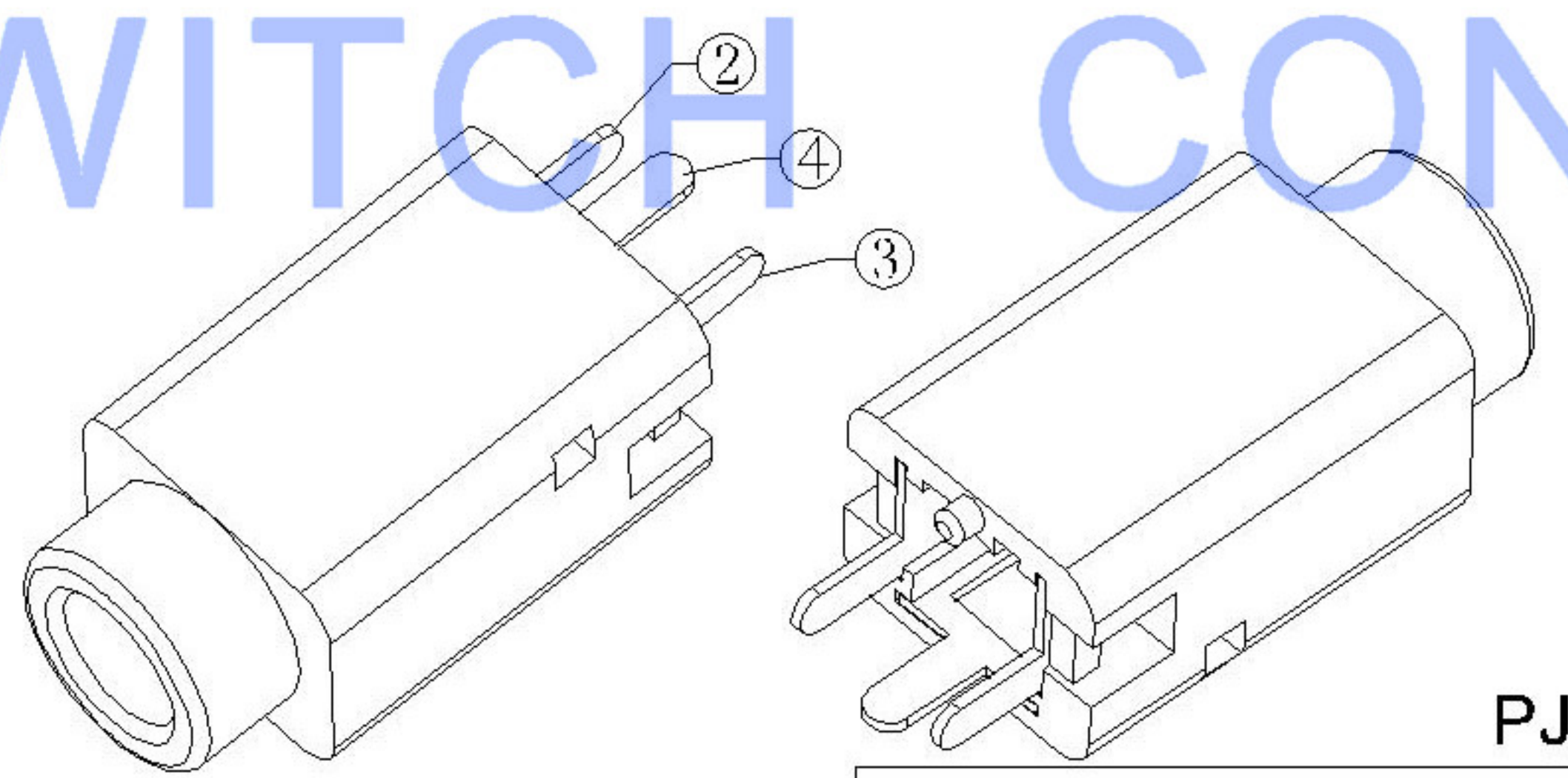
- 1.Rating : DC 30V 0.5A ;
- 2.Contact resistance :  $\leq 30m\Omega$  ;
- 3.Insulation resistance :  $\geq 100M\Omega$  ;
- 4.Withstand voltage : 500VAC ;
- 5.Insertion and extraction force : 3-20N
- 6.life test : 5,000 cycles °

ø3.50mm 3 POLE PLUG

**SCHEMATIC**



**SWITCH CONNECTOR**



PJ-3059-X

R:red G:green  
T:transparent Y:yellow B:black

NO	DESCRIPTION	QTY	MATFRIAL	REMARK
4	CONTACT FOOT	1	Phosphor Bronze	Ag-Plated
3	CONTACT FOOT	1	Phosphor Bronze	Ag-Plated
2	CONTACT FOOT	1	Phosphor Bronze	Ag-Plated
1	HOUSING	1	PBT	

DSND	DATE	SCALE: N/A	MODEL TYPE.
DWN	DATE	VIEW:	3.5 DIP PHONE JACK
CHKD	DATE	UNIT: mm	PART NO.:
APPD	DATE	SIZE: A4	DWG NO.: PJ-3059-X
XKB INDUSTRIAL PRECISION CO., LIMITED			WEIGHT 1.0g
			SHEET 1/1
			REVISION A0

MARK	DESCRIPTION	DATE	REVISED	APPROVED	UNSPECIFIED TOLERANCES
△ X					units: mm
△ X					tolerance: X.X ±0.2mm
△ X					X.XX ±0.1mm
					X.XXX ±0.05mm

## X-ON Electronics

Largest Supplier of Electrical and Electronic Components

*Click to view similar products for [Circular DIN Connectors](#) category:*

*Click to view products by [XKB](#) manufacturer:*

Other Similar products are found below :

[M83723/76W22326](#) [M83723/78R22327](#) [D38999/26FE99SN L/C](#) [75-069228-21J](#) [7519021610P](#) [75-190224-28S](#) [7547401103P](#) [75-474014-07L](#) [803000A09M040](#) [88-569723-03P](#) [88-569735-06P](#) [88-569769-19P](#) [8R3006A18M0033](#) [GTC00G-24-7S](#) [PT05A-14-18SW\(023\)](#) [PT05A-14-5SX](#) [PT05A1832SW](#) [PT05A2041SX](#) [GTC030-20-27PW-LC](#) [1211290078](#) [1211810025](#) [ACC06AF-20-23P\(003\)](#) [1210503216](#) [ACS06AF-16-10P\(003\)](#) [D38999/40FB35AN](#) [D38999/40FB35BB](#) [D38999/40WB35BN](#) [D38999/40WD35PN](#) [D38999/40WJ29SN-L/C](#) [D38999/40WJ4BN](#) [D38999/42FB35BN](#) [D38999/42WB35AB](#) [D38999/42WB35PB-L/C](#) [D38999/42WJ19AN](#) [D38999/42WJ24PN-L/C](#) [D38999/44WB35AN](#) [D38999/44WH21AN](#) [D38999/44WH35AN](#) [D38999/44WJ29BA](#) [D38999/44WJ35PN](#) [D38999/44WJ61BA](#) [12DL6MX](#) [AFD57-22-12S-6141](#) [MS3100R36-5S](#) [MS3101F20-18S](#) [MS3101R20-18S](#) [MS3101R20-7S](#) [MS310314S-5P](#) [MS310314S-6P](#) [MS3106E22-18S](#)