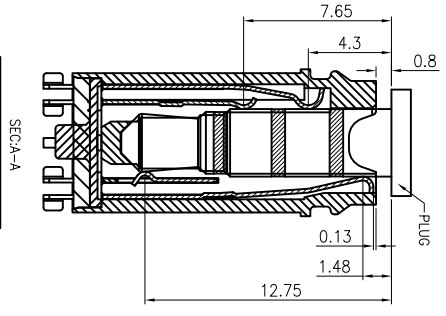
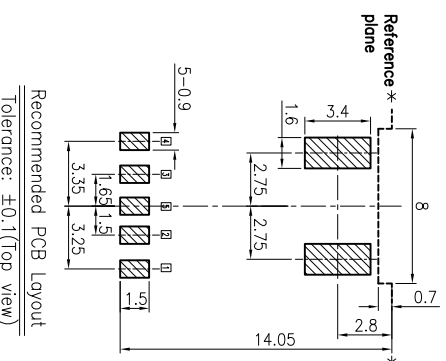
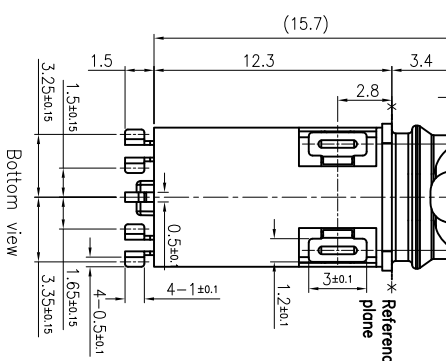
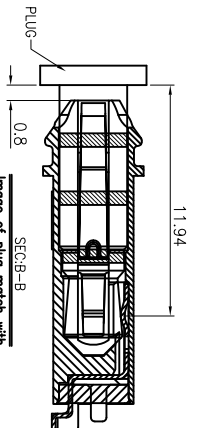
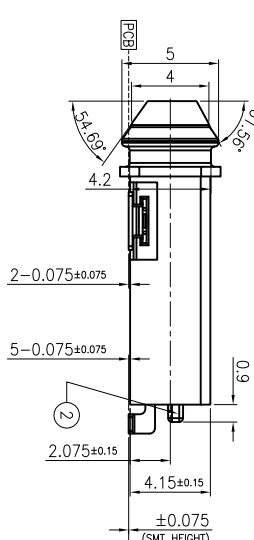
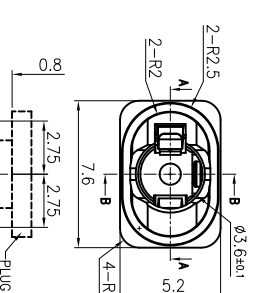


SPECIFICATIONS:

- INSULATION RESISTANCE: VOLTAGE OF 500V D.C. SHALL BE APPLIED TO THE TERMINALS, AFTER WHICH MEASUREMENT SHALL BE MADE. A GAUGE FOR THE MEASUREMENT SHALL BE USED THE INSULATED GAUGE.
- CONTACT RESISTANCE: 30mΩ OR LESS
- VOLTAGE PROOF: 500V AC FOR ONE MINUTE
- DURABILITY: 10,000 INSERTION/REMOVAL CYCLES (MINIMUM)
- INSERTION FORCE: 0.4KGF~2.0KGF
- WITHDRAWAL FORCE: 0.4KGF~2.0KGF
- WATER PROOFNESS: THIS PRODUCT IS CONFORM TO JIS STANDARD IPX7 BY WATERPROOF JACK
- USING PLUG: φ3.5MM, 4-POLE STEREO EARTHONE (LCH/RCH/SND/MIC)

PROVIDED THAT THEY CONFORM TO JIS C6560 9-0-RING ASSEMBLY AREA TO MAINTAIN SMOOTH, SHALL HAVE NO BURRS



UNLESS OTHERWISE SPECIFIED, TOLERANCE ON DECIMAL: ±0.2

ITEM	PART NAME	TERMINAL	QTY	MATERIAL	REMARK
①	HOUSING	---	1	PA9T(BLACK)	UL 94V-0
②	COVER	---	1	PA9T(BLACK)	UL 94V-0
③	EARTH SPRING	1	1	Ti-Cu t=0.2	tstkt(μm or moe)/znc/d(μm 0.05μm or moe)/P(μm)
④	TIP SPRING-1	1	1	Ti-Cu t=0.2	tstkt(μm or moe)/znc/d(μm 0.05μm or moe)/P(μm)
⑤	RING SPRING-1	1	1	Ti-Cu t=0.2	tstkt(μm or moe)/znc/d(μm 0.05μm or moe)/P(μm)
⑥	RING SPRING-2	1	1	Ti-Cu t=0.2	tstkt(μm or moe)/znc/d(μm 0.05μm or moe)/P(μm)
⑦	TIP SPRING-2	1	1	Ti-Cu t=0.2	tstkt(μm or moe)/znc/d(μm 0.05μm or moe)/P(μm)
⑧	TERMINAL	---	2	C2680 t=0.2	tstkt(μm or moe)/znc/d(μm 0.05μm or moe)/P(μm)
⑨	BOND	---	1	---	---

MARK	DESCRIPTION	DATE	REVISED	APPROVED	UNSPECIFIED TOLERANCES
ΔX					ANGULAR ±5°
ΔX					X.X ±0.2mm
ΔX					X.XX ±0.1mm
ΔX					X.XXX ±0.05mm
					DSND DATE SCALE: N/A MODEL TYPE: 3.5 PHONE JACK
					DWN DATE VIEW: PART NO.: PJ-3255A
					CHKD DATE UNIT: mm DWG NO.: PJ-3255A
					APPD DATE SIZE: A4 WEIGHT SHEET REVISION
					1.0g 1/1 A0

REVISIONS
www.xk-dg.com www.hellokobo.com www.hellokobo.com

IP-X7

X-ON Electronics

Largest Supplier of Electrical and Electronic Components

Click to view similar products for [HDMI, Displayport & DVI Connectors](#) category:

Click to view products by [XKB](#) manufacturer:

Other Similar products are found below :

[30-1231](#) [30-528](#) [30-504](#) [30-519](#) [33DVIR-24S1B](#) [47648-2000](#) [2002-400](#) [TC142X](#) [769-103/021-000](#) [RCP2500-AMP](#) [1932649-1](#)
[CP30200GM3](#) [67881](#) [HBLBH](#) [HBLBI](#) [HAFBG](#) [HAFBH](#) [HAGBF](#) [HAGBG](#) [HAGBJ](#) [HBLBJ](#) [AABIE](#) [AABIF](#) [AABIG](#) [AABIH](#) [AABIJ](#)
[AABIK](#) [AACBE](#) [AACBF](#) [AACBG](#) [ABIBF](#) [ABIBG](#) [ABIBH](#) [AACBH](#) [AACBI](#) [AACBJ](#) [AACBK](#) [AACBL](#) [AAIBD](#) [AAIBF](#) [AAIBI](#) [AANBJ](#)
[AAQBG](#) [AAQBH](#) [AAQBI](#) [AARBG](#) [AARBH](#) [AARBI](#) [AAXBD](#) [ABAAF](#)