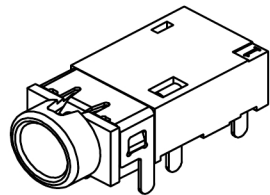
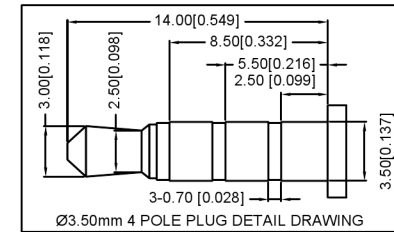
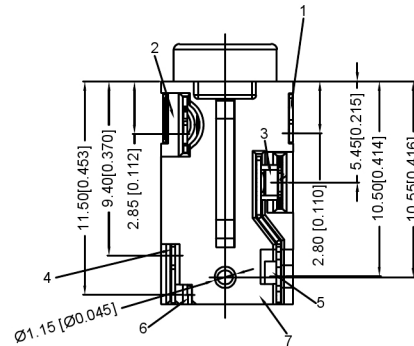


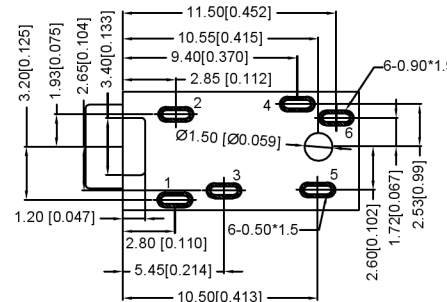
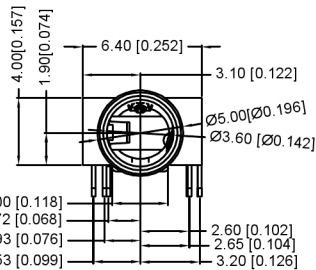
- 触点额定电流: 1A  
 1. CONTACT CURRENT RATING: 1A.  
 接触电阻: 最大50 mΩ  
 2. CONTACT RESISTANCE: 50 mΩ MAX.;  
 绝缘电阻: 100MΩMIN  
 3. INSULATION RESISTANCE: 100MΩ MIN..  
 耐介质: 500V AC最小值  
 4. DIELECTRIC WITHSTANDING: 500V AC MIN..  
 寿命: 至少5000次循环  
 5. DURABILITY: 5,000 CYCLES MIN..  
 接头配合力: 最大30N  
 6. CONNECTOR MATING FORCES: 30N MAX.  
 连接器未接合力: 3N MIN  
 7. CONNECTOR UNMATING FORCES: 3N MIN.;



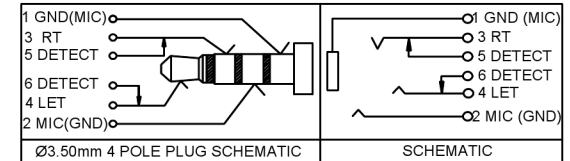
3D VIEW



Ø3.50mm 4 POLE PLUG DETAIL DRAWING



P.C.B LAYOUT TOP VIEW



Ø3.50mm 4 POLE PLUG SCHEMATIC

SCHEMATIC

ITEM	NAME	Q'TY	MATERIAL	DESCRIPTION
7	HOUSING	1	PA6T	
6	TERMINAL6	1	Phosphor Bronze	COPPER ALLOY; NICKEL UNDER PLATING OVERALL GOLD PLATING ON SOLDER AREA; GOLD PLATING ON CONTACT AREA
5	TERMINAL5	1	Phosphor Bronze	COPPER ALLOY; NICKEL UNDER PLATING OVERALL GOLD PLATING ON SOLDER AREA; GOLD PLATING ON CONTACT AREA
4	TERMINAL4	1	Phosphor Bronze	COPPER ALLOY; NICKEL UNDER PLATING OVERALL GOLD PLATING ON SOLDER AREA; GOLD PLATING ON CONTACT AREA
3	TERMINAL3	1	Phosphor Bronze	COPPER ALLOY; NICKEL UNDER PLATING OVERALL GOLD PLATING ON SOLDER AREA; GOLD PLATING ON CONTACT AREA
2	TERMINAL2	1	Phosphor Bronze	COPPER ALLOY; NICKEL UNDER PLATING OVERALL GOLD PLATING ON SOLDER AREA; GOLD PLATING ON CONTACT AREA
1	TERMINAL1	1	Phosphor Bronze	COPPER ALLOY; THE BOTTOM OF THE NICKEL THE WHOLE GOLD PLATING

DSND	SCALE: N/A	MODEL TYPE:
DWN	VIEW:	PART NO.: PJ-3420
CHKD	UNIT: mm/in	DWG NO.:
APPD	SIZE: A4	



XKB INDUSTRIAL PRECISION CO., LIMITED

WEIGHT	SHEET	REVISI
	1/1	A0

广东星坤科技股份有限公司

文件工程章

REVISIONS	DATE	REVISED	APPROVED	UNSPECIFIED TOLERANCES
ANGLAR				±5°
L ≤ 4				±0.2
4 < L ≤ 16				±0.3
16 < L ≤ 63				±0.4
L > 63				±0.5

## X-ON Electronics

Largest Supplier of Electrical and Electronic Components

*Click to view similar products for [Phone Connectors](#) category:*

*Click to view products by [XKB](#) manufacturer:*

Other Similar products are found below :

[R4F](#) [14412GX](#) [E12BPKG](#) [MT333X](#) [171-3302-EX](#) [NC3MG-V](#) [NP2RX-AU-SILENT-D](#) [JM2PB-AU BULK](#) [S2674](#) [280L](#) [RJ5VI-S](#) [TM1R-AU](#) [TM2PJ-AU](#) [TM2PJ-AU BULK](#) [TS3PBJ-AU](#) [TS3PBMJ-AU](#) [MP-101](#) [54B](#) [T10711](#) [MT334F](#) [NJ3FP6F-P](#) [NPX-PROMO](#) [JS3PB-AU BULK](#) [XMT332A](#) [114BPCSX](#) [CMT334B](#) [AA0-A4830-A00](#) [PJ-218](#) [PJ-320-3P SMT](#) [PJ-321A](#) [PJ-393-8P](#) [KH-PJ-327D-SMT](#) [PJ-320D](#) [PJ-624](#) [PJ-339](#) [PJ-3200B](#) [PJ-307B-1.3-01](#) [PJ-324](#) [PJ-324M](#) [PJ-313D](#) [PJ-313](#) [PJ-227](#) [PJ-343 Red](#) [PJ-3106AC1](#) [PJ-3505A](#) [PJ-321](#) [KH-PJ-307-5P](#) [PJ-389](#) [PJ-368-R](#) [PJ-31030](#)