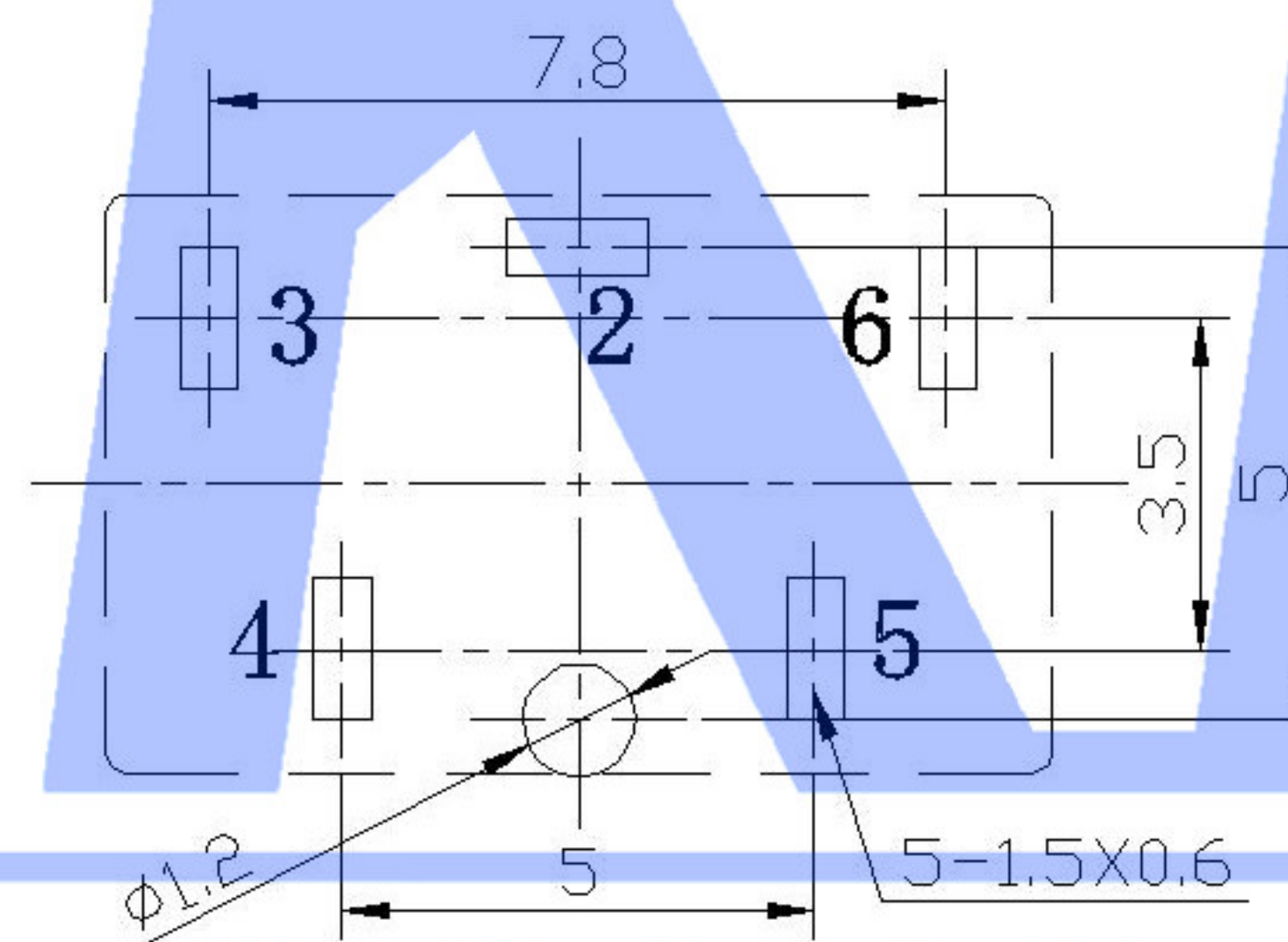
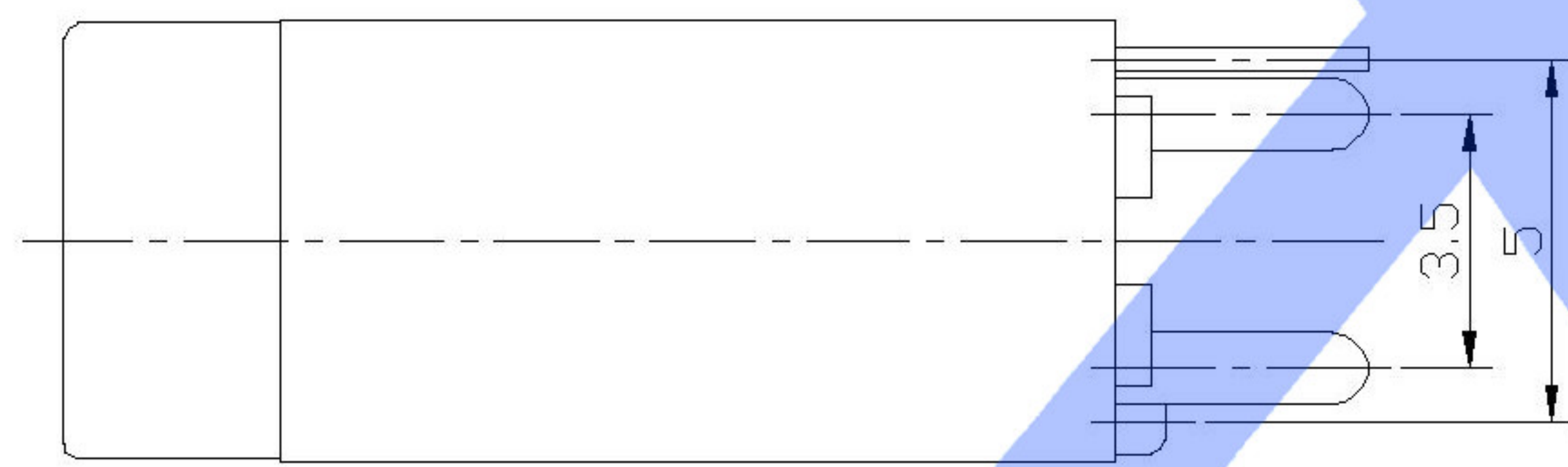


Temperature -20~70 C  
 Rated Load DC 30V 0.3A  
 Contact Resistance <math><0.03\Omega</math>  
 Insulation Resistance >100M $\Omega$   
 Withstand Voltage AC500V(50Hz)/min  
 Actuating Force 2.2~30N  
 Life 5000次



XKB

SWITCH CONNECTOR

|           |                 |          |
|-----------|-----------------|----------|
| Model No. | PJ-3582-        | PJ-3583- |
| Schematic |                 |          |
| color     | B:Black W:White |          |

|            | MATERIAL        | PLATING |
|------------|-----------------|---------|
| terminal 2 | Phosphor Bronze | silver  |
| terminal 3 | Phosphor Bronze | silver  |
| terminal 4 | Phosphor Bronze | silver  |
| terminal 5 | Phosphor Bronze | silver  |
| terminal 6 | Phosphor Bronze | silver  |
| plastic    | Pbt             |         |

|  |  |  |  |  |        |                     |                                      |  |      |  |            |                |       |          |
|--|--|--|--|--|--------|---------------------|--------------------------------------|--|------|--|------------|----------------|-------|----------|
|  |  |  |  |  | ANGLAR | $\pm 5^\circ$       | DSND                                 |  | DATE |  | SCALE: N/A | MODEL TYPE:    |       |          |
|  |  |  |  |  | X.X    | $\pm 0.2\text{mm}$  | DWN                                  |  | DATE |  | VIEW:      | 3.5 PHONE JACK |       |          |
|  |  |  |  |  | X.XX   | $\pm 0.1\text{mm}$  | CHKD                                 |  | DATE |  | UNIT: mm   | PART NO.:      |       |          |
|  |  |  |  |  | X.XXX  | $\pm 0.05\text{mm}$ | APPD                                 |  | DATE |  | SIZE: A4   | DWG NO.:       |       |          |
|  |  |  |  |  |        |                     | XKB INDUSTRIAL PRECISION CO.,LIMITED |  |      |  |            | PJ-358X-X      |       |          |
|  |  |  |  |  |        |                     |                                      |  |      |  |            | WEIGHT         | SHEET | REVISION |
|  |  |  |  |  |        |                     |                                      |  |      |  |            | 1.0g           | 1/1   | A0       |

## X-ON Electronics

Largest Supplier of Electrical and Electronic Components

*Click to view similar products for [HDMI, Displayport & DVI Connectors](#) category:*

*Click to view products by [XKB](#) manufacturer:*

Other Similar products are found below :

[1775247-3](#) [2-1932649-5](#) [30-1231](#) [30-528](#) [2069485-1](#) [30-504](#) [30-519](#) [30-542](#) [47648-2000](#) [2002-400](#) [1453G1](#) [769-103/021-000](#) [1932649-1](#)  
[233-368NFG6-17NH](#) [G45A19071083HR](#) [233-360NF00-17NH](#) [CP30200GM3B](#) [HYC02-DVI29-371](#) [P136-06NHDV4KBP](#) [CP30116](#)  
[LTWDID-29PFFS-SL8001](#) [46765-1301](#) [1211-0010-201-001](#) [47271-1004](#) [32-1121-BU](#) [DS1117-BN0-TME-002](#) [MHDR2A11004BP](#)  
[EHHDMI2PKG](#) [1903015-3](#) [DS1114-BN0](#) [WPUSBAF](#) [500254-1931](#) [UAD011FM](#) [HDMR-19-01-F-SM](#) [47151-1071](#) [1747981-1](#) [0480372000](#)  
[0482580001](#) [D121073-19](#) [472710111](#) [HDMI-S-RA6-SMT-MF-15](#) [P142-000-UP](#) [P134-003](#) [P120-08N](#) [KDMIX-FS1V-WS-B](#) [P142-000-UD](#)  
[P132-000](#) [P130-000](#) [P142-06N-MICRO](#) [P142-000-MINI](#)